

Mechanical Valve

**FESCOLO**

FESCOLO PNEUMATIC CO., LTD.

Sales Manager: Jeffrey Bu

Mobile: +86 0 150 5749 1870

E-mail: sales@fescolo.com

WhatsApp: +86 0 15057491870

NO. 98 Tiangao Lane, Yinzhou, Ningbo, Zhejiang, China.

Headquarter

Tel.: +86 574 89258005

Email: info@fescolo.com

Web.: www.fescolo.com



Fescolo Pneumatic



Company Profile

Fescolo Pneumatic, established in 2001, is a professional developer and manufacturer of customized cylinders and solenoid valves. We have an excellent R&D technical team, more than 200 sets of equipment, an annual production value of more than 10 million US dollars, and have 100+ employees, including 4 technical engineers and 8 technicians so far.

Our main product range consists of various standard cylinders, non-standard customized cylinders, standard solenoid valves, non-standard customized solenoid valves, 2/2 ways electromagnetic valves, air source treatment units, angle seat valves, air hose and tube fittings. Widely applied in industrial automation, robotic arms, medical treatment, sanitary ware, food machinery, automobile manufacturing and other scientific and technological industries.

If you are looking for non-standard customized cylinders and valves, if you encounter problems in pneumatic system, congratulations, we are just the exact supplier you need. Product customization and ODM are our core competencies. We are in a leading position on projects of customized cylinders and solenoid valves. We can also customize product labels, special inner and outer packaging for you. All our products include a one-year or six-month warranty. Most standard products are available in stock and can be shipped within 3-15 days after you place an order. Fescolo Pneumatic, looks forward to your cooperation sincerely!

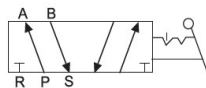
CONTENTS

-  4H Series Hand Valve 04
-  4F Series Foot Valve 06
-  4R,3R Series Hand-draw Valve 09
-  KA Series Check Valve 12
-  CV Series Check Valve 14
-  HSV Series Hand Sliding Valve 16
-  ST Series Shuttle Valve 18
-  ASC Series Flow Control Valve 20
-  RE Series Flow Control Valve 22
-  KLA Series Flow Control Check Valve 24
-  QE Series Quick Exhaust Valve 26
-  XQ Series Quick Exhaust Valve 28
-  MOV Series Mechanical Valve 30
-  JM Series Mechanical Valve 32
-  MSV Series Mechanical Valve 34
-  4HV Series Hand-Switching Valve 38
-  HV, HV400 Series Hand-Switching Valve 40
-  K34R6 Series Hand-Switching Valve 42
-  FV320, FV420 Series Foot Valve 44
-  Ball Valve 47

4H Series Hand Valve



4H210-08



1. Ordering Code :

Hand valve type 4H: 4H Series hand-pull valve	Button type 2: 200 Series 3: 300 Series 4: 400 Series	Specification Code 10: Two positions five ways 30: Three positions five ways	Port size 06: G1/8 10: G3/8 08: G1/4 15: G1/2	Type code Blank: Three positions five ways Reset Type L: Three positions five ways Locking Type
---	---	---	--	--

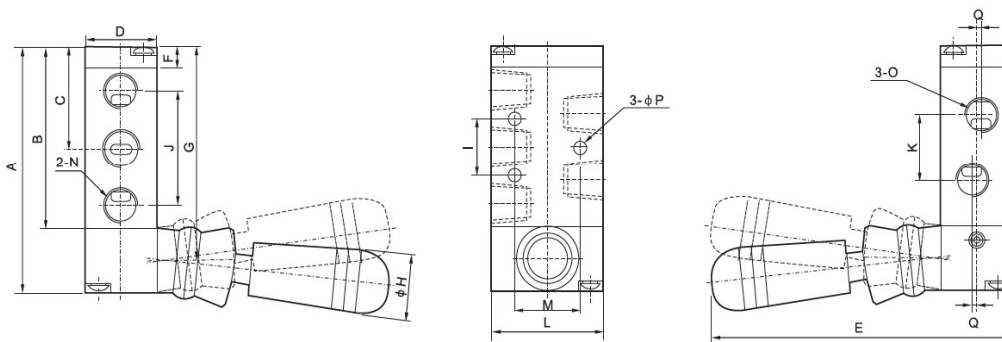
2.Characteristics:

- 1) 4H Series hand-pull valve is with high response and stability nature.
- 2) There are two motion pattern, single-head double-position and single-head three position
- 3) 5/2ways and 3/2ways are available.
- 4) Various working style is available.
- 5) Lock type and spring return type are available.

3.Specification:

Item	4H210-06	4H210-08	4H230-08	4H310-08	4H310-10	4H330-10	4H410-15	4H430-15
Applicable medium	≤40μ Filtered Air							
Motion pattern	Direct drive type							
Working pressure	0~1.0 MPa							
Proof Pressure	1.2MPa							
Temperature range	NBR: 0°C ~60°C							
Port size	Inlet and outlet	G1/8	G1/4	G1/4	G1/4	G3/8	G3/8	G1/2
	Exhaust port	G1/8	G1/4	G1/4	G1/4	G1/4	G1/4	G1/2
Effective section area (mm ²)	14	16	12	25	30	30	50	50
Cv Value	0.78	0.89	0.67	1.4	1.68	1.68	2.79	2.79

4. Overall and Dimension Sheet:



Symbol/Model	A	B	C	D	E	F	G	H	I	J	K	L	M	N	O	P	Q
4H210-06	76	56.5	31.5	22	95	6.5	66.5	18	20	36	21	35	21	G1/8"	G1/8"	4.3	-
4H230-06	76	56.5	31.5	22	95	6.5	66.5	18	20	36	21	35	21	G1/8"	G1/8"	4.3	-
4H230-06(Automatic Reset)	95	75.5	31.5	22	95	6.5	85.5	18	20	36	21	35	21	G1/8"	G1/8"	4.3	-
4H210-08	76	56.5	31.5	22	95	6.5	66.5	18	20	36	21	35	21	G1/8"	G1/4"	4.3	1.5
4H230-08L	76	56.5	31.5	22	95	6.5	66.5	18	20	36	21	35	21	G1/8"	G1/4"	4.3	1.5
4H230-08(Automatic Reset)	95	75.5	31.5	22	95	6.5	85.5	18	20	36	21	35	21	G1/8"	G1/4"	4.3	1.5
4H310-08	92	72.5	40	27	100	7.5	82.5	18	24	45	24	40	27	G1/4"	G1/4"	4.3	-
4H310-10	92	72.5	40	27	100	7.5	52.5	18	24	45	24	40	27	G1/4"	G3/8"	4.3	2
4H410-15	126	102	55.5	34	100	7.5	114	18	28	63	36	50	35	G1/2"	G1/2"	5.5	-

4F Series Foot Valve

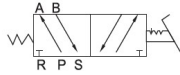
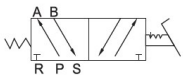


4F210-08L

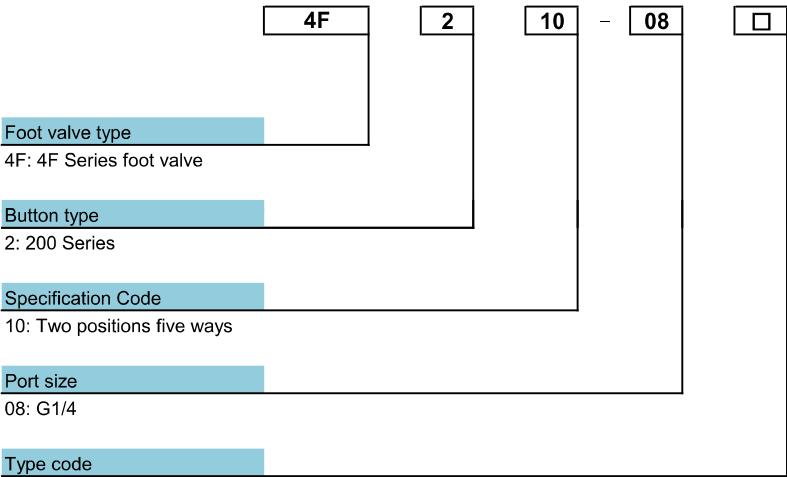
4F210-08

4F210-08G

4F210-08LG



1.Ordering Code :



Foot valve type
4F: 4F Series foot valve

Button type
2: 200 Series

Specification Code
10: Two positions five ways

Port size
08: G1/4

Type code
Blank: standard type
L: with lock
G: with cover
LG: with lock and cover

2.Characteristics:

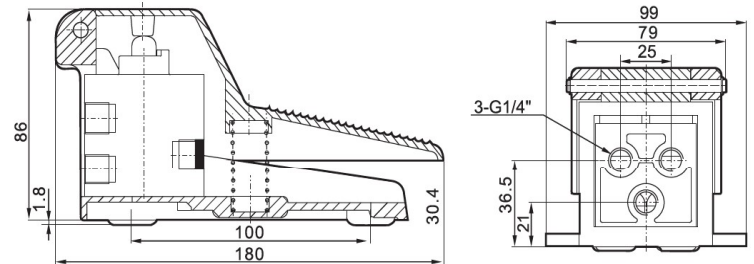
- 1) 4F Series foot valve is with high response and stability nature.
- 2) There are two motion pattern, single-head double-position and single-head three position
- 3) There are with lock and guard cover type available.
- 4) Various working style is available.

3.Specification:

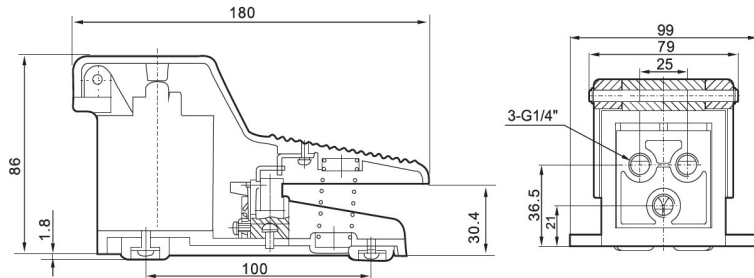
Item	4F210-08	4F210-08L	4F210-08G	4F210-08LG
Applicable medium	≤40μ Filtered Air			
Motion patten	Direct drive type			
Valve type	two positions five ways			
Working pressure	0.15~0.9MPa			
Proof Pressure	1.0MPa			
Temperature range	NBR: 0°C~60°C			
Port size	Inlet and outlet	G1/4		
	Exhaust port	G1/4		

4. Overall and Dimension Sheet:

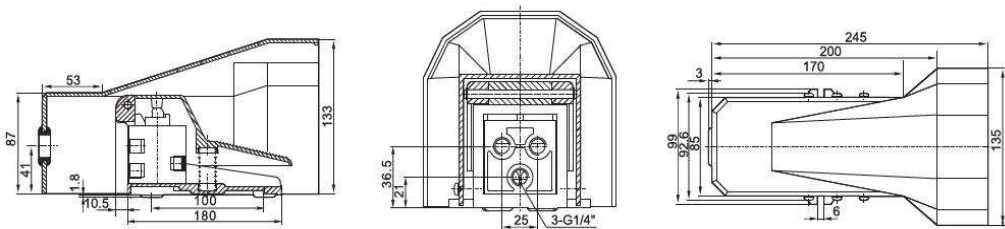
4F210-08



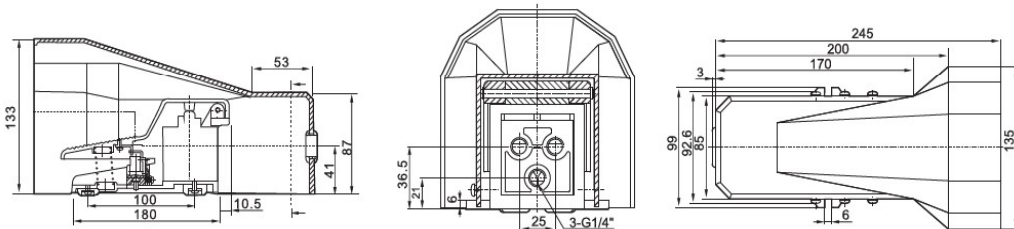
4F210-08L



4F210-08G



4F210-08LG



4R,3R Series Hand-draw Valve

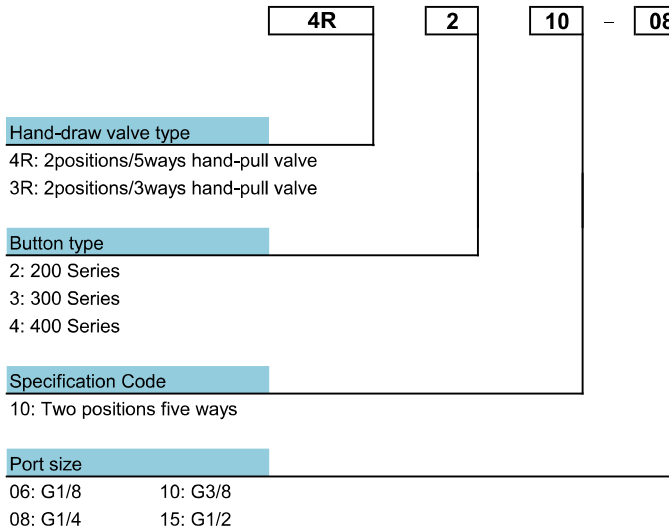


3R210-06



4R210-08

1. Ordering Code :



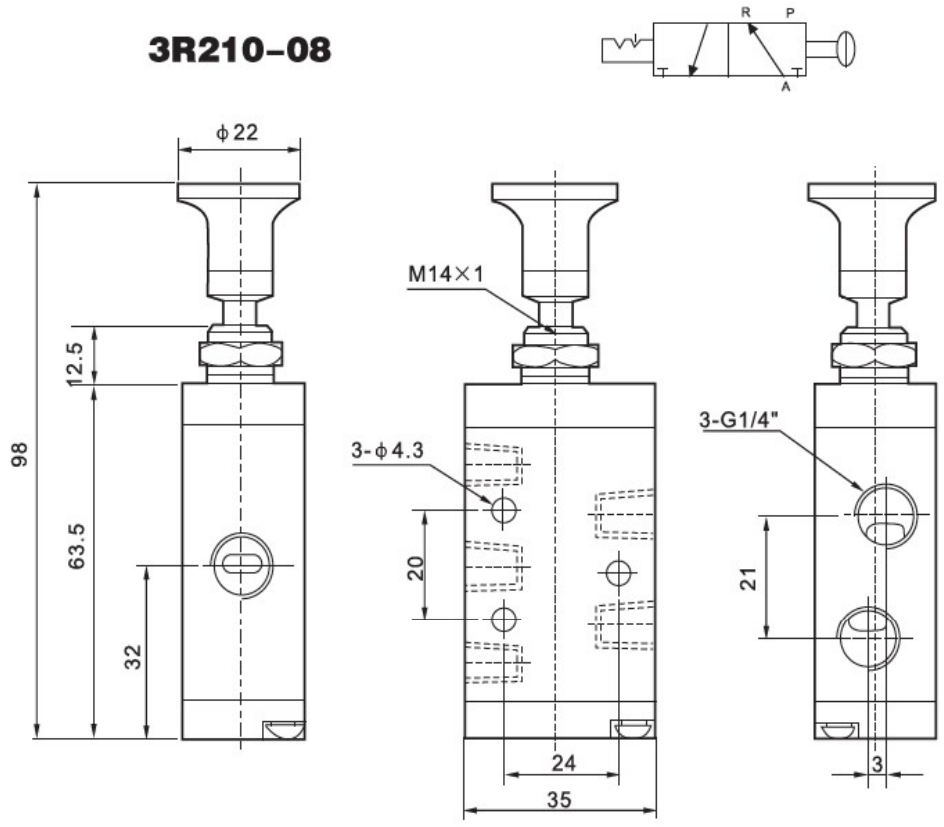
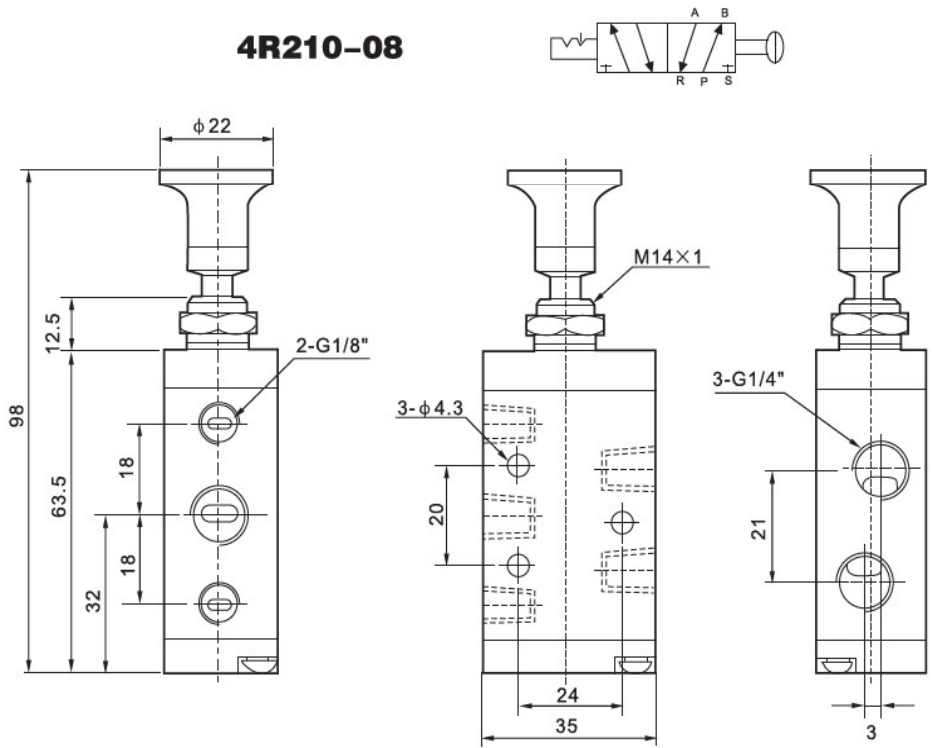
2.Characteristics:

- 1) 4R Series hand-draw valve is with high response and stability nature.
- 2) Different thread types can be offered according to customers' requirements, e.g.: PT, NPT etc.
- 3) 5/2ways and 3/2ways are available.
- 4) Various working style is available.

3.Specification:

Item	4R210-06	4R210-08	4R310-10	4R410-15	3R210-06	3R210-08	3R310-10	3R410-15	
Applicable medium	≤40μ Filtered Air								
Motion pattern	Direct drive type								
Working pressure	0~1.0 MPa								
Proof Pressure	1.2MPa								
Temperature range	NBR: 0°C ~60°C								
Port size	Inlet and outlet	G1/8	G1/4	G3/8	G1/2	G1/8	G1/4	G3/8	G1/2
	Exhaust port	G1/8	G1/8	G1/4	G1/2	G1/8	G1/4	G3/8	G1/2
Lubrication	Not required								

4. Overall and Dimension Sheet:



KA Series Check Valve

1. Ordering Code :

KA - 08

Valve type

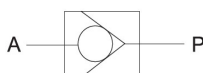
KA: KA series check valve

Port size

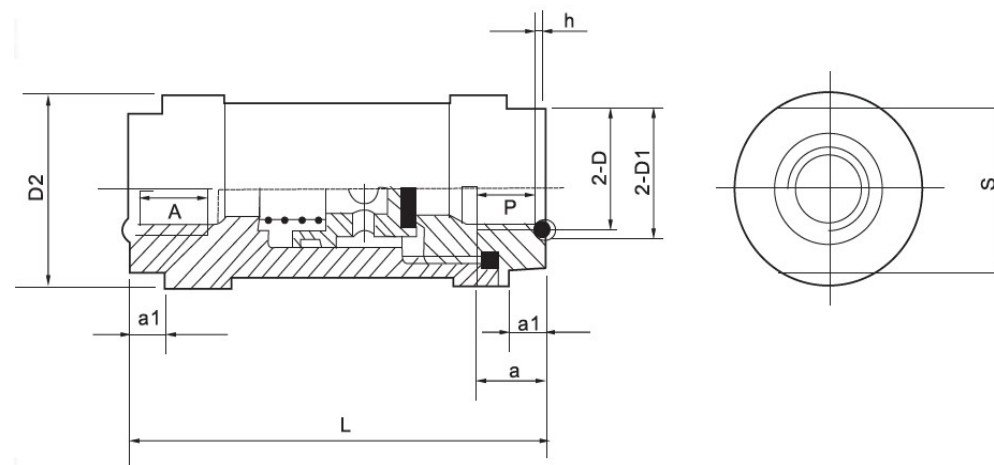
- 06: G1/8
- 08: G1/4
- 10: G3/8
- 15: G1/2
- 20: G3/4
- 25: G1
- 32: G1 1/4
- 40: G1 1/2
- 50: G2



KA-08



4. Overall and Dimension Sheet:



2.Characteristics:

- 1) The KA series check valve is unidirectional control element.
- 2) When passing the valve, the working medium can only flow along a given direction.
- 3) In operation, when the medium pressure direction changes, the valve functions to stop the return of the medium in the system.
- 4) Different thread types can be offered according to customers' requirements, e.g.: PT, NPT etc.

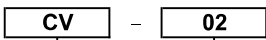
3.Specification:

Item	KA-06	KA-08	KA-10	KA-15	KA-20	KA-25	KA-32	KA-40
Applicable medium	≤40μ Filtered Air							
Motion pattern	Direct drive type							
Working pressure	0.05~0.8 MPa							
Proof Pressure	1.0MPa							
Temperature range	NBR: 0℃~55℃							
Port size	G1/8	G1/4	G3/8	G1/2	G3/4	G1	G1-1/4	G1-1/2
Circulating ability	10	20	40	60	110	190	300	400
Startup ability	≤0.03 MPa							
Leak out flow(cm ³ /min)	50	50	120	120	250	250	500	500
Respond time	0.03 seconds							

Model	Joint Pipe Code	D	D1	D2	S	L	a	a1	h
KA- 3	3	M6×1	Φ9	Φ15	12	36	6	5	1.4 ⁰ _{-0.1}
KA- 6	6	G1/8 M10×1	Φ13	Φ28	24	64	10	6	1.4 ⁰ _{-0.1}
KA- 8	8	G1/4 M12×1.5	Φ16	Φ28	24	64	12	6	1.4 ⁰ _{-0.1}
KA- 10	10	G3/8 M16×1.5	Φ20	Φ40	36	86	14	10	1.8 ⁰ _{-0.1}
KA- 15	15	G1/2 M20×1.5	Φ26	Φ40	36	86	14	10	1.8 ⁰ _{-0.1}
KA- 20	20	G3/4 M27×2	Φ32	Φ55	46	112	21	12	1.8 ⁰ _{-0.1}
KA- 25	25	G1 M33×2	Φ40	Φ55	46	112	23	12	2.7 ⁰ _{-0.12}
KA- 32	32	G1 1/4 M42	Φ48	Φ88	75	161	25	22	2.7 ⁰ _{-0.12}
KA- 40	40	G1 1/2 M48×2	Φ54	Φ88	75	161	26	26	2.7 ⁰ _{-0.12}
KA- 50	50	G2 M60×2	Φ70	Φ100	90	95	26	26	4.5 ⁰ _{-0.18}

CV Series Check Valve

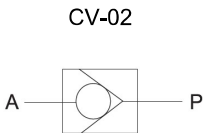
1. Ordering Code :



Valve type
CV: CV series check valve

Port size

- 01: G1/8
- 02: G1/4
- 03: G3/8
- 04: G1/2



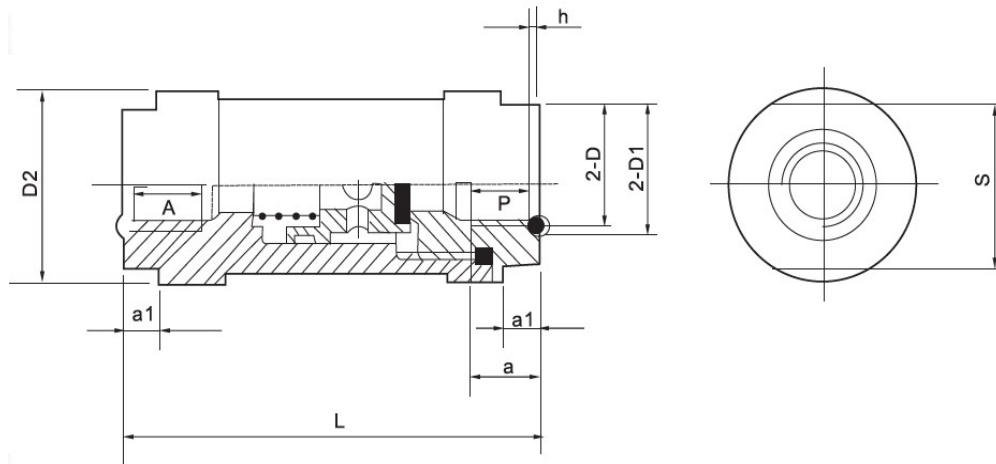
2.Characteristics:

- 1) The CV series check valve is unidirectional control element.
- 2) When passing the valve, the working medium can only flow along a given direction.
- 3) In operation, when the medium pressure direction changes, the valve functions to stop the return of the medium in the system.
- 4) Different thread types can be offered according to customers' requirements, e.g.: PT, NPT etc.

3.Specification:

Item	CV-01	CV-02	CV-03	CV-04
Applicable medium	Compressed air			
Working pressure	0.05~1.2 MPa			
Temperature range	-5°C~60°C			
Port size	G1/8	G1/4	G3/8	G1/2
Leak out flow(cm ³ /min)	≤45	≤60	≤80	≤95

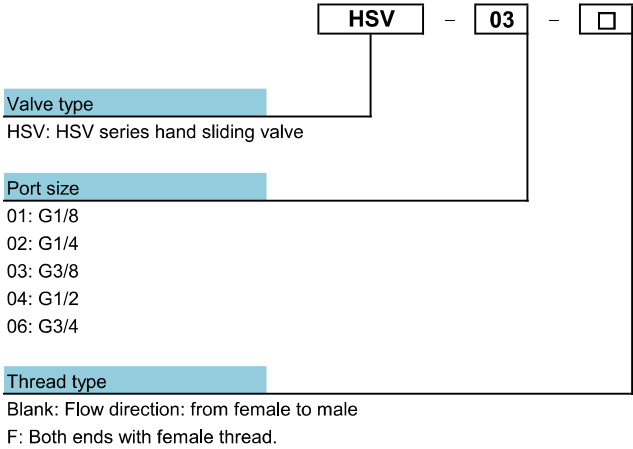
4. Overall and Dimension Sheet:



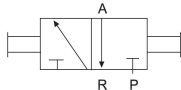
Model	Joint Pipe Code	D	D1	D2	S	L	a	a1	h
KA- 3	3	M6×1	Φ9	Φ15	12	36	6	5	1.4 ⁰ _{-0.1}
KA- 6	6	G1/8 M10×1	Φ13	Φ28	24	64	10	6	1.4 ⁰ _{-0.1}
KA- 8	8	G1/4 M12×1.5	Φ16	Φ28	24	64	12	6	1.4 ⁰ _{-0.1}
KA-10	10	G3/8 M16×1.5	Φ20	Φ40	36	86	14	10	1.8 ⁰ _{-0.1}
KA-15	15	G1/2 M20×1.5	Φ26	Φ40	36	86	14	10	1.8 ⁰ _{-0.1}
KA-20	20	G3/4 M27×2	Φ32	Φ55	46	112	21	12	1.8 ⁰ _{-0.1}
KA-25	25	G1 M33×2	Φ40	Φ55	46	112	23	12	2.7 ⁰ _{-0.12}
KA-32	32	G1 1/4 M42	Φ48	Φ88	75	161	25	22	2.7 ⁰ _{-0.12}
KA-40	40	G1 1/2 M48×2	Φ54	Φ88	75	161	26	26	2.7 ⁰ _{-0.12}
KA-50	50	G2 M60×2	Φ70	Φ100	90	95	26	26	4.5 ⁰ _{-0.18}

HSV Series Hand Sliding Valve

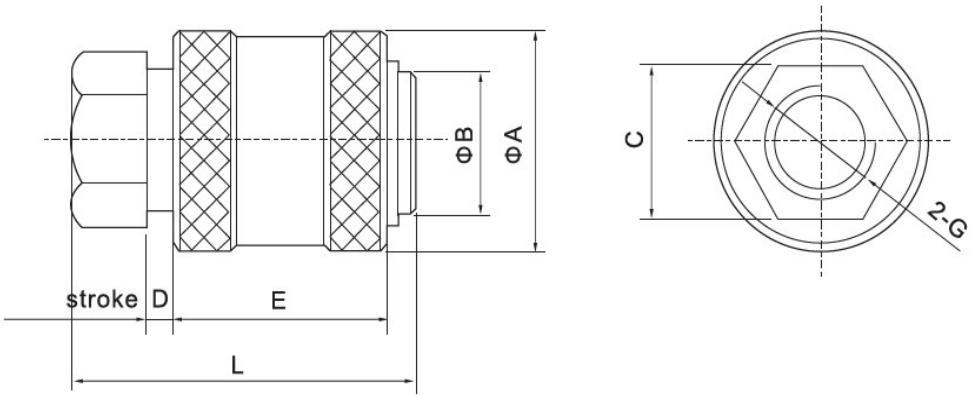
1. Ordering Code :



HSV-03



4. Overall and Dimension Sheet:



Model	A	B	C	D	E	L	G
HSV-01	20	13	14	3	20	32	G1/8
HSV-02	27	18	19	5	32	48	G1/4
HSV-03	30	21	22	5	32	48	G3/8
HSV-04	38	24	27	10	40	70	G1/2
HSV-06	45	32	34	10	45	75	G3/4

2.Characteristics:

- 1) The HSV series hand sliding valve is a two-position three-way valve, which is usually installed in the piping to turn on/off air.
- 2) When it is turned off, the air pressure in the pneumatic system is exhausted simultaneously.
- 3) Different thread types can be offered according to customers' requirements, e.g.: PT, NPT etc.

3.Specification:

Item	HSV-01	HSV-02	HSV-03	HSV-04	HSV-06
Applicable medium	Filtered compressed air				
Working pressure	0~1.0 MPa				
Temperature range	5°C~60°C				
Port size	G1/8	G1/4	G3/8	G1/2	G3/4
Orifice (mm)	4	7	10	12	18
Working force	20N			30N	

ST Series Shuttle Valve

1. Ordering Code :

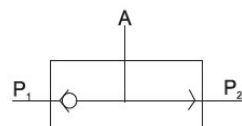


Valve type
ST: ST series shuttle valve

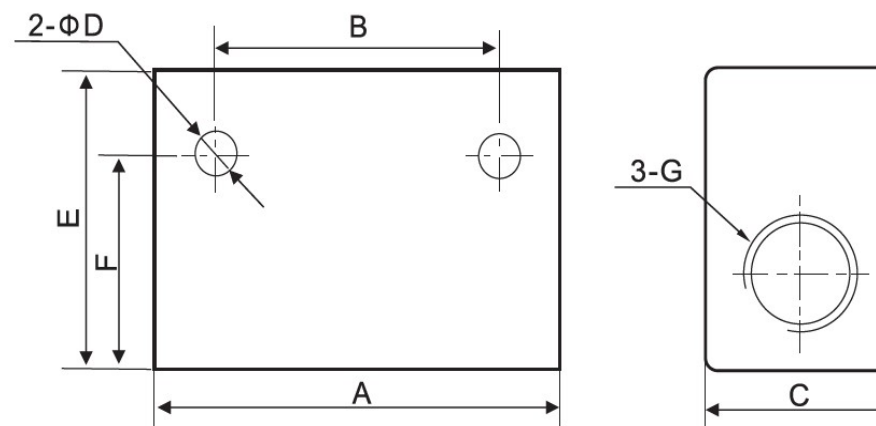
Port size
01: G1/8
02: G1/4
03: G3/8
04: G1/2
06: G3/4
08: G1



ST-02



4. Overall and Dimension Sheet:



Model	A	B	C	D	E	F	G
ST-01	40	24	16	4.5	25	20.5	G1/8"
ST-02	50	35	22	5.5	35	25	G1/4"
ST-03	75	48	30	7	50	42	G3/8"
ST-04	75	48	30	7	50	42	G1/2"
ST-06	110	72	40	7	70	58	G3/4"
ST-08	110	72	40	7	70	58	G1"

2.Characteristics:

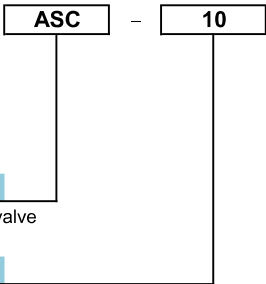
- 1) The ST series shuttle valve is a type of valve which allows fluid to flow through it from one of two sources.
- 2) Generally this kind of shuttle valve is used in pneumatic systems
- 3) Different thread types can be offered according to customers' requirements, e.g.: PT, NPT etc.

3.Specification:

Item	ST-01	ST-02	ST-03	ST-04	ST-06	ST-08
Applicable medium	Filtered compressed air					
Working pressure	0~1.0 MPa					
Temperature range	-5°C~60°C					
Port size	G1/8	G1/4	G3/8	G1/2	G3/4	G1
Effective sectional area	7.5mm ²	21mm ²	40mm ²	60mm ²	110mm ²	190mm ²

ASC Series Flow Control Valve

1. Ordering Code :

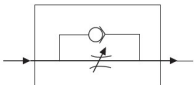


Valve type
ASC: ASC series flow control valve

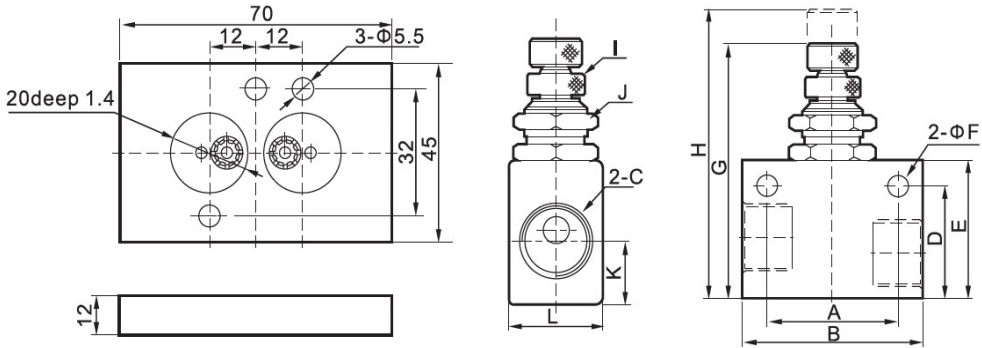
Port size
06: G1/8
08: G1/4
10: G3/8
15: G1/2



ASC-10



4. Overall and Dimension Sheet:



Model	A	B	C	D	E	F	G	H	I	J	K	L
ASC-06	22	32	G1/8	22	27	4.3	49.7	56.5	M6×0.5	M12×0.75	12	18
ASC-08	26	36	G1/4	22	27	4.3	49.7	56.5	M6×0.5	M12×0.75	12	18
ASC-10	28	40	G3/8	25	30	4.3	52.7	59.5	M6×0.5	M12×0.75	13	22
ASC-15	28	40	G1/2	30	35	4.3	58.7	65.5	M6×0.5	M12×0.75	13.5	26

2.Characteristics:

- 1) The ASC series flow control valve is a type of valve which regulates the flow or pressure of a fluid.
- 2) They normally respond to signals generated by independent devices such as flow meters or temperature gauges.
- 3) Different thread types can be offered according to customers' requirements, e.g.: PT, NPT etc.

3.Specification:

Item	ASC-06	ASC-08	ASC-10	ASC-15
Applicable medium	Filtered compressed air			
Working pressure	0~0.95 MPa			
Temperature range	0°C~60°C			
Port size	G1/8	G1/4	G3/8	G1/2

RE Series Flow Control Valve

1. Ordering Code :

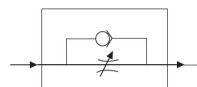


Valve type
RE: RE series flow control valve

Port size
01: G1/8
02: G1/4
03: G3/8
04: G1/2



RE-02



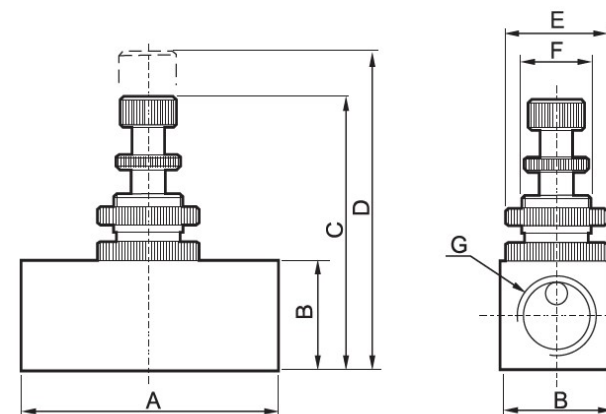
2.Characteristics:

- 1) The RE series flow control valve is a type of valve which regulates the flow or pressure of a fluid.
- 2) They normally respond to signals generated by independent devices such as flow meters or temperature gauges.
- 3) Different thread types can be offered according to customers' requirements, e.g.: PT, NPT etc.

3.Specification:

Item	RE-01	RE-02	RE-03	RE-04
Applicable medium	Filtered compressed air			
Working pressure	0~0.95 MPa			
Temperature range	0°C~60 °c			
Port size	G1/8	G1/4	G3/8	G1/2

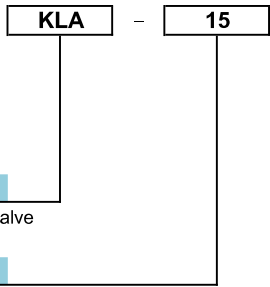
4. Overall and Dimension Sheet:



Model	A	B	C	D	E	F	G
RE-01	45	19	43	50	Φ19	M14×1	G1/8
RE-02	45	19	43	50	Φ19	M14×1	G1/4
RE-03	55	25	55	62	Φ25	M18×1	G3/8
RE-04	55	25	55	62	Φ25	M18×1	G1/2

KLA Series Flow Control Check Valve

1. Ordering Code :

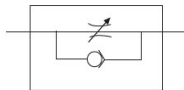


Valve type
KLA: KLA series flow control valve

Port size
06: G1/8
08: G1/4
10: G3/8
15: G1/2



KLA-15



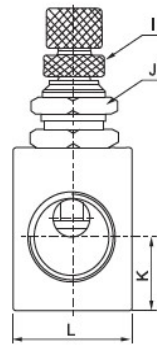
2.Characteristics:

- 1) The KLA series flow control valve is a type of check valve which regulates the flow or pressure of a fluid.
- 2) They normally respond to signals generated by independent devices such as flow meters or temperature gauges.
- 3) Different thread types can be offered according to customers' requirements, e.g.: PT, NPT etc.

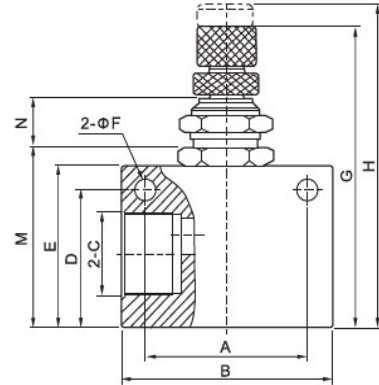
3.Specification:

Item	KLA-06	KLA-08	KLA-10	KLA-15	
Applicable medium	Filtered compressed air				
Working pressure	0.5~0.95 MPa				
Proof pressure	1.5 MPa				
Temperature range	-5°C~60°C				
Port size	G1/8	G1/4	G3/8	G1/2	
Material of body	Aluminum alloy				
Flow rate	Check valve	200 L/min	450 L/min	1250 L/min	1650 L/min
	One-way valve	400 L/min	800 L/min	1500 L/min	2000 L/min

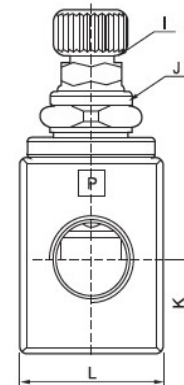
4. Overall and Dimension Sheet:



KLA-06

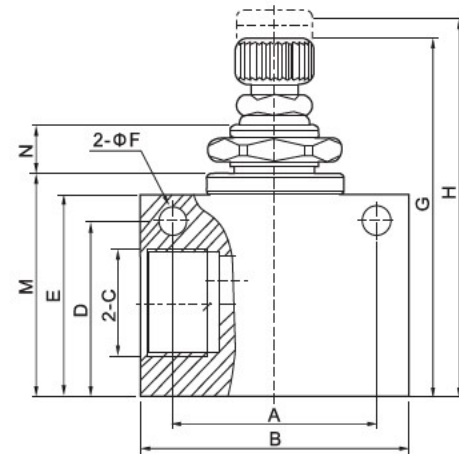
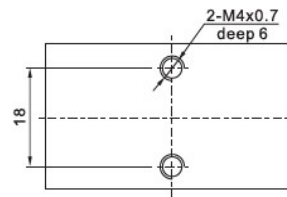


KLA-08



KLA-10

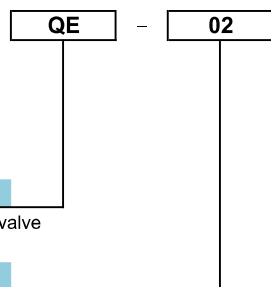
KLA-15



Model	A	B	C	D	E	F	G	H	I	J	K	L	M	N
KLA-06	22	32	PT1/8	18	23	4.3	46.8	52.3	M6×0.5	M12×0.75	10	18	26	8.6
KLA-08	26	36	PT1/4	23	27	4.3	50.8	56.3	M6×0.5	M12×0.75	13.5	18	30	8.6
KLA-10	35	50	G3/8	32	37	5.3	65	74	M8×0.75	M16×1	17.5	28	40.5	10.2
KLA-15	35	50	G1/2	32	37	5.3	65	74	M8×0.75	M16×1	17.5	28	40.5	10.2

QE Series Quick Exhaust Valve

1. Ordering Code :

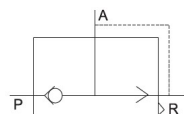


Valve type
QE: QE series quick exhaust valve

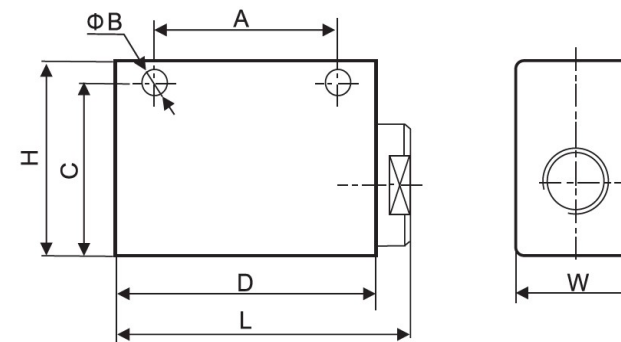
Port size
01: G1/8
02: G1/4
03: G3/8
04: G1/2



QE-02



4. Overall and Dimension Sheet:



Model	Bore	L	W	H	A	B	C	D
QE-01	G1/8	46	20	32	30	4.3	27	40
QE-02	G1/4	62	25	40	39	5.6	33.5	55
QE-03	G3/8	62	25	40	39	5.6	33.5	55
QE-04	G1/2	98	38	64	60	8.5	51	90
QE-06	G3/4	98	38	64	60	8.5	51	90

2.Characteristics:

- 1) The QE series quick exhaust valve is generally installed on the pipeline between the cylinder and reversal valve and near cylinder, which directly discharge the air from cylinder without passing the reversal valve and thus to achieve the goal of fast reversion of cylinder
- 2) The effect on improving cylinder speed is especially obvious.
- 3) Different thread types can be offered according to customers' requirements, e.g.: PT, NPT etc.

3.Specification:

Item	QE-01	QE-02	QE-03	QE-04	QE-06
Applicable medium	Filtered compressed air				
Working pressure	0~0.95 MPa				
Temperature range	0°C~60°C				
Port size	G1/8	G1/4	G3/8	G1/2	G3/4
Effective sectional area	16mm ²	27.5mm ²	38mm ²	71mm ²	72.5mm ²

XQ Series Quick Exhaust Valve

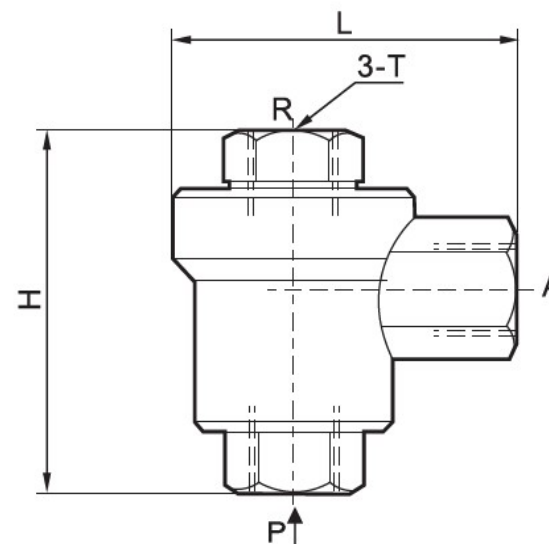
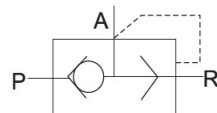
4. Overall and Dimension Sheet:

1. Ordering Code :

XQ17 - 08

Valve type
QE: QE series quick exhaust valve

Port size
06: G1/8
08: G1/4
10: G3/8
15: G1/2



2.Characteristics:

- 1) The XQ series quick exhaust valve is generally installed on the pipeline between the cylinder and reversal valve and near cylinder, which directly discharge the air from cylinder without passing the reversal valve and thus to achieve the goal of fast reversion of cylinder
- 2) The effect on improving cylinder speed is especially obvious.
- 3) Different thread types can be offered according to customers' requirements, e.g.: PT, NPT etc.

3.Specification:

Item	XQ17-06	XQ17-08	XQ17-10	XQ17-15
Applicable medium	Compressed air			
Working pressure	0.12~1.0 MPa			
Temperature range	0°C~60°C			
Port size	G1/8	G1/4	G3/8	G1/2
Flow rate (m ³ /min)	≥0.9	≥0.9	≥2.5	≥4.5
Exchange time (s)	≤0.03	≤0.03	≤0.04	≤0.05

Model	T	H	L
XQ1706	G1/8	39	32
XQ1708	G1/4	51	45
XQ1710	G3/8	68	62
XQ1715	G1/2	77	86

MOV Series Mechanical Valve



MOV-01



MOV-02

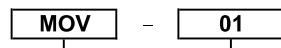


MOV-03



MOV-04

1.Ordering Code :



Valve type
MOV: MOV series mechanical valve

- Button type
- 01: Selective knob
 - 02: Roller type
 - 03: With lock button
 - 04: Plat round button

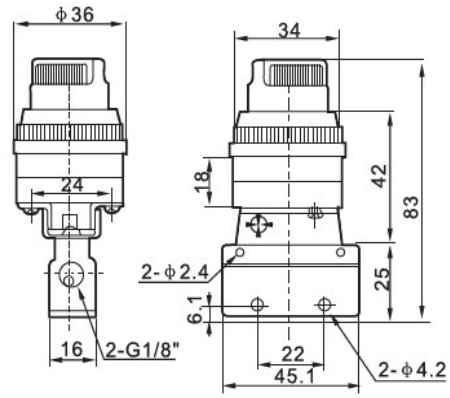
2.Characteristics:

- 1) The MOV series mechanical valve is controlled by human or machine, to switch the direction of air flow.
- 2) The material of valve body: Aluminum alloy.
- 3) Different button types are available, like selective knob,lock button, plat round and roller.
- 4) Different thread types can be offered according to customers' requirements, e.g.: PT, NPT etc.

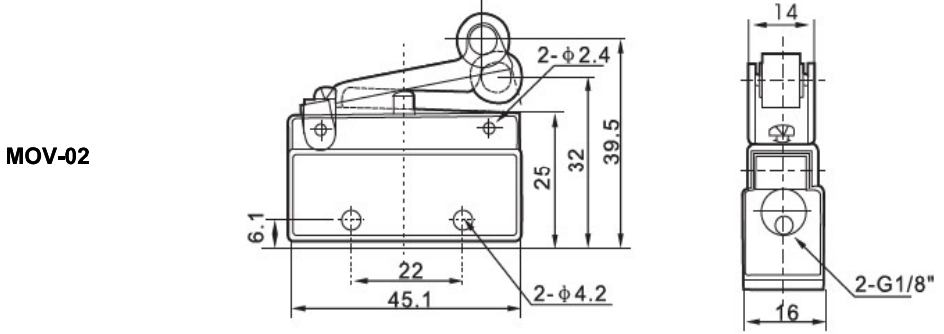
3.Specification:

Item	MOV-01	MOV-02	MOV-03	MOV-04
Valve type	Two positions two ways			
Applicable medium	Compressed air			
Working pressure	0~0.8 MPa			
Temperature range	0°C~60°C			
Port size	G1/8			

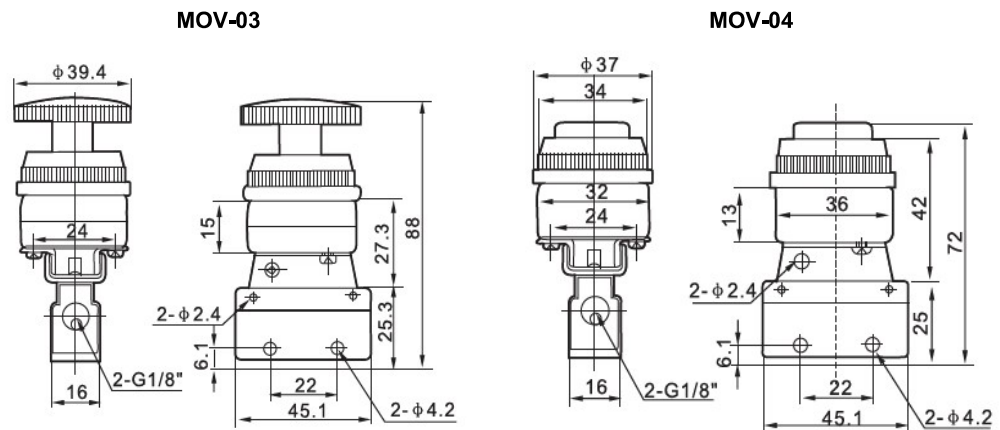
4. Overall and Dimension Sheet:



MOV-01



MOV-02



MOV-03

MOV-04

JM Series Mechanical Valve



JM-05



JM-06



JM-06A



JM-07

1. Ordering Code :



Valve type

JM: JM series mechanical valve

Button type

- 05: Selective knob
- 06: With lock button
- 06A: Plat round button
- 07: Roller type

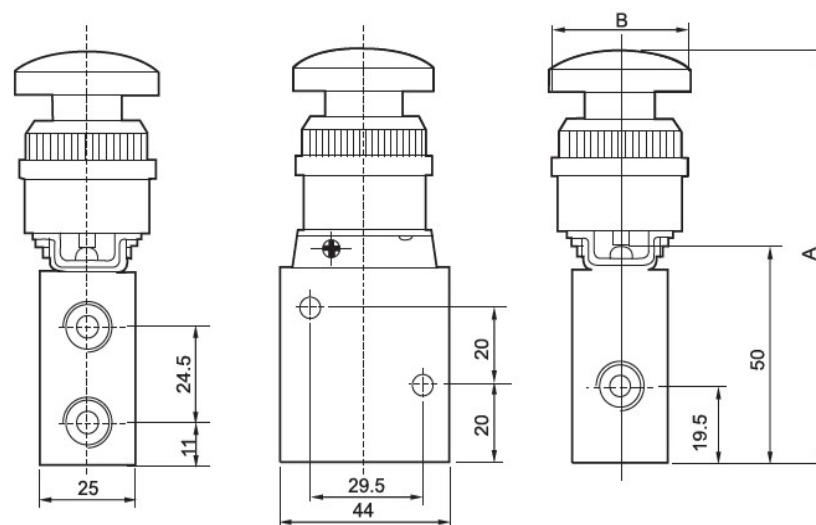
2.Characteristics:

- 1) The JM series mechanical valve is controlled by human or machine, to switch the direction of air flow.
- 2) The material of valve body: Aluminum alloy.
- 3) Different button types are available, like selective knob, lock button, plat round and roller.
- 4) Different thread types can be offered according to customers' requirements, e.g.: PT, NPT etc.

3.Specification:

Item	JM-05	JM-06	JM-06A	JM-07
Valve type	Two positions three ways			
Applicable medium	Compressed air			
Working pressure	0~0.8 MPa			
Temperature range	0°C~60°C			
Port size	G1/4			

4. Overall and Dimension Sheet:



Model	JM-05	JM-06	JM-06A	JM-07
A	114	111	96	84.5
B	36.5	39.5	39.5	42.5

MSV Series Mechanical Valve



MSV86522



MSV86522-R



MSV86522-TB



MSV86522-LB



MSV86522-EB



MSV86522-PB

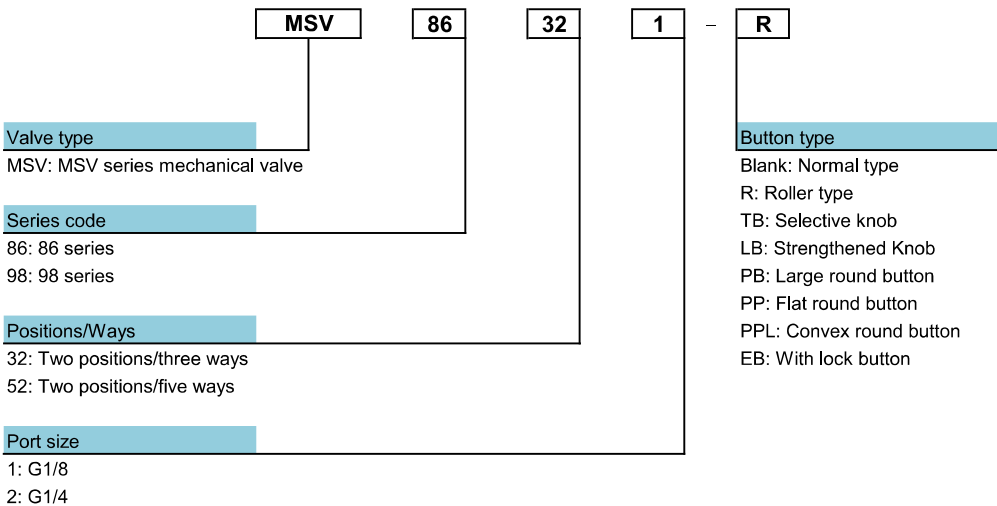


MSV86522-PP



MSV86522-PPL

1.Ordering Code :



2.Characteristics:

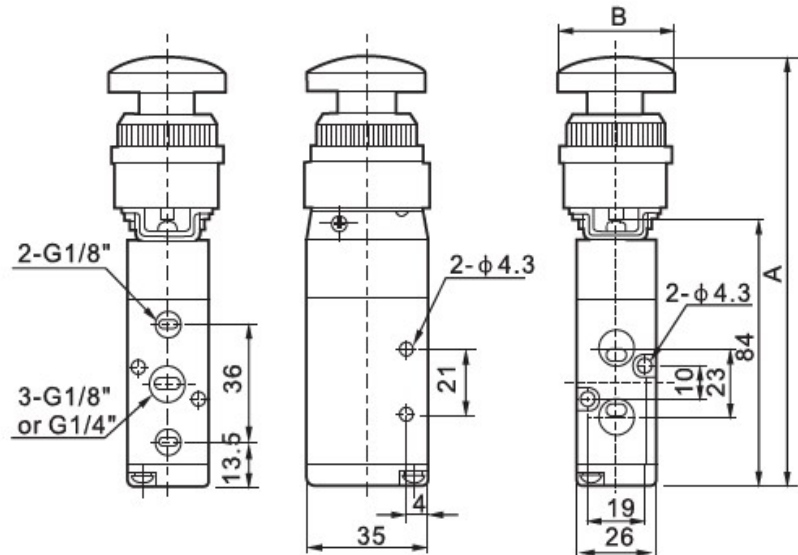
- 1) The MSV series mechanical valve is controlled by human or machine, to switch the direction of air flow.
- 2) The material of valve body: Aluminum alloy.
- 3) Different button types are available, like selective knob,lock button, plat round and roller.
- 4) Different thread types can be offered according to customers' requirements, e.g.: PT, NPT etc.

3.Specification:

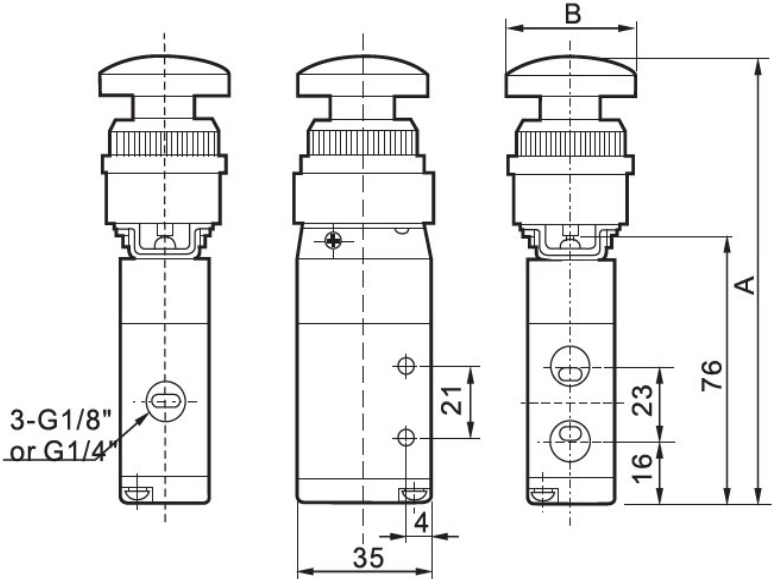
Item	MSV86321	MSV86522	MSV98322
Valve type	2positions 3ways	2positions 5ways	2positions 3ways
Working Medium	40 Micron filtered air		
Applicable medium	Compressed air		
Working pressure	0~0.8 MPa		
Temperature range	0°C~60°C		
Effective section area	12mm ² (CV=0.67)	16mm ² (CV=0.89)	16mm ² (CV=0.89)
Port size	G1/8	G1/4	G1/4

4. Overall and Dimension Sheet:

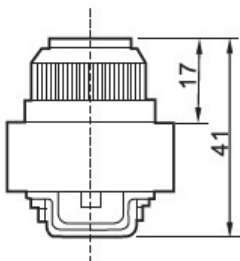
MSV86522



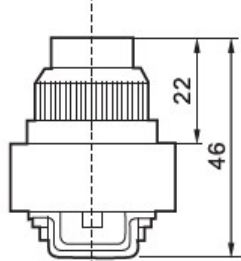
MSV98322



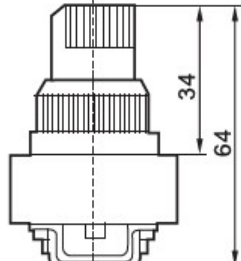
PP



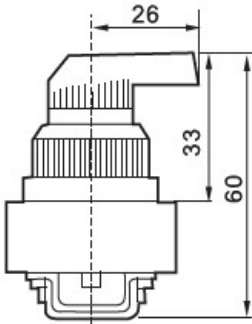
PPL



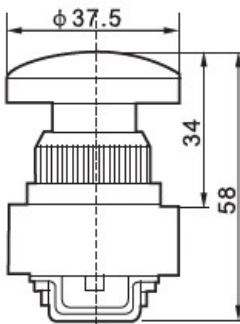
TB



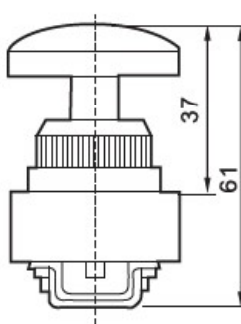
LB



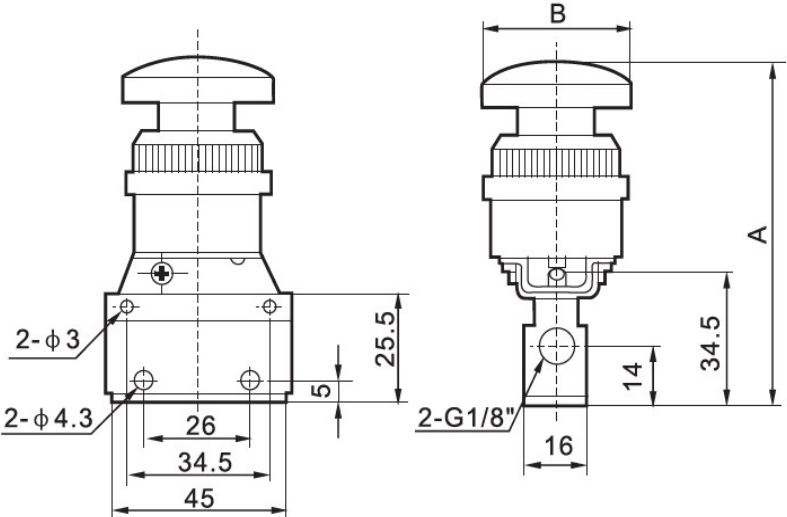
PB



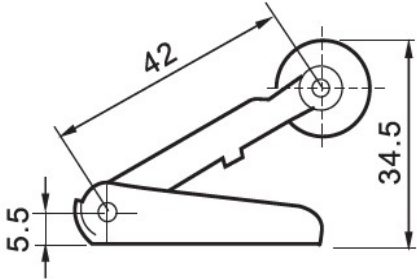
EB



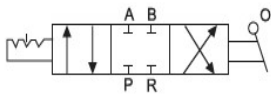
MSV86321



R

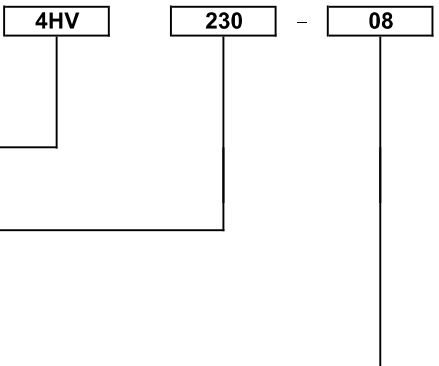


4HV Series Hand-Switching Valve



4HV230-08

1.Ordering Code :



Valve type (3positions/4ways)

4HV series hand-switching valve

Body size

- 230 series
- 330 series
- 430 series

Port size

- 08: G1/4
- 10: G3/8
- 15: G1/2

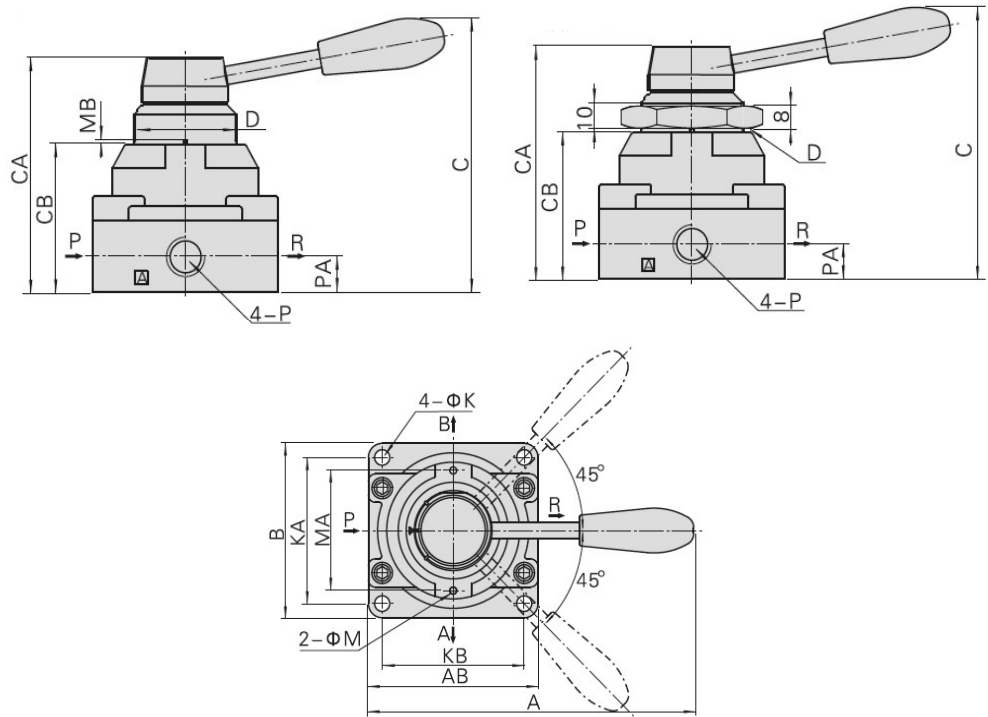
2.Characteristics:

- 1) The 4HV series hand valve is controlled by human or machine, to switch the direction of air flow.
- 2) There are two mounting types, panel mounting with nut and bottom mounting with bolts.
- 3) With big effective flow area and low pressure loss.
- 4) Different thread types can be offered according to customers' requirements, e.g.: PT, NPT etc.

3.Specification:

Item	4HV230-08	4HV330-10	4HV430-15
Valve type	Three positions four ports		
Applicable medium	40 Micron Filtered Compressed air		
Working pressure	0~0.8 MPa		
Temperature range	0°C~60°C		
Port size	G1/4	G3/8	G1/2

4. Overall and Dimension Sheet:



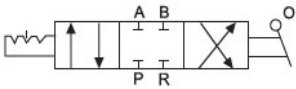
HV, HV400 Series Hand-Switching Valve



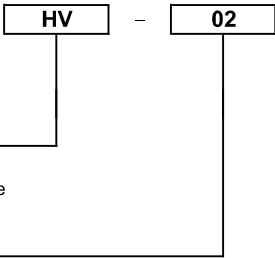
HV-02



HV400-02



1. Ordering Code :



Valve type (3positions/4ways)

HV: HV series hand-switching valve
 HV400: HV400 series hand-switching valve

Port size

02: G1/4
 03: G3/8
 04: G1/2

2.Characteristics:

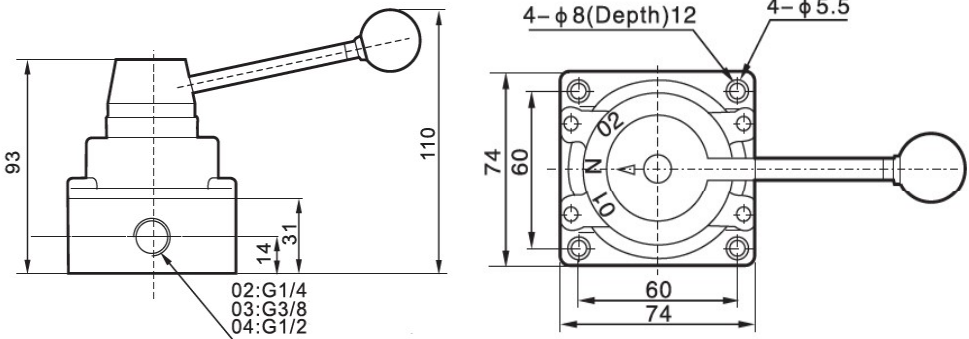
- 1) The HV series hand valve is controlled by human or machine, to switch the direction of air flow.
- 2) The material of valve body: Aluminum alloy.
- 3) Valve type: 3positions 4ways
- 4) Different thread types can be offered according to customers' requirements, e.g.: PT, NPT etc.

3.Specification:

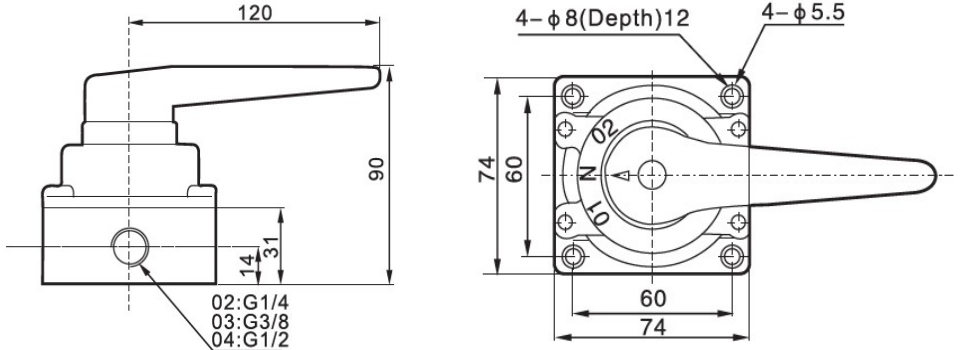
Item	HV-02	HV-03	HV-04
Valve type	Three positions four ports		
Applicable medium	40 Micron Filtered Compressed air		
Effective sectional area	30mm ² (CV=1.68)		
Working pressure	0~0.8 MPa		
Temperature range	0°C~60°C		
Port size	G1/4	G3/8	G1/2

4. Overall and Dimension Sheet:

HV series



HV400 series



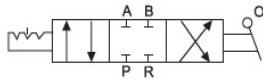
K34R6 Series Hand-Switching Valve



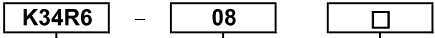
K34R6-08



K34R6-08D



1.Ordering Code :



Valve type
K34R6: 3positions/4ways hand-switching valve

Port size
06: G1/8
08: G1/4

Connecting port position
Blank: Two ports on back and front side (four ports in total)
D: Four ports at the bottom
S: One port on each side (four ports in total)

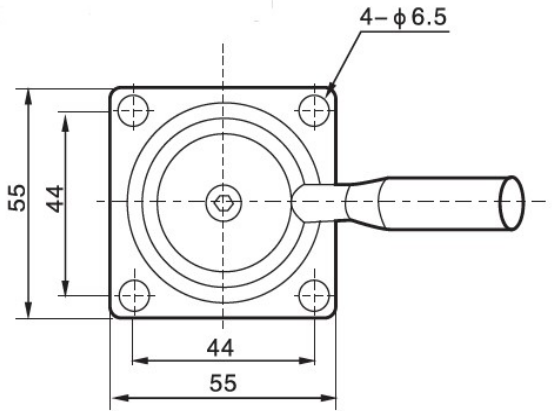
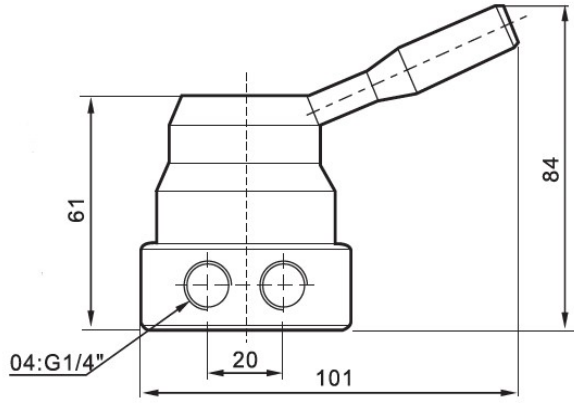
2.Characteristics:

- 1) The K34R6 series hand valve is controlled by human or machine, to switch the direction of air flow.
- 2) The material of valve body: Aluminum alloy.
- 3) There are three connecting types for K34R6, bottom, back and front side, and each side.
- 4) Different thread types can be offered according to customers' requirements, e.g.: PT, NPT etc.

3.Specification:

Item	K34R6-06	K34R6-08	K34R6-08D
Valve type	Three positions four ports		
Applicable medium	40 Micron Filtered Compressed air		
Effective sectional area	10mm ²		
Working pressure	0~0.8 MPa		
Temperature range	-5°C~50°C		
Port size	G1/8	G1/4	G1/4

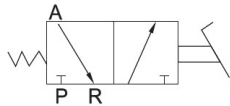
4. Overall and Dimension Sheet:



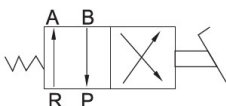
FV320,FV420 Series Foot Valve



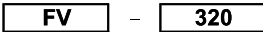
FV320



FV420



1.Ordering Code :



Foot valve type

FV: FV Series foot valve

Button type

320: Two positions three ports

420: Two positions four ports

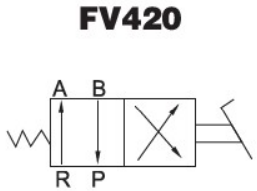
2.Characteristics:

- 1) FV Series foot valve is with high response and stability nature.
- 2) There are two motion pattern, 2positions/3ports and 2positions/4ports
- 3) The material of valve body: Aluminum alloy.
- 4) Different thread types can be offered according to customers' requirements, e.g.: PT, NPT etc.

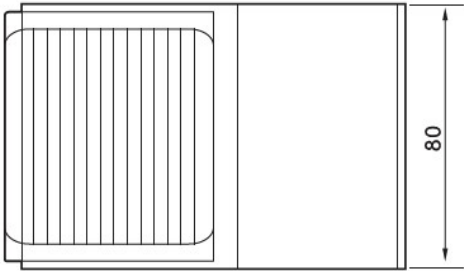
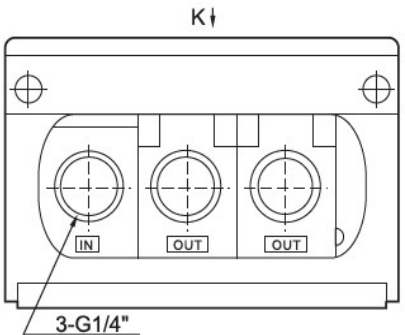
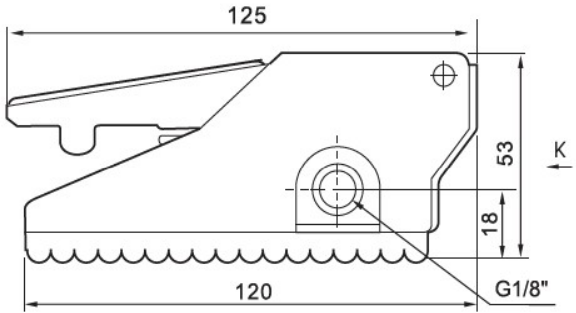
3.Specification:

Item	FV-320	FV-420
Applicable medium	≤40μ Filtered Air	
Motion patten	Direct drive type	
Valve type	two positions three ports	two positions three ports
Working pressure	0.15~0.9MPa	
Proof Pressure	1.0MPa	
Temperature range	NBR: 0°c ~60°c	
Port size	Inlet and outlet	G1/4
	Exhaust port	G1/8

4. Overall and Dimension Sheet:

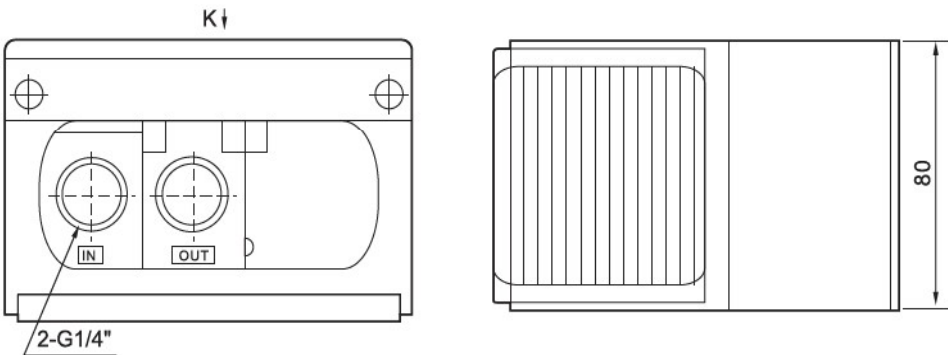
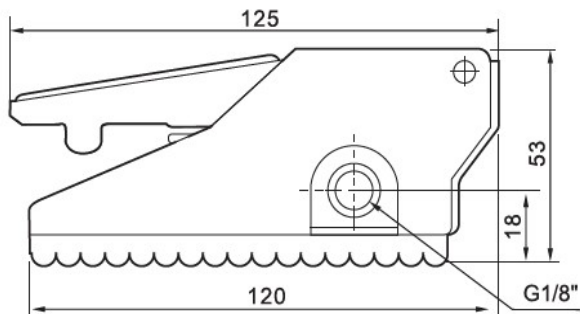


FV420



Ball Valve
a) Brass mini ball valve

FV320



VB01-MM-1/4



VB01-FF-1/4



VB01-MF-1/4



VB01-MH-1/4-8



VB01-FH-1/4-8



VB01-HH-8-8

1. Ordering Code :



Ball valve type
 VB01 series brass mini ball valve with red handle.

Button type
 MM: Male thread to male thread FF: Female thread to female thread
 MF: Male thread to female thread MH: Male thread to hose barb
 FH: Female thread to hose barb HH: Hose barb on both side

Thread size
 1/4" 3/8" 1/2"

Inner diameter of hose
 6: 6mm 8: 8mm 10: 10mm

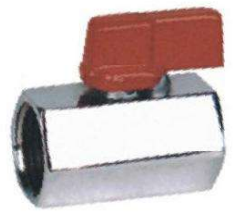
2.Characteristics:

- 1) Pressure range: 0~1.0MPa
- 2) Working temperature: 0~60°C
- 3) Different thread types can be offered according to customers' requirements, e.g.: PT, BSP, NPT etc.

b) Nickel plated Mini Ball Valve



VB09-MM-3/8

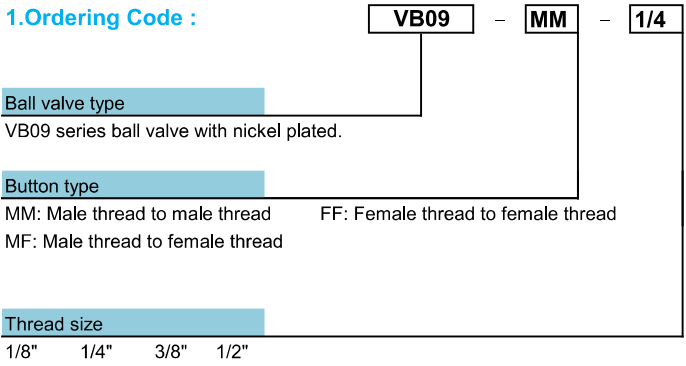


VB09-FF-1/4



VB09-MF-1/4

1.Ordering Code :



2.Characteristics:

- 1) Pressure range: 0~1.0MPa
- 2) Working temperature: 0~60°C
- 3) Different thread types can be offered according to customers' requirements, e.g.: PT, BSP, NPT etc.

c) VB23,VB24 Series Ball Valve

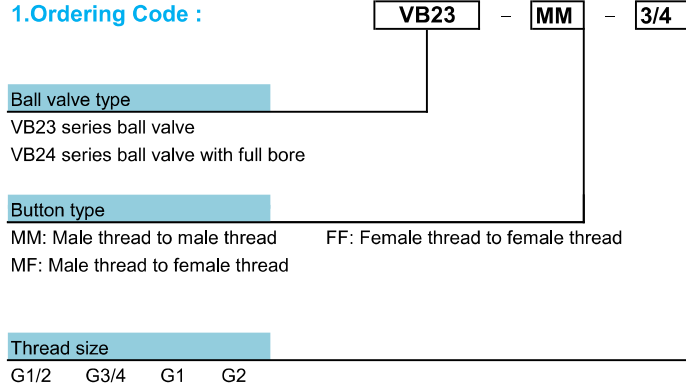


VB23-FF-3/4



VB24-FF-1

1.Ordering Code :



2.Characteristics:

- 1) Pressure range: 0~1.0MPa
- 2) Working temperature: 0~60°C
- 3) Different thread types can be offered according to customers' requirements, e.g.: PT, BSP, NPT etc.