

FESCOLO

PNEUMATIC CYLINDER AND KITS

--PART TWO



FESCOLO
Fescolo Pneumatic

📍 : No.98Tiangao Lane, Yinzhou, Ningbo, China

☎ : +86-574-89258005

✉ : sales@fokca.com

🌐 : www.fescolo.com

FESCOLO PNEUMATIC


















Company Profile

Fescolo Pneumatic, established in 2001, is a professional developer and manufacturer of customized cylinders and solenoid valves. We have an excellent R&D technical team, more than 200 sets of equipment, an annual production value of more than 10 million US dollars, and have 100+ employees, including 4 technical engineers and 8 technicians so far.

Our main product range consists of various standard cylinders, non-standard customized cylinders, standard solenoid valves, non-standard customized solenoid valves, 2/2 ways electromagnetic valves, air source treatment units, angle seat valves, air hose and tube fittings. Widely applied in industrial automation, robotic arms, medical treatment, sanitary ware, food machinery, automobile manufacturing and other scientific and technological industries.

If you are looking for non-standard customized cylinders and valves, if you encounter problems in pneumatic system, congratulations, we are just the exact supplier you need. Product customization and ODM are our core competencies. We are in a leading position on projects of customized cylinders and solenoid valves. We can also customize product labels, special inner and outer packaging for you. All our products include a one-year or six-month warranty. Most standard products are available in stock and can be shipped within 3-15 days after you place an order. Fescolo Pneumatic, looks forward to your cooperation sincerely!

CONTENTS

-  CA Rear Male Clevis Mount (ISO6431) ----- 04
-  CB Rear Female Clevis Mount (ISO6431) ----- 05
-  LB Foot Mount Bracket (ISO6431) ----- 06
-  SDB Rear Mount Bracket (ISO6431) ----- 07
-  FA/FB Type Flange (ISO6431) ----- 08
-  TC Type bracket for SI cylinder (ISO6431) ----- 09
-  Y type Joint Clevis ----- 10
-  B Type Bearing Joint (Fish eye joint) ----- 11
-  I type Joint ----- 12
-  FK Type Float Joint ----- 13
-  Mounting Brackets for SC,SU Standard Cylinder ----- 14
-  Mounting Brackets for DSN,MA,MAL Mini Cylinder ----- 17
-  Assembly Pneumatic Cylinder Kits ----- 21
-  Aluminum Cylinder Tube & Stainless Steel Cylinder Tube ----- 27
-  Magnetic Switch & Magnetic Sensor ----- 29

CA Rear Male Clevis Mount (ISO6431)

CB Rear Female Clevis Mount (ISO6431)



1. Ordering Code :

CA - 50 - ISO
 ↑ ↑ ↑
 Model Bore of cylinder ISO6431 standard
 CA Male bracket



1. Ordering Code :

CB - 50 - ISO
 ↑ ↑ ↑
 Model Bore of cylinder ISO6431 standard
 CB Female bracket

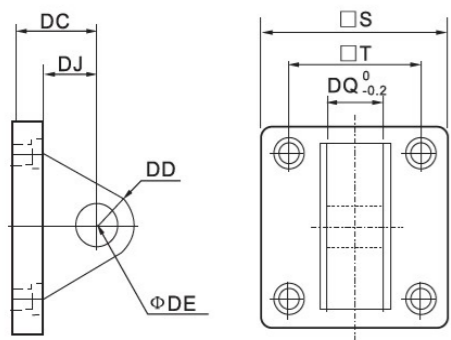
2. Characteristics:

- 1) This series of CA male clevis bracket matches with ISO6431 cylinders, like DNC, SI series.
- 2) Surface treatment: Paint coating.
- 3) Material of the body: Aluminum alloy.
- 4) With 4pcs of steel boltst for convenience of installation.
- 5) Press-in bearing bush makes it long life.

2. Characteristics:

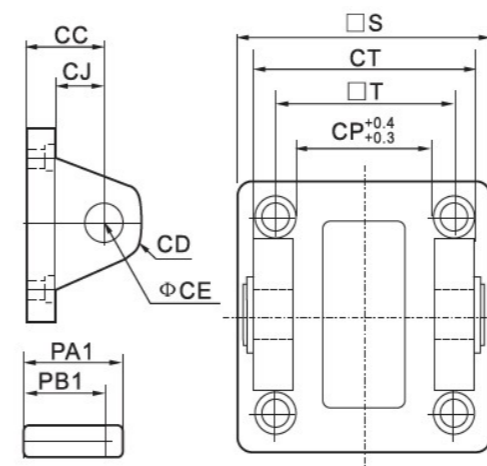
- 1) This series of CB female clevis bracket matches with ISO6431 cylinders, like DNC, SI series.
- 2) Surface treatment: Paint coating.
- 3) Material of the body: Aluminum alloy.
- 4) With 4pcs of steel boltst for convenience of installation.
- 5) Press-in bearing bush makes it long life.

3. Overall and dimension:



Symbol/Bore	32	40	50	63	80	100	125	160	200
S	47	53	65	75	95	115	140	180	220
T	32.5	38	46.5	56.5	72	89	110	140	175
DC	22	25	27	32	36	41	50	55	60
DD	9	12	12	15	15	20	25	30	30
DE	10	12	12	16	16	20	25	30	30
DJ	13	16	17	22	22	27	33	35.5	36
DQ	25.8	27.8	31.7	39.7	49.7	59.7	69.7	89.7	89.7

3. Overall and dimension:



Symbol/Bore	32	40	50	63	80	100	125	160	200
CC	22	25	27	32	36	41	50	55	60
CD	9	12	12	15	15	20	25	30	30
CE	10	12	12	16	16	20	25	30	30
CJ	13	16	17	22	22	27	31	35.5	36
CP	26	28	32	40	50	60	70	90	90
CT	45	52	60	70	90	110	130	170	170
PA1	51	59	67	77	97	119	139	181	181
PB1	45.5	52.5	60.5	70.5	90.5	110.5	130.5	170.5	170.5
S	47	53	65	75	95	115	140	180	220
T	32.5	38	46.5	56.5	72	89	110	140	175

LB Foot Mount Bracket (ISO6431)



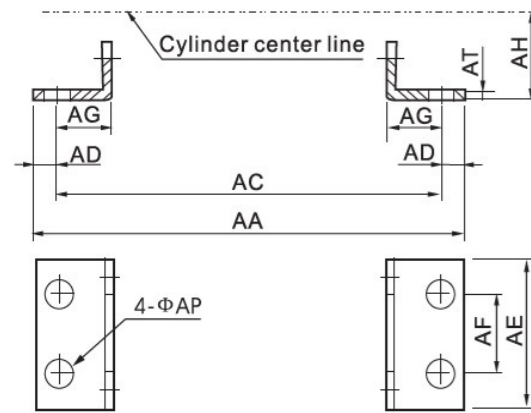
1. Ordering Code :

LB - 50 - ISO
 ↑ ↑ ↑
 Model Bore of cylinder ISO6431 standard
 LB foot bracket

2. Characteristics:

- 1) This series of LB foot mount bracket matches with ISO6431 cylinders, like DNC, SI series.
- 2) Surface treatment: Paint coating or Zinc coated
- 3) Material of the body: 45# carbon steel.
- 4) With 4pcs of steel boltst for convenience of installation.

3. Overall and dimension:



Symbol/Bore	32	40	50	63	80	100	125	160	200
AA	158	179	190	209	248	266	290	340	380
AC	142	161	170	185	210	228	250	300	320
AD	8	9	10	12	19	19	20	20	30
AE	47	53	65	75	95	115	140	180	220
AF	32	36	45	50	63	75	90	115	135
AG	24	28	32	32	41	45	45	60	70
AH	32	36	45	50	63	71	90	115	135
AP	7	9	9	9	12	14.5	16.5	18.5	24
AT	3	3	3	3	4	4	6	6	9

SDB Rear Mount Bracket (ISO6431)



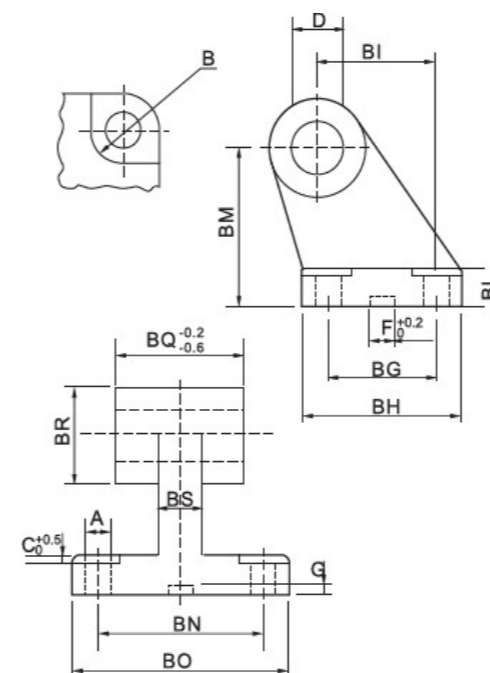
1. Ordering Code :

SDB - 50 - ISO
 ↑ ↑ ↑
 Model Bore of cylinder ISO6431 standard
 SDB rear bracket

2. Characteristics:

- 1) This series of male rear mount bracket matches with ISO6431 cylinders, like DNC, SI series.
- 2) Surface treatment: Paint coating.
- 3) Material of the body: Aluminum alloy.
- 4) With 4pcs of steel boltst for convenience of installation.
- 5) Press-in bearing bush makes it long life.

3. Overall and dimension:



Symbol/Bore	32	40	50	63	80	100	125
A	6.6	6.6	9	9	11	11	14
B	11	11	15	15	18	18	20
BG	18	22	30	35	40	50	60
BH	31	35	45	50	60	70	90
BI	21	24	33	37	47	55	70
BL	8	10	12	14	14	17	20
BM	32	36	45	50	63	71	90
BN	38	41	50	52	66	76	94
BO	51	54	65	67	86	96	124
BS	10	15	16	16	20	20	30
BR	20	22	26	30	30	38	45
C	1.6	1.6	1.6	1.6	2.5	2.5	3.2
D	10	12	12	16	16	20	25
F	10.5	10.5	10.5	10.5	10.5	10.5	10.5
G	3	3	3	3	3	3	3
BQ	26	28	32	40	50	60	70

FA/FB Type Flange (ISO6431)



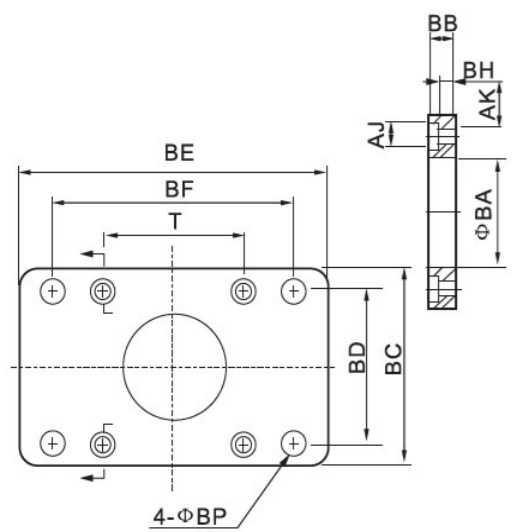
1. Ordering Code :

FA/FB - 50 - ISO
 ↑ ↑ ↑
 Model Bore of cylinder ISO6431 standard
 FA/FB type flange

2. Characteristics:

- 1) This series of mount flange matches with ISO6431 cylinders, like DNC, SI series.
- 2) Surface treatment: Paint coating.
- 3) Material of the body: Aluminum alloy.
- 4) With 4pcs of steel boltst for convenience of installation.

3. Overall and dimension:



Symbol/Bore	32	40	50	63	80	100	125	160	200
AJ	11	11	14	14	17	17	19	25	25
AK	7	7	9	9	11	11	13	17	17
BA	30.5	35.5	40.5	45.5	45.5	55.5	60.5	65.5	75.5
BB	10	10	12	12	16	16	20	20	25
BC	47	53	65	75	95	115	140	180	220
BD	32	36	45	50	63	75	90	115	135
BE	80	90	110	125	154	186	224	280	320
BF	64	72	90	100	126	150	180	230	270
BH	4	4	4	6	6	6	8	8	12
BP	7	9	9	9	12.5	14.5	16.5	18.5	24
T	32.5	38	46.5	56.5	72	89	110	140	175

TC Type bracket for SI cylinder (ISO6431)



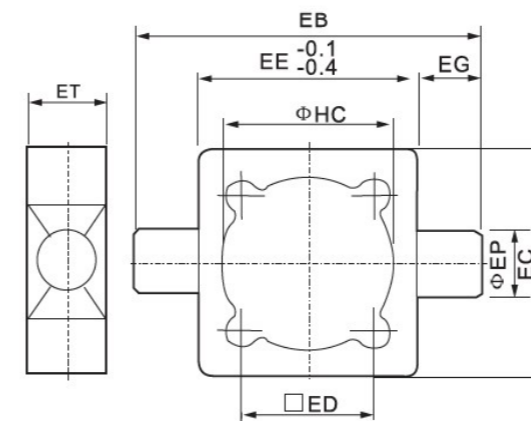
1. Ordering Code :

TC - 50 - SI
 ↑ ↑ ↑
 Model Bore of cylinder For SI cylinder only
 TC type bracket

2. Characteristics:

- 1) This series of mount flange matches with SI standard cylinders
- 2) Surface treatment: Paint coating.
- 3) Material of the body: Carbon steel.
- 4) With 4pcs of steel boltst for convenience of installation.

3. Overall and dimension:



Symbol/Bore	32	40	50	63	80	100
EB	100	113	125	140	160	182
EC	52	63	74	80	105	128
ED	32.5	38	46.5	56.5	72	89
EE	52	63	75	90	105	128
EG	25	25	25	25	25	25
EP	12	16	16	20	20	25
ET	20	22	22	28	28	34
HC	37	45	55	68	87	107.5

Y type Joint Clevis



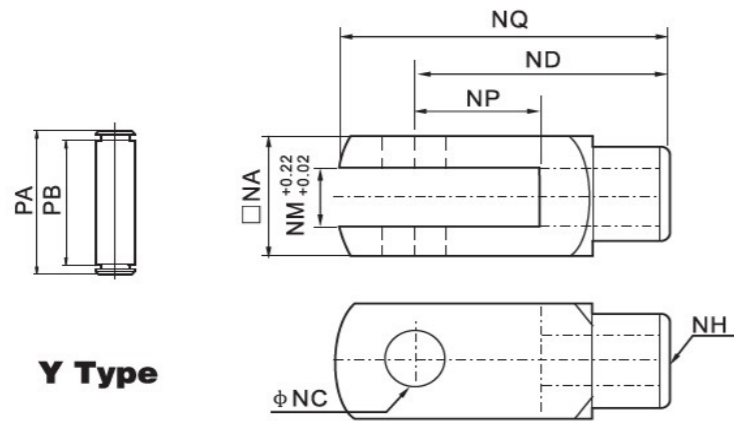
1. Ordering Code :

Y	-	50	-	M16x1.5
↑		↑		↑
Model		Bore of cylinder		Female thread
Y joint clevis		20		M8x1.25
		25/32		M10x1.25
		40		M12x1.25
		50/63		M16x1.5
		80/100		M20x1.5
		125		M27x2.0
		160/200		M36x2.0

2. Characteristics:

- 1) This series of Y joint clevis matches with DNC,SI, SC,SU,DSN etc series cylinders
- 2) Surface treatment: Nickel plated.
- 3) Material of the body: Carbon steel.

3. Overall and dimension:



Symbol/Bore	32	40	50	63	80	100	125	160	200
NA	19	25.4	32	32	44.4	44.4	55	70	70
NC	10	12	16	16	20	20	30	35	35
ND	40	48	64	64	80	80	110	144	144
NE	52	67	89	89	112	112	155	201	201
NF	15	24	32	32	40	40	50	50	55
NG	20	20	23	23	30	30	56	72	72
NH	M10×1.25	M12×1.25	M16×1.5	M16×1.5	M20×1.5	M20×1.5	M27×2.0	M36×2.0	M36×2.0
NM	10	12	16	16	20	20	30	35	35
NP	20	24	32	32	40	40	54	72	72
NQ	52	62	83	83	105	105	148	191	191
PA	26.2	32.8	39.3	39.3	53.3	53.3	64	80	80
PB	20	26.5	33	33	45	45	55.6	70.6	70.6

B Type Bearing Joint (Fish eye joint)



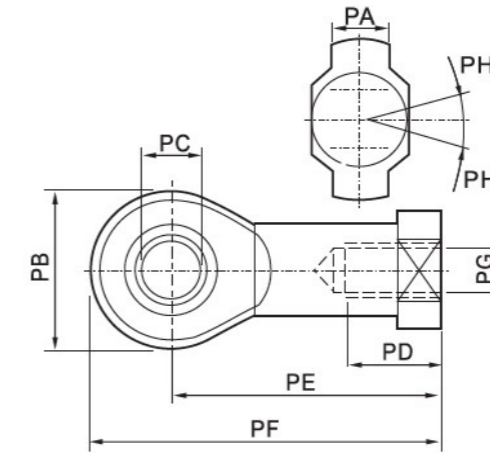
1. Ordering Code :

B	-	50	-	M16x1.5
↑		↑		↑
Model		Bore of cylinder		Female thread
Bearing Joint		20		M8x1.25
		25/32		M10x1.25
		40		M12x1.25
		50/63		M16x1.5
		80/100		M20x1.5
		125		M27x2.0
		160/200		M36x2.0

2. Characteristics:

- 1) This series of B bearing joint matches with DNC,SI, SC,SU,DSN etc series cylinders
- 2) Surface treatment: Zinc plated.
- 3) Material of the body: Carbon steel.

3. Overall and dimension:



Symbol/Bore	PA	PB	PC	PD	PE	PF	PG	PH
32	11	26	10	21	43	56	M10×1.25	13
40	12	30	12	24	50	65	M12×1.25	13
50	15	38	16	33	64	83	M16×1.5	15
63	15	38	16	33	64	83	M16×1.5	15
80	18	46	20	40	77	100	M20×1.5	15
100	18	46	20	40	77	100	M20×1.5	15
125	37	70	30	51	110	145	M27×2.0	15
160	43	80	35	56	125	165	M36×2.0	16
200	43	80	35	56	125	165	M36×2.0	16

I type Joint



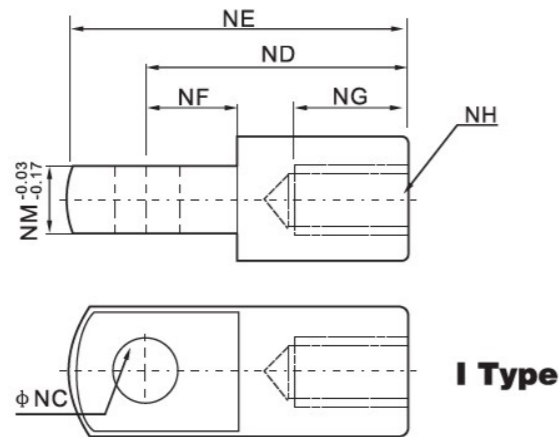
1. Ordering Code :

I	-	50	-	M16x1.5
↑		↑		↑
Model		Bore of cylinder		Female thread
I type joint		20		M8x1.25
		25/32		M10x1.25
		40		M12x1.25
		50/63		M16x1.5
		80/100		M20x1.5
		125		M27x2.0
		160/200		M36x2.0

2. Characteristics:

- 1) This series of I type joint matches with DNC,SI, SC,SU,DSN etc series cylinders
- 2) Surface treatment: Nickel plated or zinc coated.
- 3) Material of the body: Carbon steel.

3. Overall and dimension:



Symbol/Bore	32	40	50	63	80	100	125	160	200
NA	19	25.4	32	32	44.4	44.4	55	70	70
NC	10	12	16	16	20	20	30	35	35
ND	40	48	64	64	80	80	110	144	144
NE	52	67	89	89	112	112	155	201	201
NF	15	24	32	32	40	40	50	50	55
NG	20	20	23	23	30	30	56	72	72
NH	M10×1.25	M12×1.25	M16×1.5	M16×1.5	M20×1.5	M20×1.5	M27×2.0	M36×2.0	M36×2.0
NM	10	12	16	16	20	20	30	35	35
NP	20	24	32	32	40	40	54	72	72
NQ	52	62	83	83	105	105	148	191	191
PA	26.2	32.8	39.3	39.3	53.3	53.3	64	80	80
PB	20	26.5	33	33	45	45	55.6	70.6	70.6

FK Type Float Joint



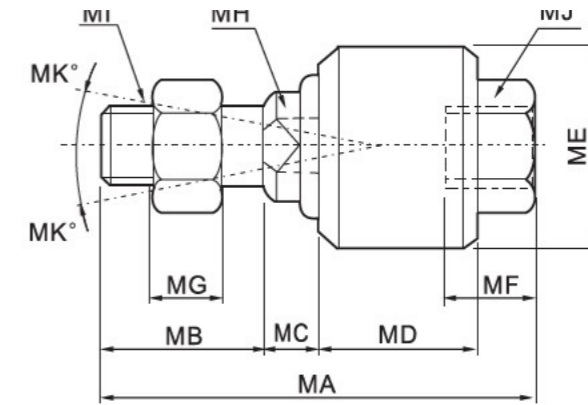
1. Ordering Code :

FK	-	50	-	M16x1.5
↑		↑		↑
Model		Bore of cylinder		Female thread
Float Joint		20		M8x1.25
		25/32		M10x1.25
		40		M12x1.25
		50/63		M16x1.5
		80/100		M20x1.5
		125		M27x2.0
		160/200		M36x2.0

2. Characteristics:

- 1) This series of FK float joint matches with DNC,SI, SC,SU,DSN etc series cylinders
- 2) Surface treatment: Zinc plated.
- 3) Material of the body: Carbon steel.

3. Overall and dimension:



Symbol /Bore	MA	MB	MC	MD	ME	MF	MG	MH	MI	MK
32	58	22	7	21	26	11.5	7	10	M10×1.25	12
40	58	22	8	21	28	11.5	8	12	M12×1.25	12
50	90	27	10	41	44.5	20	10	17	M16×1.5	7
63	90	27	10	41	44.5	20	10	17	M16×1.5	7
80	102	29	13	46	53	24	13	22	M20×1.5	10
100	102	29	13	46	53	24	13	22	M20×1.5	10
125	147	54	13	64	62	39	14	30	M27×2.0	9
160	147	43	23	58	88	35	13.5	36	M36×2.0	15
200	147	43	23	58	88	35	13.5	36	M36×2.0	15

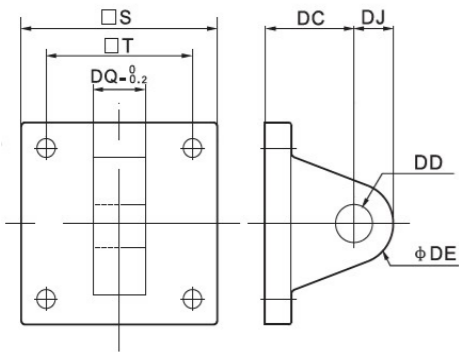
Mounting Brackets for SC,SU Standard Cylinder

a) CA Rear Male Clevis Mount for SC, SU series cylinder



Ordering Code:

CA - 50 - SC
 ↑ ↑ ↑
 Rear male clevis Bore of cylinder For SC,SU cylinder
 Steel with paint coated



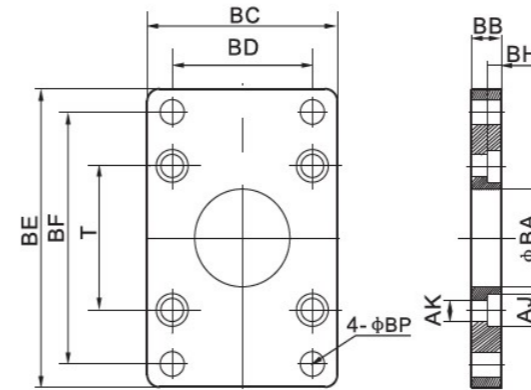
Symbol/Bore	32	40	50	63	80	100	125	160	200
S	48	50	62	75	94	112	140	180	220
T	33	37	47	56	70	84	110	140	175
DC	34	34	34	34	48	48	50	55	60
DD	14	14	15	15	20	20	25	30	30
DE	12	14	14	14	20	20	25	30	30
DJ	14	14	15	15	20	20	25	30	30
DQ	16	20	20	20	32	32	70	90	90

c) FA/FB Type Flange for SC, SU series cylinder



Ordering Code:

FA/FB - 50 - SC
 ↑ ↑ ↑
 Flange bracket Bore of cylinder For SC,SU cylinder
 Steel with paint coated



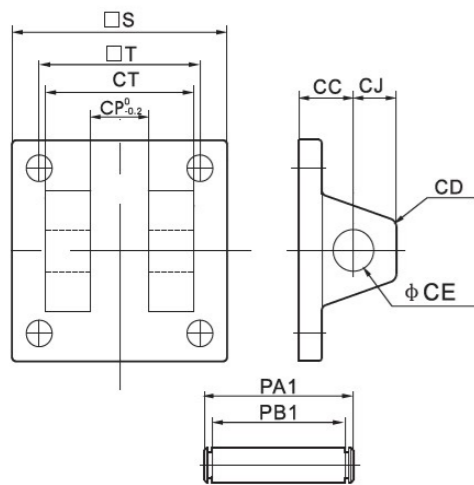
Symbol/Bore	32	40	50	63	80	100	125	160	200
BA	28.3	32.3	38.3	38.3	47.3	47.3	56	63	81
BB	10	10	10	12	16	16	20	25	25
BC	47	52	65	76	95	115	140	180	220
BD	33	36	47	56	70	84	90	115	135
BE	72	84	104	116	143	162	224	280	320
BF	58	70	86	98	119	138	180	230	270
BH	6.5	6.5	6.5	8.5	10.5	10.5	15	20	20
AJ	10.5	10.5	13.5	13.5	5	5	19	25	25
AK	6.5	6.5	6.5	8.5	10.5	10.5	12.5	16.5	16.5
BP	7	7	9	9	11	11	16	18	22
T	33	37	47	56	70	84	110	140	175

b) CB Rear Female Clevis Mount for SC, SU series cylinder



Ordering Code:

CB - 50 - SC
 ↑ ↑ ↑
 Rear Female clevis Bore of cylinder For SC,SU cylinder
 Steel with paint coated



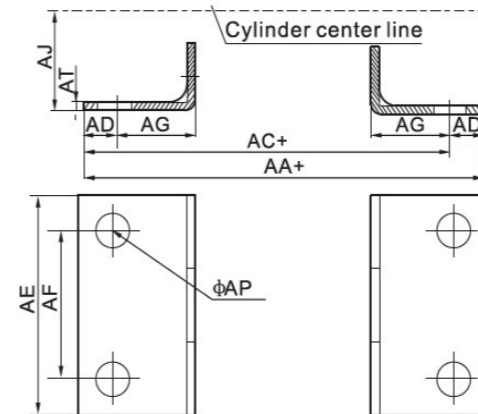
Symbol/Bore	32	40	50	63	80	100	125	160	200
CC	19	19	19	19	32	32	50	55	60
CD	5	5	3	2	8	8	25	30	30
CE	12	14	14	14	20	20	25	30	30
CJ	13	13	15	15	21	21	25	30	30
CP	16	20.5	20.3	20.3	32.3	32.3	70	90	90
CT	32	44	52	52	64	64	120	160	160
PAI	41	51.8	60.3	60.3	73.8	73.8	130	170	170
PBI	33.5	45.8	54	54	65.5	65.5	121.5	161.5	161.5
S	48	50	62	75	94	94	140	180	220
T	33	37	47	56	70	70	110	140	175

d) LB Foot Mount Bracket for SC, SU series cylinder



Ordering Code:

LB - 50 - SC
 ↑ ↑ ↑
 Foot mount bracket Bore of cylinder For SC,SU cylinder
 Steel with zinc coated



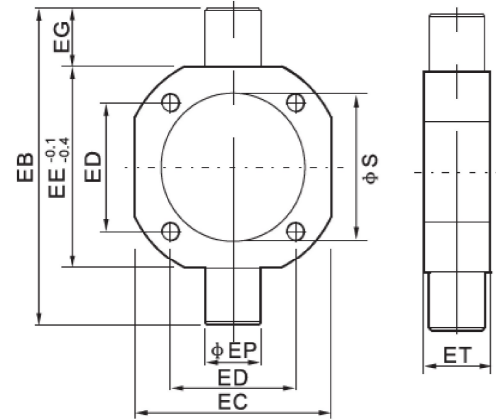
Symbol/Bore	32	40	50	63	80	100	125	160	200
AA	153	169	173	184	199	210	249	328	380
AC	134	140	149	158	167	174	213	288	320
AD	9.5	14.5	12	13	16	18	18	20	30
AE	50	57	68	80	97	112	140	180	220
AF	33	36	47	56	70	84	90	115	135
AG	20.5	23.5	28	31	30	30	45	60	70
AJ	28	30	36.5	41	49	57	90	115	135
AP	9	12	12	12	14	14	16	18	22
AT	3	3	3	3	4	4	8	8	10

e) TC Bracket for SC,SU series cylinder



Ordering Code:

TC - 50 - SC
 ↑ ↑ ↑
 TC mount bracket Bore of cylinder For SC,SU cylinder
 Steel with paint coated



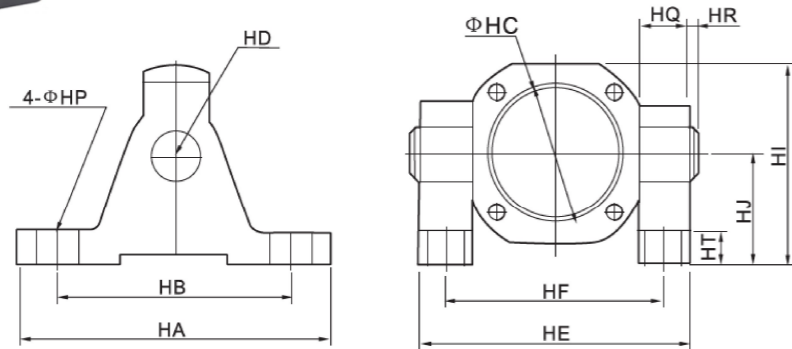
Symbol/Bore	40	50	63	80	100	125	160	200
EB	113	126	138	164	182	210	264	336
EC	63	76	88	114	132	160	200	240
ED	37	47	56	70	84	110	140	175
EE	63	76	88	114	132	160	200	240
EG	25	25	25	25	25	25	32	48
EP	25	25	25	25	25	25	32	37
ET	30	30	30	30	40	30	38	44
S	45.5	55.5	68.5	87.5	107.5	134.5	172.5	212.5

f) TC-M Type Bracket for SC,SU series cylinder



Ordering Code:

TC-M - 50 - SC
 ↑ ↑ ↑
 TC-M mount bracket Bore of cylinder For SC,SU cylinder
 Steel with paint coated



Symbol/Bore	HA	HB	HC	HD	HE	HF	HI	HJ	HQ	HR	HT	HP
40	110	80	45.5	22	109	86	81.5	50	23	2	12	12
50	110	80	55.5	22	122	99	88	50	23	2	12	12
63	110	80	68.5	22	134	111	94	50	23	2	12	12
80	120	85	87.5	22	160	137	127	70	23	2	14	14
100	120	85	107.5	22	178	155	136	70	23	2	14	14

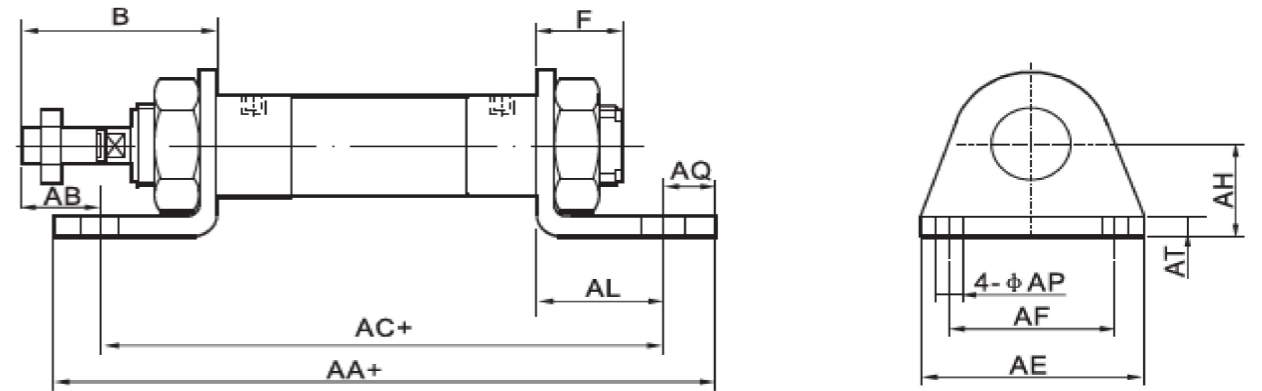
Mounting Brackets for DSN,MA,MAL Mini Cylinder

a) LB foot bracket for DSN,MA,MAL minicrimp cylinder



Ordering Code:

LB - 25 - M
 ↑ ↑ ↑
 Foot bracket Bore of cylinder For Mini cylinder
 Steel with zinc coated



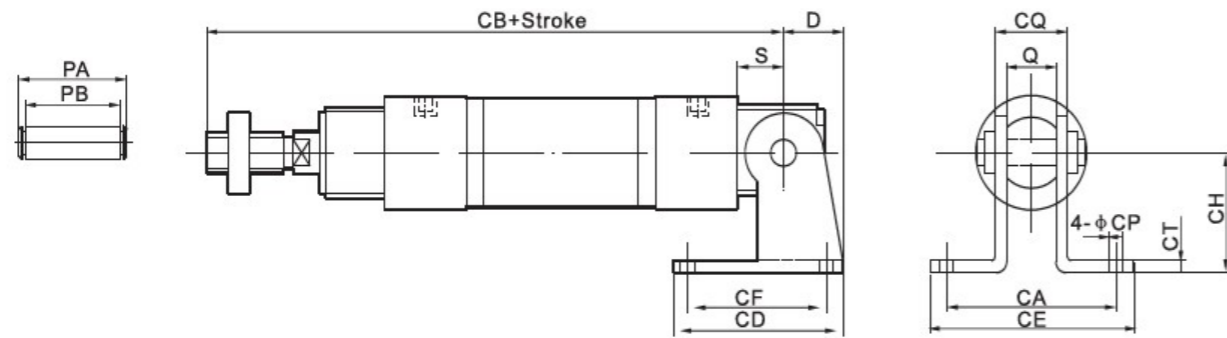
Symbol Bore	B	F	AA (MA Series)		AA (MAL Series)		AA(MSA Series)		AA(MSAL Series)		AB	AC (MA Series)		AC (MAL Series)		AC(MSA Series)		AC(MSAL Series)		AE	AF	AL	AQ	AP	AT	AH
			0-50	51-100	0-50	51-100	0-50	51-100	0-50	51-100		0-50	51-100	0-50	51-100											
16	38	16	98	-	98	123	-	-	25	86	-	86	111	-	-	44	32	13	6	5.5	3	20				
20	40	12	122	116	122	147	116	141	25	106	100	106	131	100	125	54	40	15	8	6.5	3	25				
25	44	14	122	116	122	147	116	141	29	106	100	106	131	100	125	54	40	15	8	6.5	3	25				
32	44	14	142	136	142	167	136	161	19	126	120	126	151	120	145	59	45	25	8	6.5	4	32				
40	46	14	142	158	142	167	158	183	21	126	142	126	151	142	167	64	60	25	8	6.5	4.5	36				

b) SDB bracket for DSN, MA, MAL mini cylinder



Ordering Code:

SDB - 25 - M
 ↑ ↑ ↑
 SDB bracket Bore of cylinder For Mini cylinder
 Steel with zinc coated



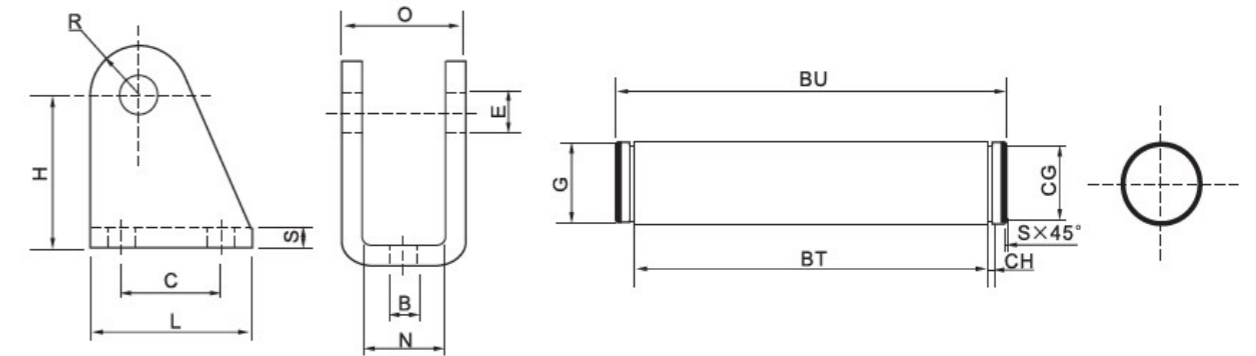
Symbol Bore	D	S	Q	CA	CB(MA Series)	CB(MAL Series)	CB (MSA Series)		CB (MSAL Series)		CD	CE	CF	CH	CT	CP	CQ	PA	PB
							0-50	51-100	0-50	51-100									
16	16	9	12	-	107	-	107	132	-	-	23	-	12	20	2.3	5.5	16.5	21	17
20	21	12	16	51	128	122	128	153	122	147	48	67	32	32	3	6.5	22	27	22.5
25	21	12	16	51	132	126	132	157	126	151	48	67	32	32	3	6.5	22	27	22.5
32	27	15	16	51	135	129	135	160	129	154	52	67	36	36	4	6.5	24	30	24.5
40	27	15	20	55	137	153	137	162	153	178	56	71	40	40	4	6.5	28	34	28.5

c) U Hinge for DSN, MA, MAL mini cylinder



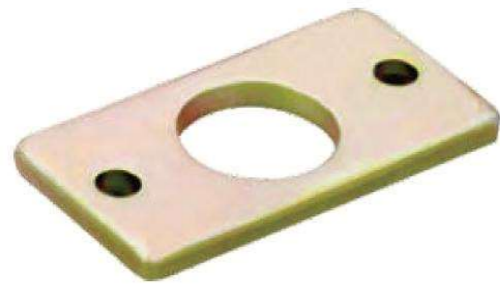
Ordering Code:

U - 25 - M
 ↑ ↑ ↑
 U hinge bracket Bore of cylinder For Mini cylinder
 Steel with zinc coated



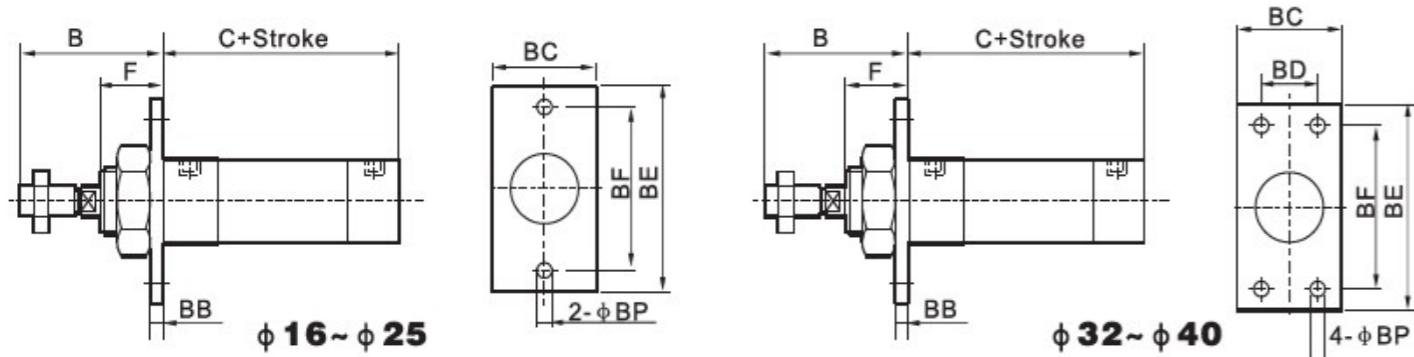
Symbol/Bore	B	E	C	H	L	N	O	R	S	G	BT	CG	CH	BU	S
8/10	4.5	4	12.5	24	20	8.1	13	5	2.5	4	14	3.7	0.5	17	0.2
12/16	5.5	6	15	27	25	13	18	7	3	6	19	5.6	0.8	24	0.4
20/25	6.6	8	20	29.5	32	16.1	24	10	4	8	25.2	7.5	0.9	29.5	0.5

d) FA-M flange bracket for DSN, MA, MAL mini cylinder



Ordering Code:

FA - 25 - M
 ↑ ↑ ↑
 FA flange bracket Bore of cylinder For Mini cylinder
 Steel with zinc coated



Symbol Bore	B	C		C(MSA Series)		C(MSAL Series)		BB	BC	BD	BE	BF	BP	F
		MA Series	MAL Series	0-50	51-100	0-50	51-100							
16	38	60	-	60	85	-	-	3	26	-	52	40	5.5	16
20	40	76	70	76	101	70	95	4	38	-	64	50	6.5	12
25	44	76	70	76	101	70	95	4	38	-	64	50	6.5	14
32	44	76	70	76	101	70	95	4	47	33	72	58	6.5	14
40	46	76	92	76	101	92	117	4	50	36	84	70	6.5	14

Assembly Pneumatic Cylinder Kits

a) DNC ISO6431 standard cylinder kits



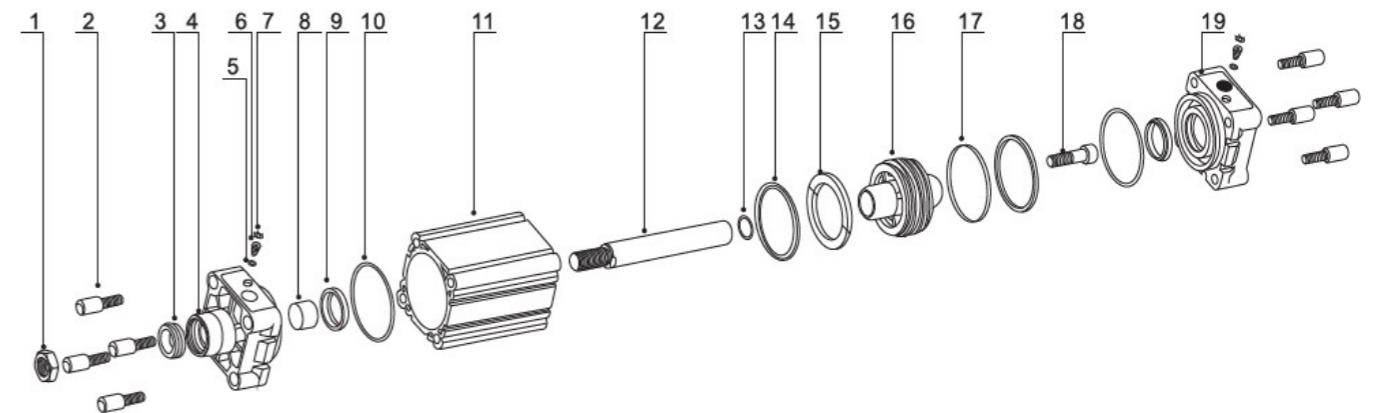
Ordering Code:

DNC - 50
 ↑ ↑
 Cylinder type Bore of cylinder
 Φ32~125mm

Material list:

Model/ Specification	Part name	Material	Part name	Material
DNC Kits (ISO6431&V DMA24562) Bore size: φ 32,40, 50,63,80, 100,125	Front cover	Aluminum alloy	Piston seal	NBR
	Back cover	Aluminum alloy	Wear ring	PA66
	Piston	Aluminum alloy	Self lubricating bearing	PTFE+Brass
	Piston rod(Without)	S45C hard chrome carbon steel	Magnet(optional)	RbFeb
	Barrel(Without)	Hard anodized aluminum	Cushion needle	Brass
	Front Cover seal	PUR	Hexagon screw	Carbon steel
	Cushion seal	NBR	Nut	Carbon steel
	Piston rod O-ring	NBR	Profile bolt	Carbon steel
	Cover O-ring	NBR		

Internal Structure:



NO	Designation	NO	Designation	NO	Designation	NO	Designation	NO	Designation
1	Nut	5	O-ring	9	Cushion seal	13	Rod O-ring	17	Wear ring
2	Profile bolt	6	Adjustable screw	10	Cover O-ring	14	Piston seal	18	Hex Socket Screw
3	Front Cover seal	7	Block slip	11	Barrel(Without)	15	Magnet(optional)	19	Back cover
4	Front cover	8	Self Lubricating bearing	12	Piston rod(Without)	16	Piston		

b) SI ISO6431 standard cylinder kits



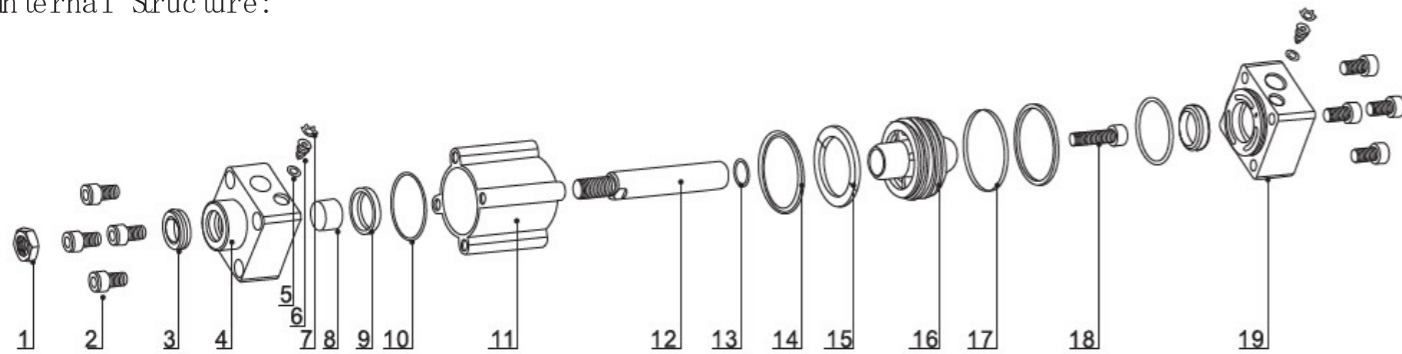
Ordering Code:

SI - 50
 ↑ ↑
 Cylinder type Bore of cylinder
 Φ32~200mm

Material list:

Model/ Specification	Part name	Material	Part name	Material
SI Kits (ISO6431) Bore size: φ 32,40,50, 63,80,100,125, 160,200	Front cover	Aluminum alloy	Piston seal	NBR
	Back cover	Aluminum alloy	Wear ring	PA66
	Piston	Aluminum alloy	Self lubricating bearing	PTFE+Brass
	Piston rod(Without)	S45C hard chrome carbon steel	Magnet(optional)	RbFeb
	Barrel(Without)	Hard anodized aluminum	Cushion needle	Brass
	Front Cover seal	NBR	Hexagon screw	Carbon steel
	Cushion seal	NBR	Nut	Carbon steel
	Piston rod O-ring	NBR	Profile bolt	Carbon steel
	Cover O-ring	NBR		

Internal Structure:



NO	Designation	NO	Designation	NO	Designation	NO	Designation	NO	Designation
1	Nut	5	O-ring	9	Cushion Seal	13	Rod O-ring	17	Wear ring
2	Profile bolt	6	Adjustable screw	10	Cover O-ring	14	Piston seal	18	Hex Socket screw
3	Front Cover seal	7	Block slip	11	Barrel(Without)	15	Magnet(optional)	19	Back cover
4	Front cover	8	Self Lubricating bearing	12	Piston rod(Without)	16	Piston		

c) SC standard cylinder kits



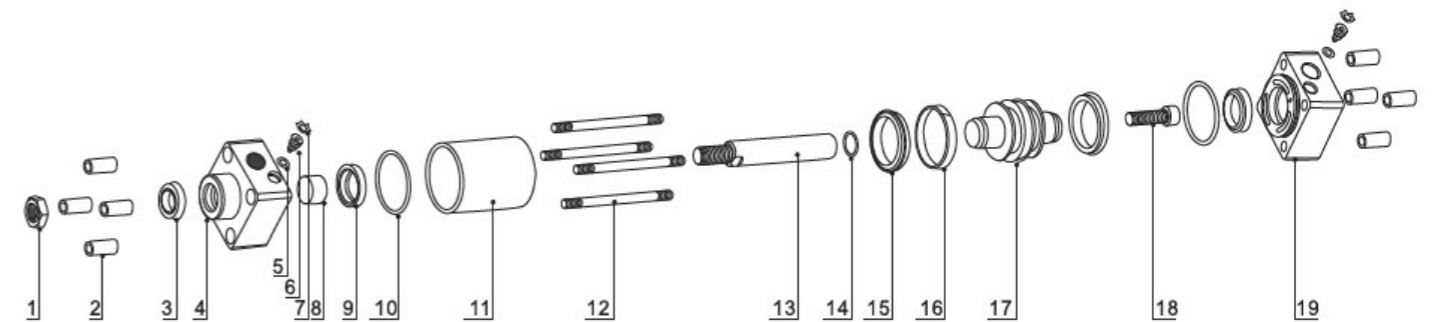
Ordering Code:

SC - 50
 □ □
 Cylinder type Bore of cylinder
 □32~200mm

Material list:

Model/ Specification	Part name	Material	Part name	Material
SC Kits Bore size: φ 32,40,50, 63,80,100,125, 160,200,	Front cover	Aluminum alloy	Piston seal	NBR
	Back cover	Aluminum alloy	Wear ring	PA66
	Piston	Aluminum alloy	Self lubricating bearing	PTFE+Brass
	Piston rod(Without)	S45C hard chrome carbon steel	Magnet(optional)	RbFeb
	Barrel(Without)	Hard anodized aluminum	Cushion needle	Brass
	Front Cover seal	NBR	Hexagon screw	Carbon steel
	Cushion seal	NBR	Nut	Carbon steel
	Piston rod O-ring	NBR	Tie-rod nut	Carbon steel
	Cover O-ring	NBR		

Internal Structure:



NO	Designation	NO	Designation	NO	Designation	NO	Designation	NO	Designation
1	Nut	5	O-ring	9	Cushion ring	13	Piston rod(Without)	17	Piston
2	Tie-rod nut	6	Adjustable screw	10	Cover O-ring	14	Rod O-ring	18	Hex Socket Screw
3	Front Cover seal	7	Block slip	11	Barrel(Without)	15	Piston seal	19	Back cover
4	Front cover	8	Self Lubricating bearing	12	Tie rod(Without)	16	Wear ring		

d) DSN, MA mini cylinder kits



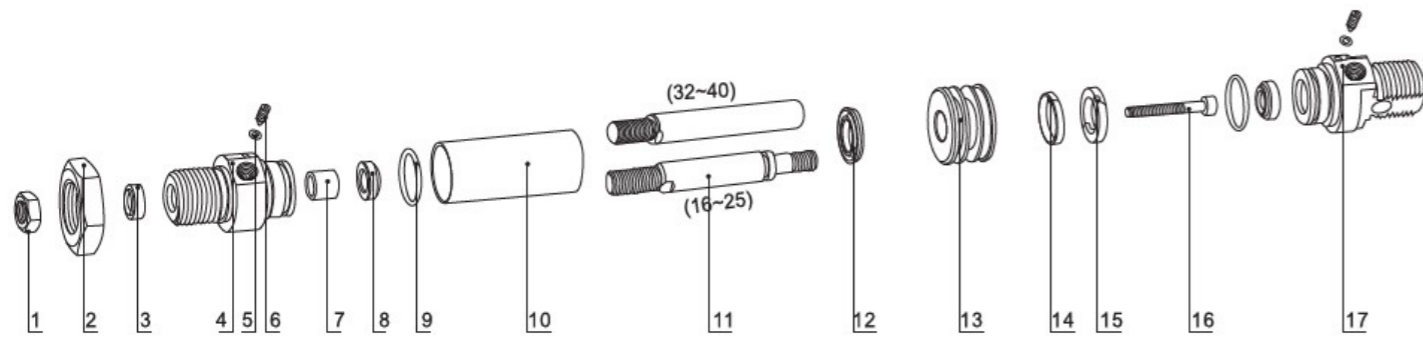
Ordering Code:

DSN – 25
 ↑ ↑
 Cylinder type Bore of cylinder
 Φ8~40mm

Material list:

Model/ Specification	Part name	Material	Part name	Material
MA Kits Bore size: φ 16,20,25,32,40	Front cover	Aluminum alloy	Piston seal	NBR
	Back cover	Aluminum alloy	Wear ring	PA66
MA6432 Kits (ISO6432) Bore size: φ 8,10,12, 16,20,25	Piston	Aluminum alloy	Self lubricating bearing	PTFE+Brass
	Piston rod(Without)	S45C hard chrome carbon steel	Magnet(optional)	RbFeb
	Barrel(Without)	Stainless Steel	Cushion needle	Brass
	Front Cover seal	NBR	Hexagon screw	Carbon steel
	Cushion seal	NBR	Nut	Carbon steel
	Piston rod O-ring	NBR		
	Cover O-ring	NBR		

Internal Structure:



NO	Designation	NO	Designation	NO	Designation	NO	Designation	NO	Designation
1	Rod nut	5	O-ring	9	Cover O-ring	13	Piston	17	Back cover
2	Cover Nut	6	Adjustable screw	10	Barrel(Without)	14	Wear ring		
3	Front Cover seal	7	Self Lubricating bearing	11	Piston rod(Without)	15	Magnet(optional)		
4	Front cover	8	Cushion ring	12	Piston seal	16	Hexagon Screw		

e) MAL mini cylinder kits



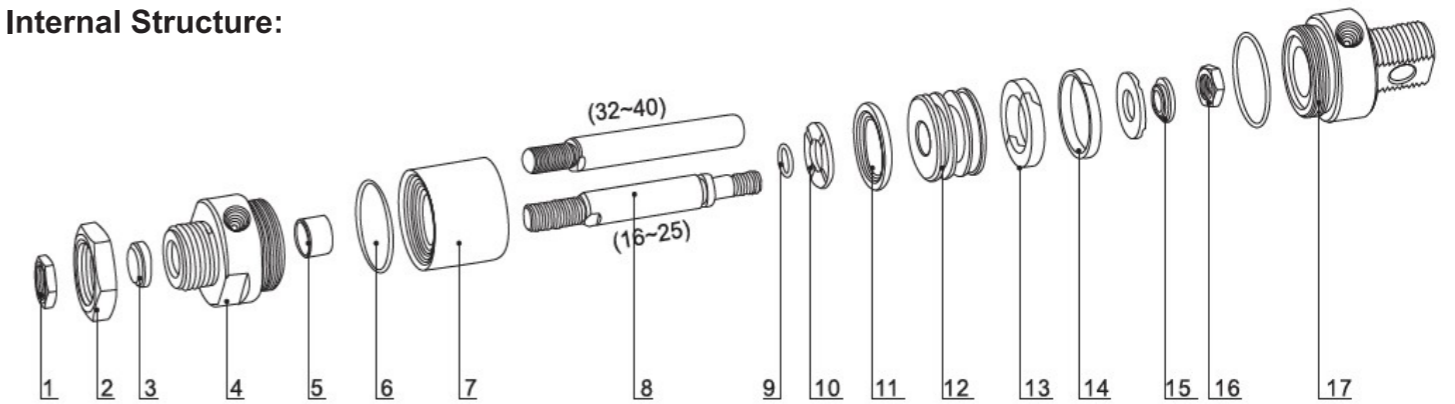
Ordering Code:

MAL – 25
 ↑ ↑
 Cylinder type Bore of cylinder
 Φ16~40mm

Material list:

Model/ Specification	Part name	Material	Part name	Material
MAL Kits Bore size: φ 16,20, 25,32,40	Front cover	Aluminum alloy	Piston seal	NBR
	Back cover	Aluminum alloy	Wear ring	PA66
	Piston	Aluminum alloy	Self lubricating bearing	PTFE+Brass
	Piston rod(Without)	S45C hard chrome carbon steel	Magnet(optional)	RbFeb
	Barrel(Without)	Hard anodized aluminum	Cushion needle	Brass
	Anti-bump cushion	NBR	Hexagon screw	Carbon steel
	Front Cover seal	NBR	Nut	Carbon steel
	Cover O-ring	NBR	Muffler	Cu

Internal Structure:



NO	Designation	NO	Designation	NO	Designation	NO	Designation	NO	Designation
1	Rod nut	5	Self Lubricating bearing	9	Rod O-ring	13	Magnet(optional)	17	Back cover
2	Cover Nut	6	Cover O-ring	10	Anti-bump cushion	14	Wear ring		
3	Front Cover seal	7	Barrel(Without)	11	Piston seal	15	Impact gasket		
4	Front cover	8	Piston rod(Without)	12	Piston	16	Nut		

f) SDA compact cylinder kits



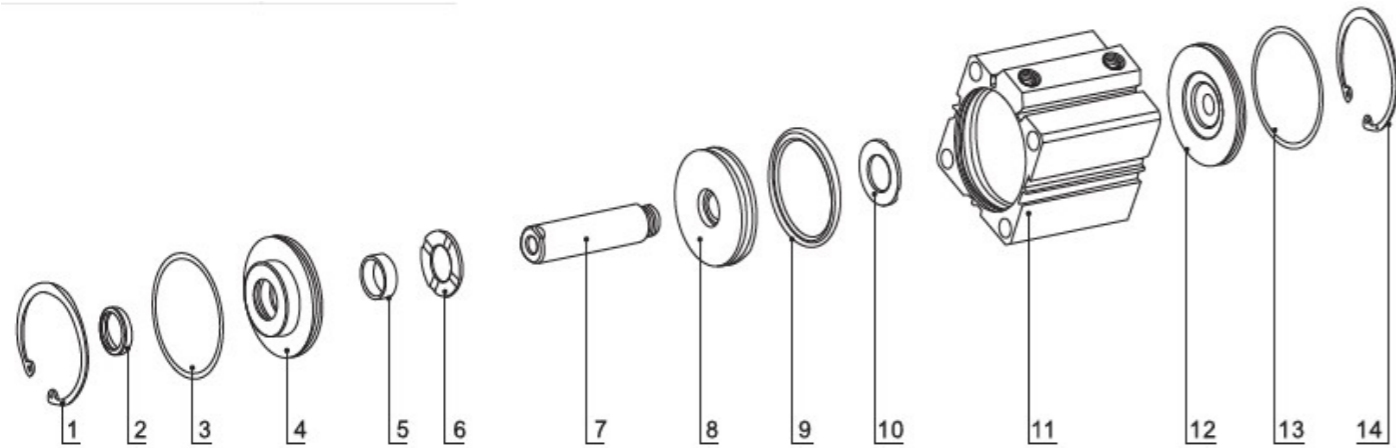
Ordering Code:

SDA - 40
 ↑ ↑
 Cylinder type Bore of cylinder
 Φ12~100mm

Material list:

Model/ Specification	Part name	Material	Part name	Material
SDA Kits Bore size: φ 12,16,20, 25,32,40, 50,63,80,100	Front cover	Aluminum alloy	Piston seal	NBR
	Back cover	Aluminum alloy	Self lubricating bearing	PTFE+Brass
	Piston	Aluminum alloy	Magnet(optional)	RbFeb
	Piston rod(Without)	S45C hard chrome carbon steel	C type buckle	Steel
	Barrel(Without)	Hard anodized aluminum	Nut	Carbon steel
	Anti-bump cushion	NBR	Muffler	Cu
	Cover O-ring	NBR		

Internal Structure:



NO	Designation	NO	Designation	NO	Designation	NO	Designation	NO	Designation
1	C type buckle	4	Front cover	7	Piston rod(Without)	10	Anti-bump cushion	13	Cover O-ring
2	Front cover seal	5	Self Lubricating bearing	8	Piston	11	Barrel(Without)	14	C type buckle
3	Cover O-ring	6	Anti-bump cushion	9	Piston Seal	12	Back cover		

Aluminum Cylinder Tube & Stainless Steel Cylinder Tube

a) DNC Square cylinder barrel



Ordering Code:

TUBE - 50 - DNC
 ↑ ↑ ↑
 Aluminum barrel Bore of cylinder Cylinder type
 Φ32~125mm

b) SC Round barrel



Ordering Code:

TUBE - 63 - SC
 ↑ ↑ ↑
 Aluminum barrel Bore of cylinder Cylinder type
 Φ32~200mm

c) SI Mickey Mouse barrel



Ordering Code:

TUBE - 80 - SI
 ↑ ↑ ↑
 Aluminum barrel Bore of cylinder Cylinder type
 Φ32~200mm

d) DSN, MA Stainless steel cylinder tube



Ordering Code:

TUBE - 80 - DSN
 ↑ ↑ ↑
 SS304 tube Bore of cylinder Cylinder type
 Φ16~40mm

Magnetic Switch & Magnetic Sensor

a) CS1-M, CS1-MP, CS1-MN Magnetic sensor for DNC standard cylinder

1. Ordering Code:

CS1	-	M	-	□
↑		↑		↑
Magnetic sensor		M:Basic two cables MN:NPN type MP:PNP type		Length of cable Blank:1m 2m 3m 4m 5m



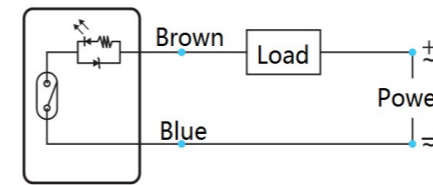
2. Characteristics:

- 1) The CS1-M series magnetic switches are used for ISO6431 **DNC** standard cylinders only.
- 2) The default length of cable is 1meter, more length can be selected, like 2m,3m,4m,5m...
- 3) Mounting it conveniently on the cylinder.

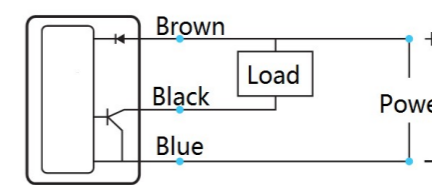
3. Specification:

Model	CS1-M	CS1-MN	CS1-MP
Switch logic	SPST Normal open	Electronic non-contact, Normal open	
Sensor type	Reed switch type	NPN type, current-in	PNP type, current-out
Operating Voltage	5~240V DC/AC	5~30V DC	
Switching Current	100mA max	200mA max	
Contact Rating	10W max	6W max	
Current Consumption	No	20mA max@24V (switch active)	
Voltage Drop	2.5V max@100mA	0.5V max@200mA	
Leakage Current	No	0.01mA max	
Indicator	LED in red	LED in red	LED in green
Cable	Φ3.2, 2C, Gray PVC	Φ3.2, 2C, Black PVC	
Sensitivity	40 Gauss		
Max.switch Frequency	200Hz	1000Hz	
Temperature Range	-10~70°C		
Shock	30G	50G	
Vibration	9G		
Fence Classification	IEC 529 IP67 (NEMA6)		
Protection Circuit	No	Reverse Polarity protection, short circuit protection, Surge absorbing protection	

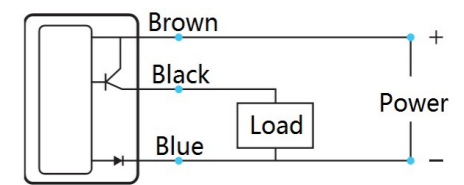
4. Connection Diagram: CS1-M type



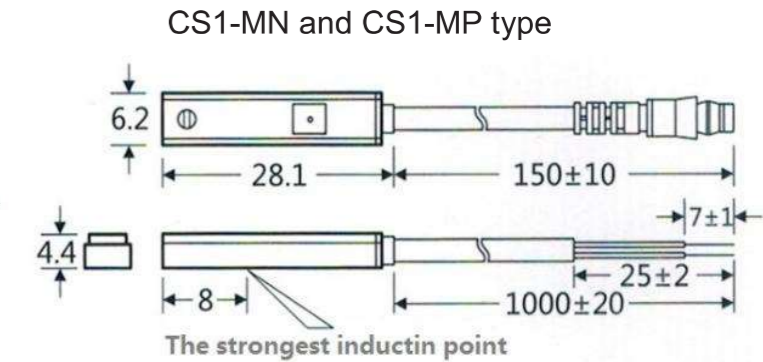
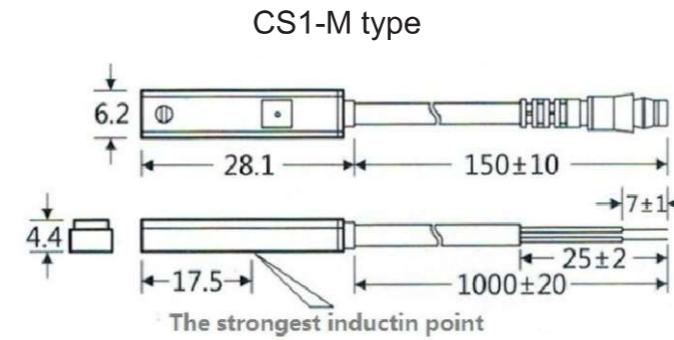
CS1-MN type



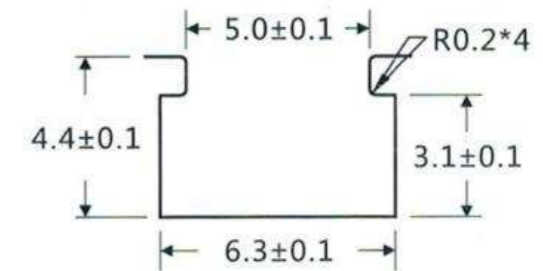
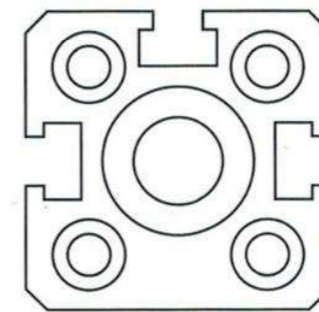
CS1-MP type



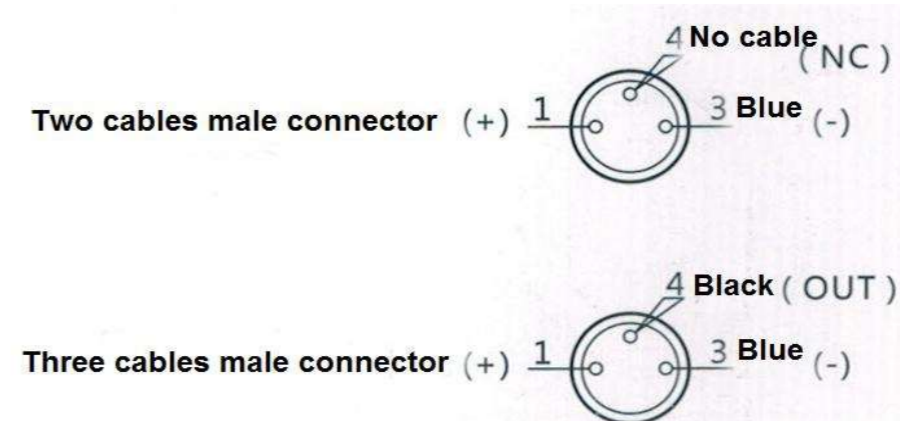
5. Over and dimension:



6. Dimension of groove:



7. QD quick connecting diagram:



b) CS1-U, CS1-UP, CS1-UN Magnetic sensor for SC, SU, SI standard cylinder



1. Ordering Code:

CS1	-	U	-	□
↑		↑		↑
Magnetic sensor		U:Basic two cables UB:Normal closed		Length of cable Blank:1m
		Three cables:		
		UN:NPN type		2m
		UP:PNP type		3m
				4m
				5m

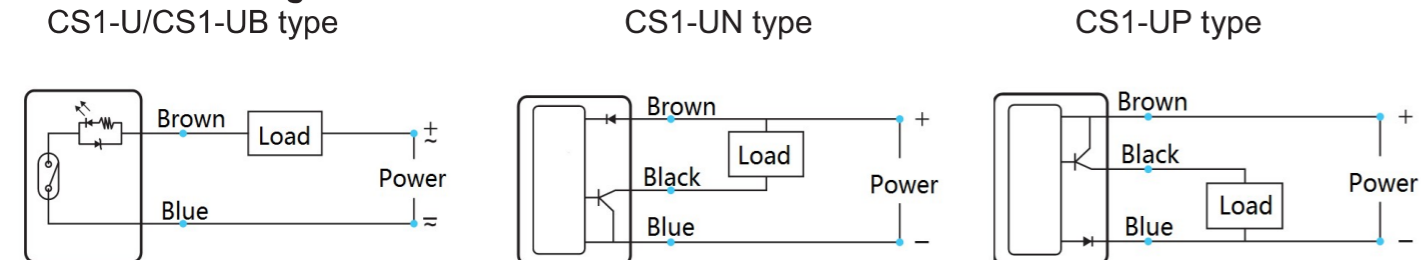
2. Characteristics:

- 1) The CS1-U series magnetic switches are used for **SC, SU, SI** standard cylinders.
- 2) The default length of cable is 1meter, more length can be selected, like 2m,3m,4m,5m...
- 3) Mounting it conveniently on the cylinder.

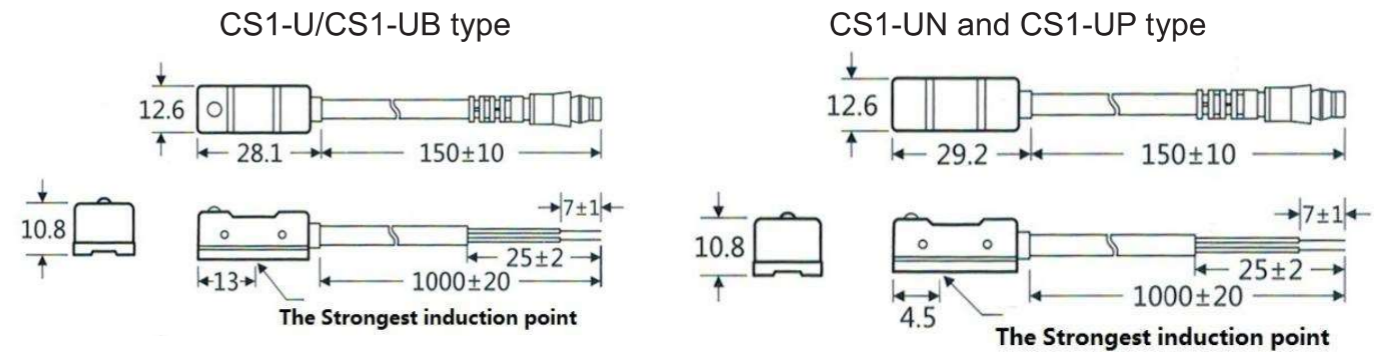
3. Specification:

Model	CS1-U	CS1-UB	CS1-UN	CS1-UP
Switch logic	Normal open	Normal closed	Electronic non-contact, Normal open	
Sensor type	Reed switch type		NPN type, current-in	PNP type, current-out
Operating Voltage	5~240V DC/AC	5~120vdc/ac	5~30V DC	
Switching Current	100mA max		200mA max	
Contact Rating	10W max		6W max	
Current Consumption	No		20mA max@24V (switch active)	
Voltage Drop	2.5V max@100mA		0.5V max@200mA	
Leakage Current	No		0.01mA max	
Indicator	LED in red	Led green	LED in red	LED in green
Cable	Φ3.8, 2C, Gray PVC		Φ3.8, 2C, Black PVC	
Sensitivity	60 Gauss			
Max.switch Frequency	200Hz		1000Hz	
Temperature Range	-10~70 °c			
Shock	30G		50G	
Vibration	9G			
Fence Classification	IEC 529 IP67 (NEMA6)			
Protection Circuit	No	Reverse Polarity protection, short circuit protection, Surge absorbing protection		

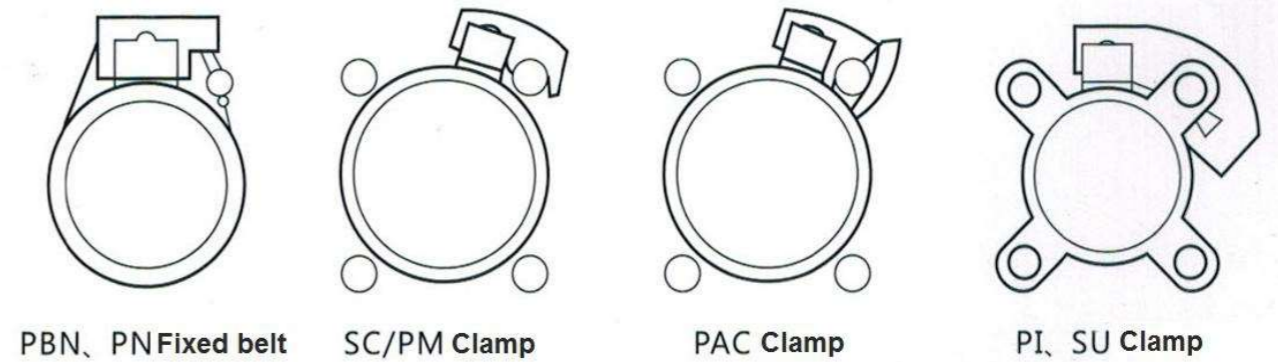
4. Connection Diagram:



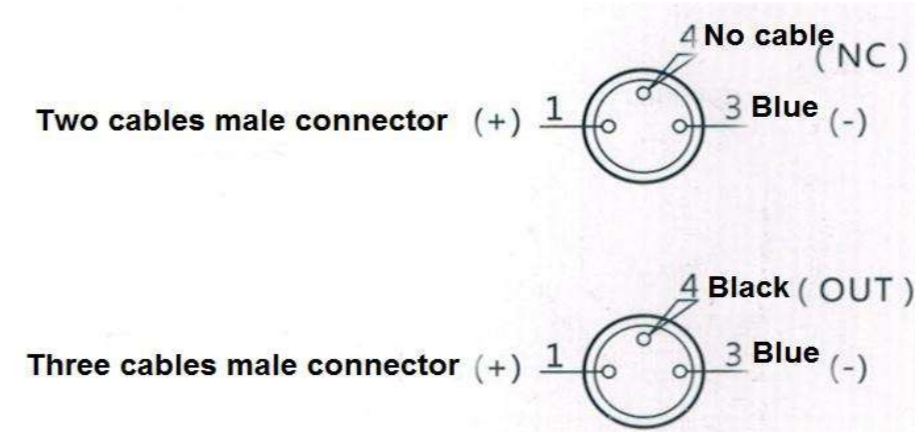
5. Over and dimension:



6. Clamp and fixed parts:



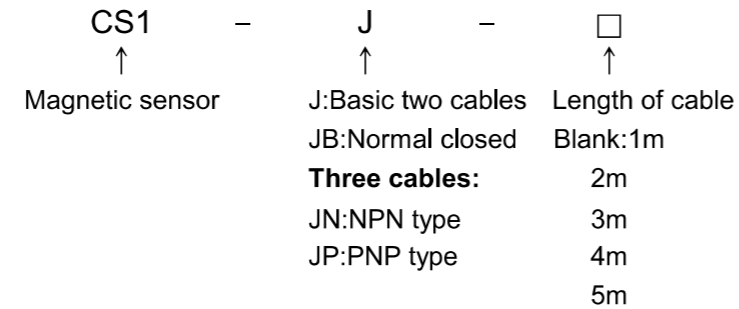
7. QD quick connecting diagram:



c) CS1-J,CS1-JP,CS1-JN Magnetic sensor for SDA compact cylinder



1. Ordering Code:



2. Characteristics:

- 1) The CS1-J series magnetic switches are used for SDA Compact cylinders.
- 2) The default length of cable is 1meter, more length can be selected, like 2m, 3m, 4m, 5m...
- 3) Mounting it conveniently on the cylinder.

3. Specification:

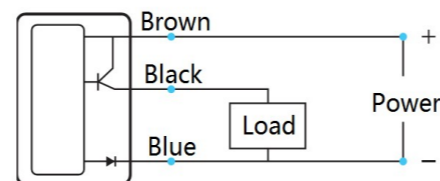
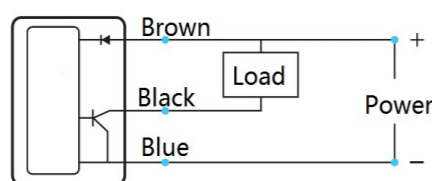
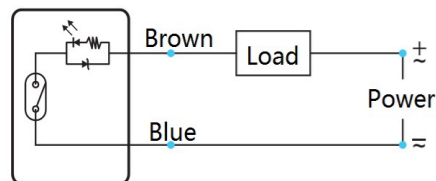
Model	CS1-J	CS1-JB	CS1-JN	CS1-JP
Switch logic	Normal open	Normal closed	Electronic non-contact, Normal open	
Sensor type	Reed switch type		NPN type, current-in	PNP type, current-out
Operating Voltage	5~240V DC/AC	5~120vdc/ac	5~30V DC	
Switching Current	100mA max		200mA max	
Contact Rating	10W max		6W max	
Current Consumption	No		20mA max@24V(switch active)	
Voltage Drop	2.5V max@100mA		0.5V max@200mA	
Leakage Current	No		0.01mA max	
Indicator	LED in red		LED in red	LED in green
Cable	Φ3.2, 2C, Gray PVC		Φ3.2, 2C, Black PVC	
Sensitivity	40 Gauss			
Max.switch Frequency	200Hz		1000Hz	
Temperature Range	-10~70°C			
Shock	30G		50G	
Vibration	9G			
Fence Classification	IEC 529 IP67 (NEMA6)			
Protection Circuit	No	Reverse Polarity protection, Surge absorbing protection		

4. Connection Diagram:

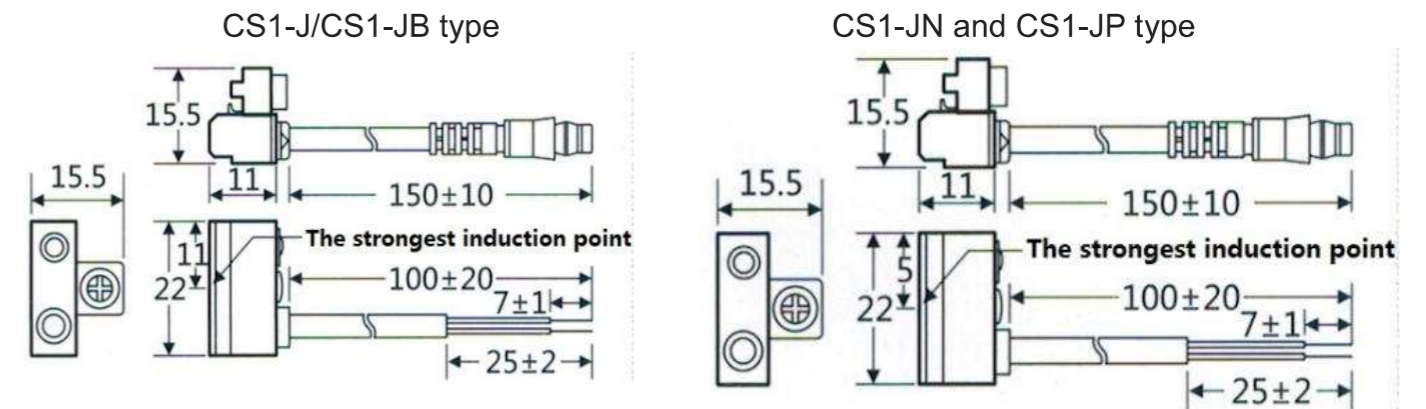
CS1-J/CS1-JB type

CS1-JN type

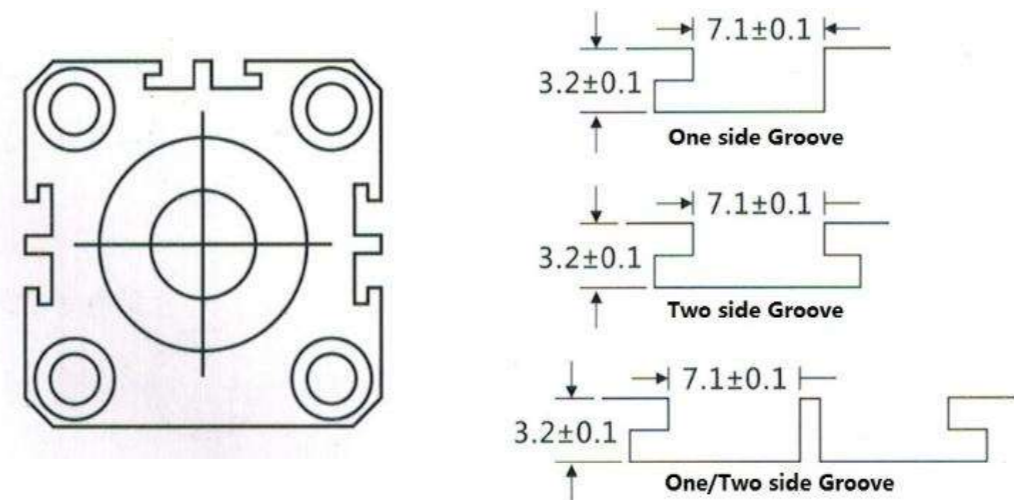
CS1-JP type



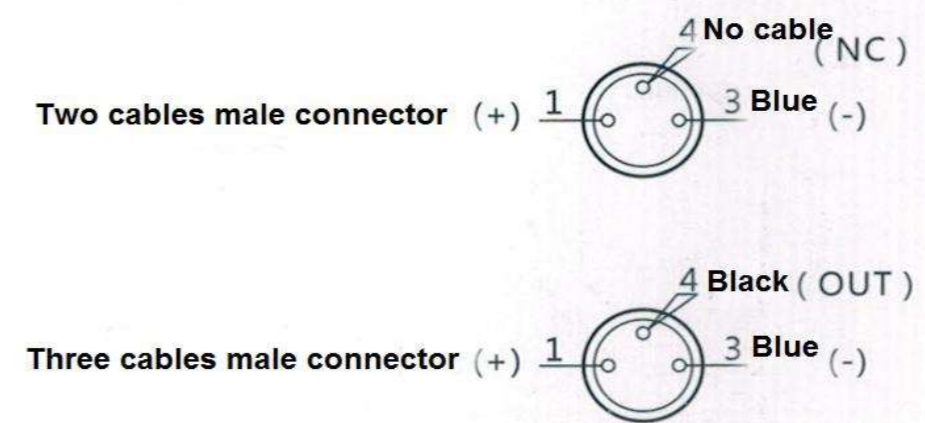
5. Over and dimension:



6. Dimension of groove:

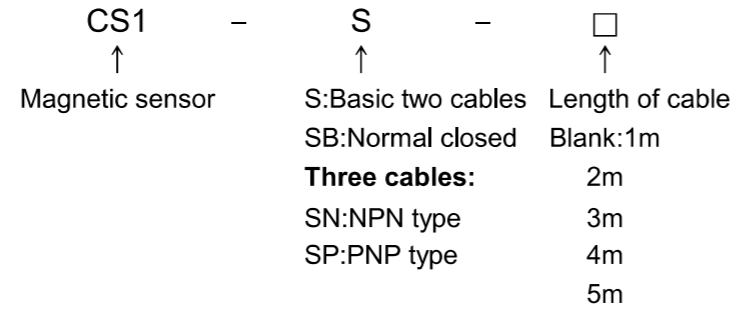


7. QD quick connecting diagram:



d) CS1-S,CS1-SP,CS1-SN Magnetic sensor for MA,MAL,DSN Mini cylinder

1. Ordering Code:



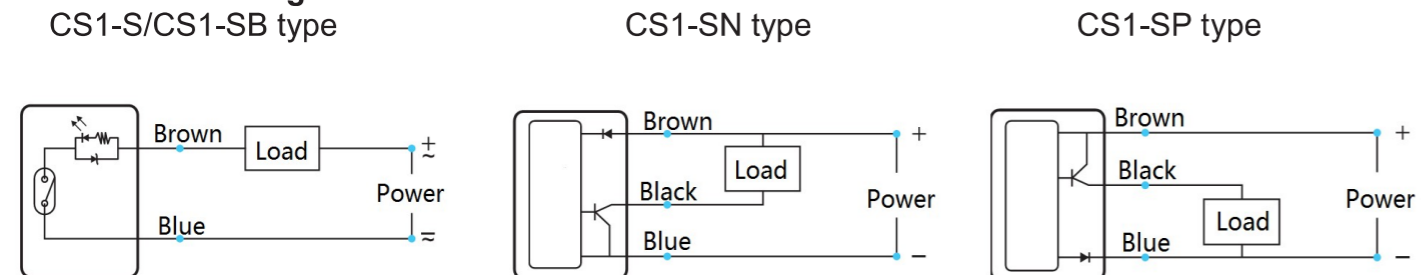
2. Characteristics:

- 1) The CS1-S series magnetic switches are used for **DSN,MA,MAL** mini cylinders.
- 2) The default length of cable is 1meter, more length can be selected,like 2m,3m,4m,5m...
- 3) Mounting it conveniently on the cylinder.

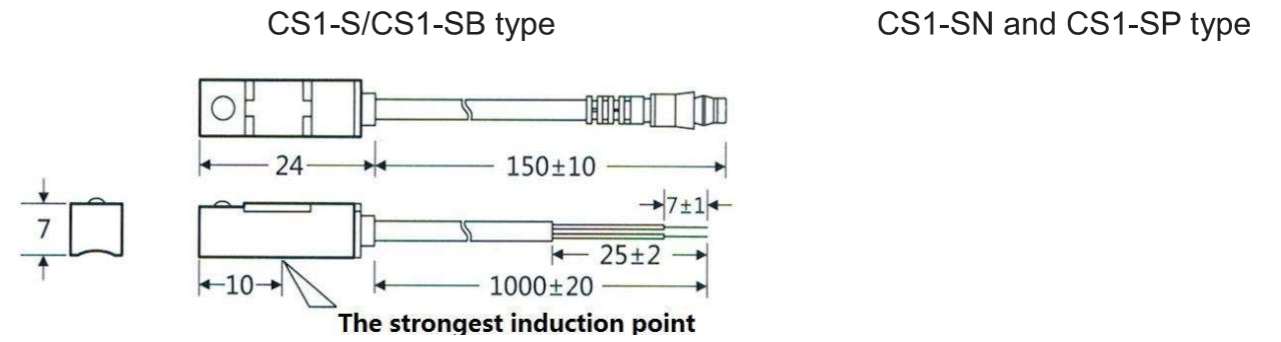
3. Specification:

Model	CS1-S	CS1-SB	CS1-SN	CS1-SP
Switch logic	Normal open	Normal closed	Electronic non-contact,Normal open	
Sensor type	Reed switch type		NPN type,current-in	PNP type,current-out
Operating Voltage	5~240V DC/AC	5~120vdc/ac	5~30V DC	
Switching Current	100mA max		200mA max	
Contact Rating	10W max		6W max	
Current Consumption	No		20mA max@24V(switch active)	
Voltage Drop	2.5V max@100mA		0.5V max@200mA	
Leakage Current	No		0.01mA max	
Indicator	LED in red		LED in red	LED in green
Cable	Φ3.2, 2C, Gray PVC		Φ3.2, 2C, Black PVC	
Sensitivity	60 Gauss			
Max.switch Frequency	200Hz		1000Hz	
Temperature Range	-10~70℃			
Shock	30G		50G	
Vibration	9G			
Fence Classification	IEC 529 IP67 (NEMA6)			
Protection Circuit	No	Reverse Polarity protection,Surge absorbing protection		

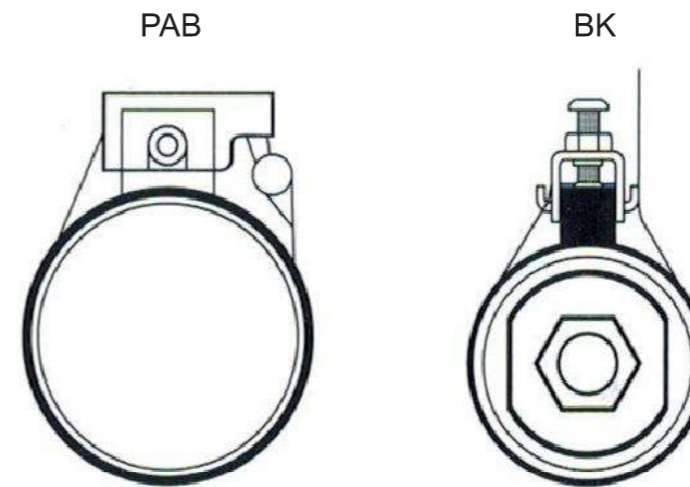
4. Connection Diagram:



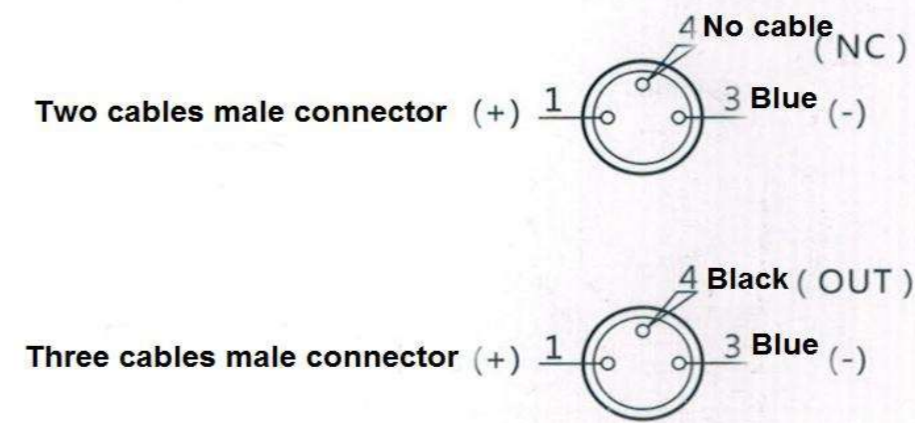
5. Over and dimension:



6. Fixed with PAB/BK stainless steel belt:



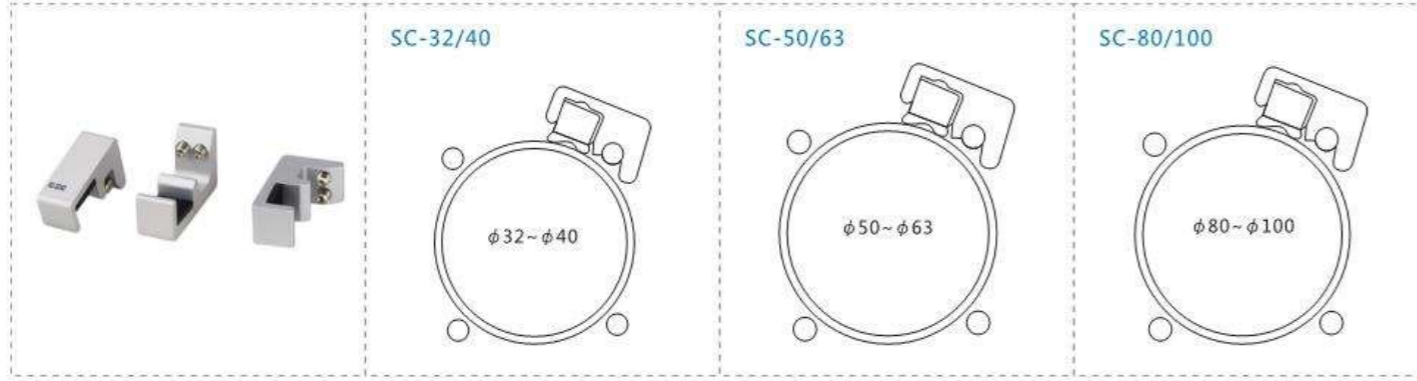
7. QD quick connecting diagram:



e) Accessories for magnetic switches

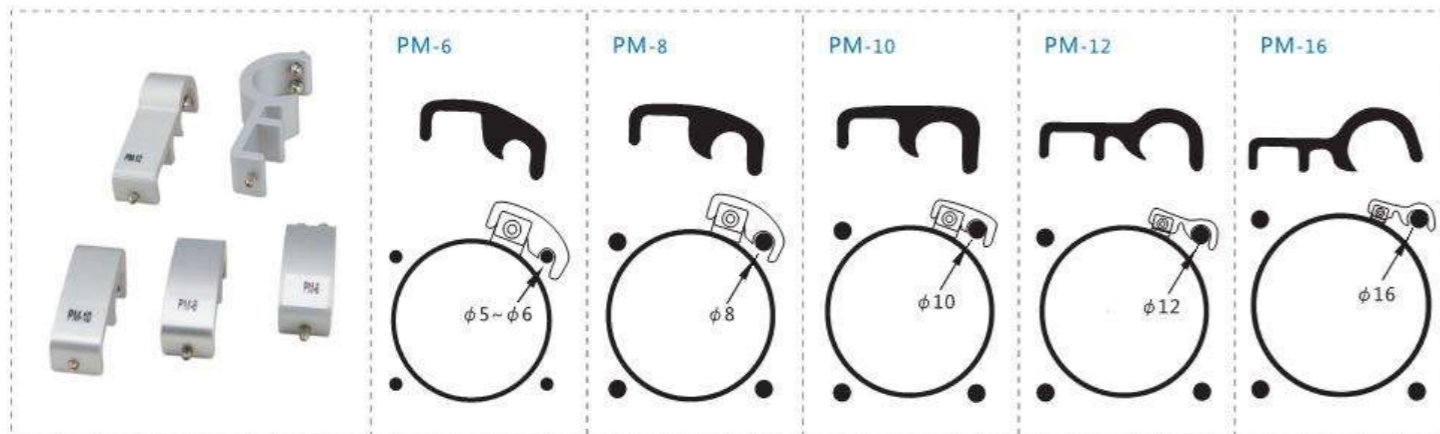
1. SC clamp for Round Cylinder barrel:
(Fixed with: CS1-U,CS1-F)

SC - 32/40
 ↑ ↑
 Clamp for SC cylinder Cylinder bore
 32mm~100mm



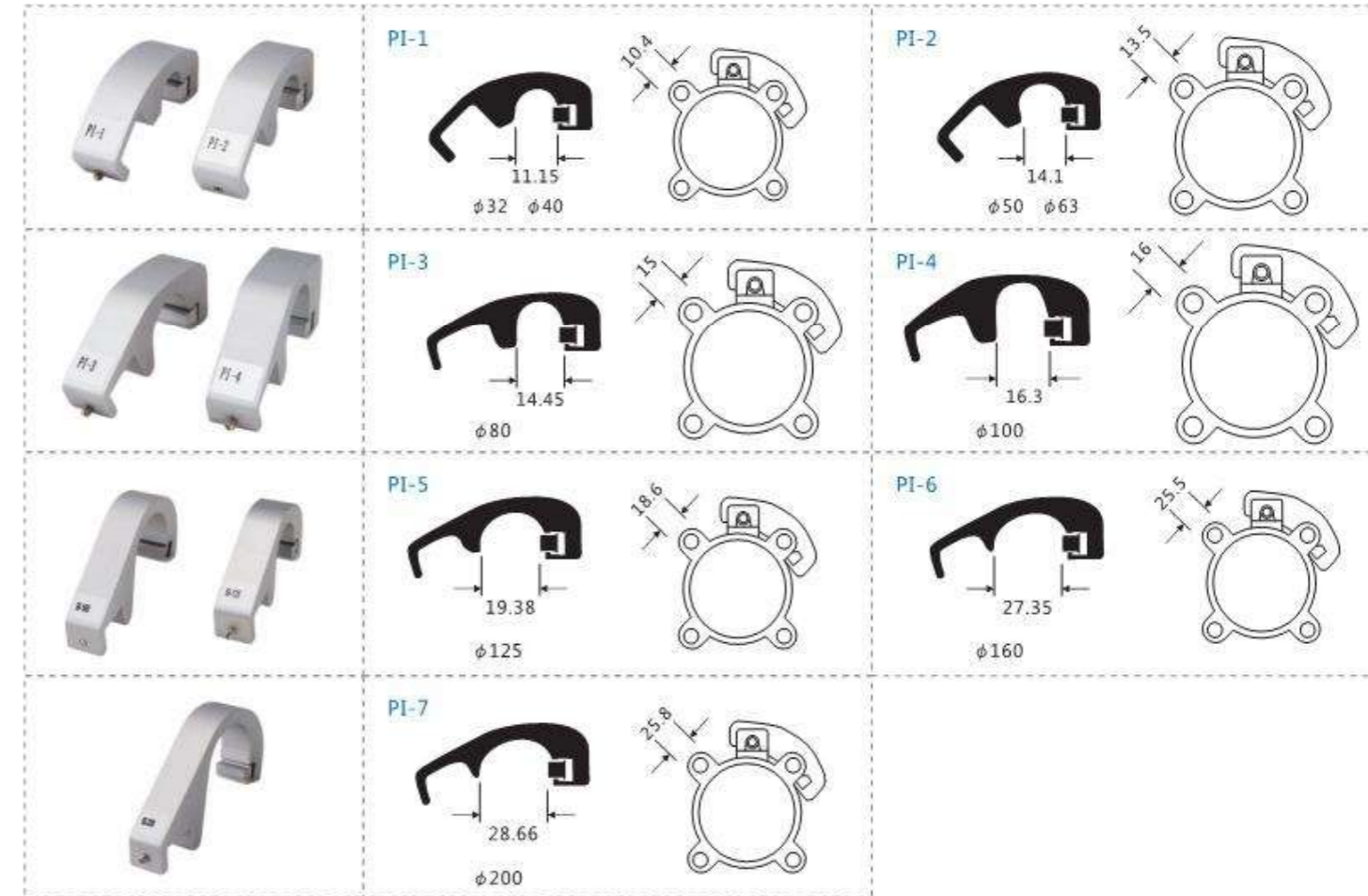
2. PM clamp for Round cylinder barrel:
(Fixed with: CS1-U,CS1-F)

PM - 6
 ↑ ↑
 Clamp for SC cylinder Pulling rod bore



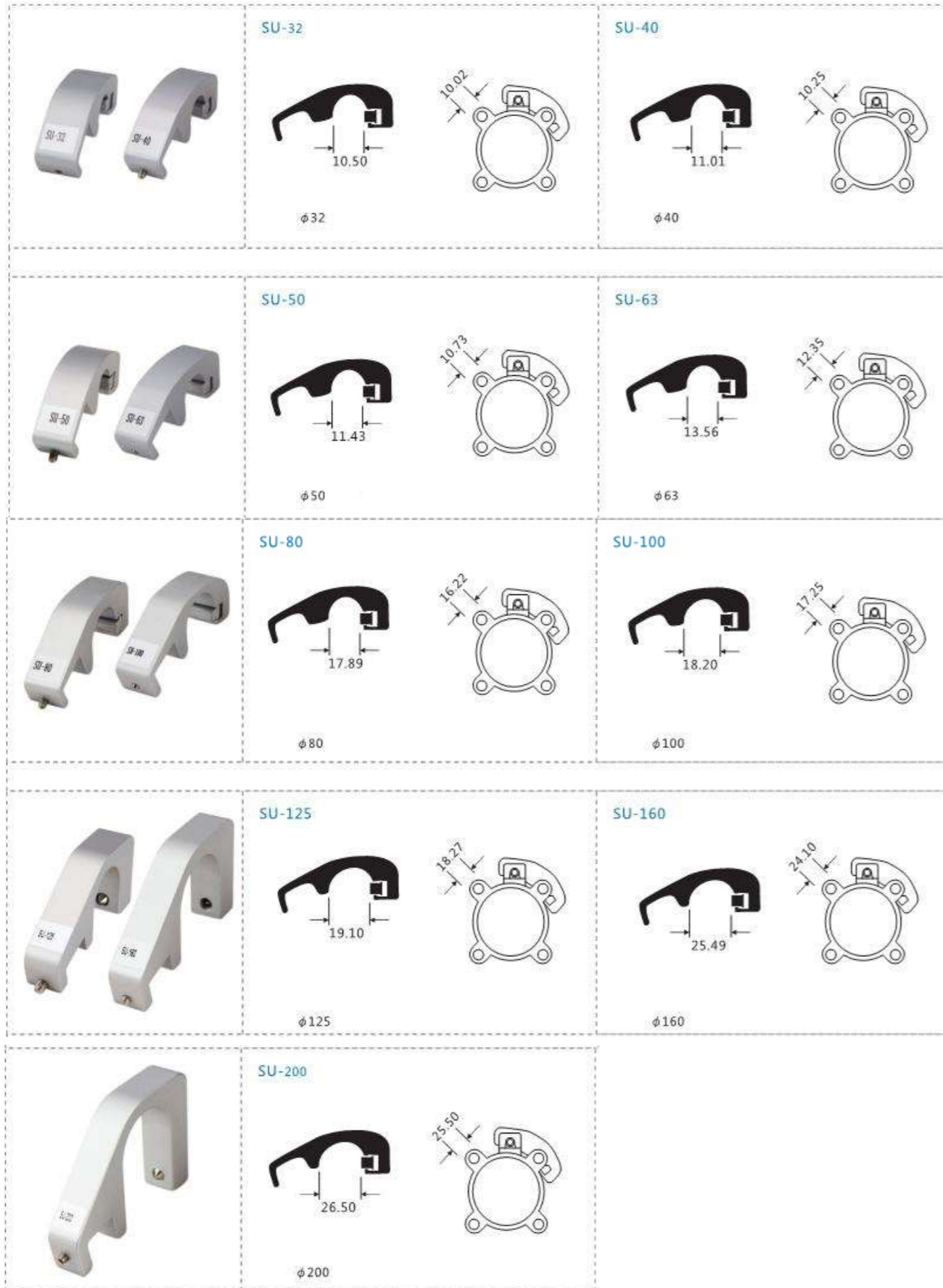
3. PI clamp for SI Micky Mouse cylinder barrel:
(Fixed with: CS1-U,CS1-F)

PI - 1
 ↑ ↑
 Clamp for SI cylinder Model
 1:φ32~φ40
 2:φ50~φ63
 3:φ80
 4:φ100
 5:φ125
 6:φ160
 7:φ200



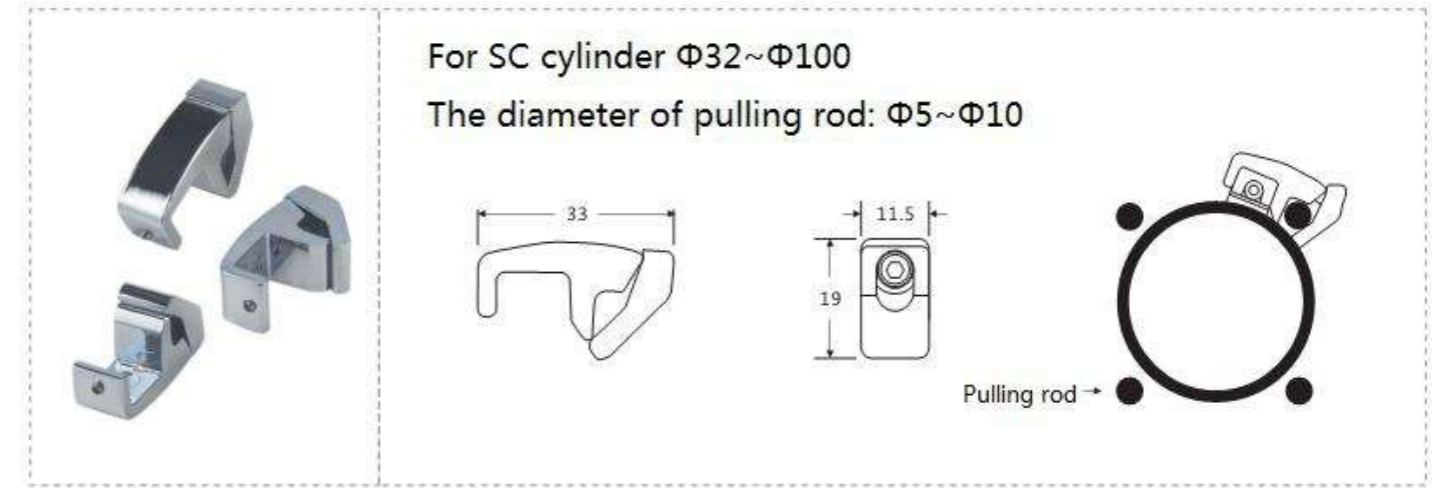
4. SU clamp for SU Micky Mouse cylinder barrel:
(Fixed with: CS1-U,CS1-F)

SU - 50
 ↑ ↑
 Clamp for SU cylinder Cylinder bore
 $\Phi 32 \sim \Phi 200$



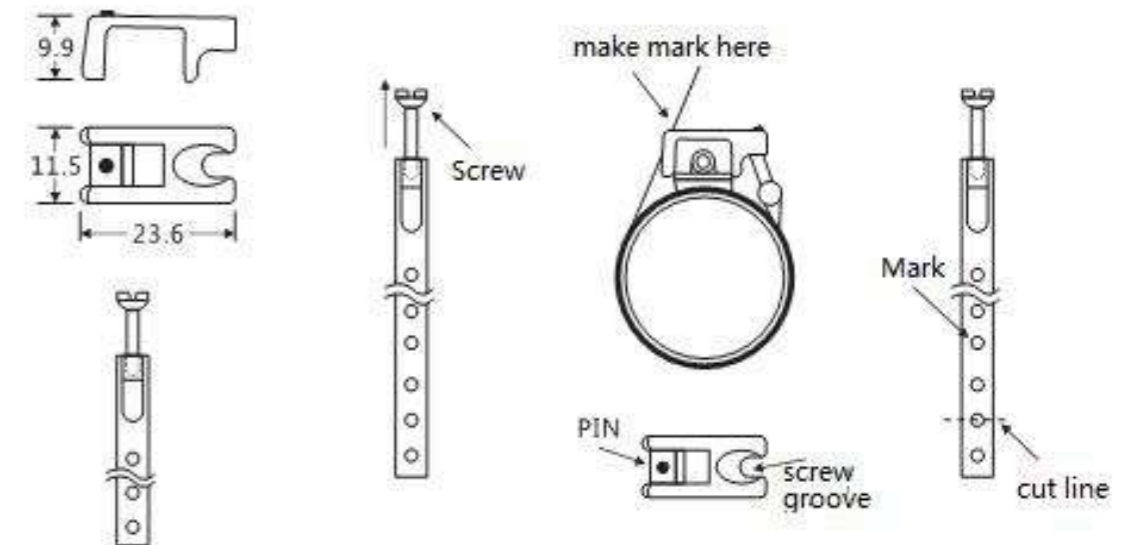
5. PAC clamp for SC Round cylinder barrel:
(Fixed with: CS1-U,CS1-F)

PAC - 50
 ↑ ↑
 Clamp for SC cylinder Cylinder bore
 $\Phi 32 \sim \Phi 200$



6. PAB fixed SS304 belt for DSN,MA,MAL Mini cylinder:
(Fixed with: CS1-S only)

PAB - 01
 ↑ ↑
 Clamp for Mini cylinder Model Length
 01: for $\Phi 6 \sim \Phi 63$ 210mm
 02: for $\Phi 6 \sim \Phi 125$ 420mm
 03: for $\geq \Phi 125$ 630mm



7. BK fixed SS304 belt for DSN,MA,MAL Mini cylinder:
(Fixed with: CS1-S only)



BK	-	01	
↑		↑	
Clamp for Mini cylinder		Model	Length
		01: for $\Phi 6\sim\Phi 32$	210mm
		02: for $\Phi 6\sim\Phi 63$	420mm

