

FESCOLO

PNEUMATIC PUSH TO CONNECT FITTINGS

Fescolo Pneumatic Co.,Ltd.

FESCOLO

Fescolo Pneumatic Co.,Ltd.

Sales Manager: Jeffrey Bu

Postal code: 315100

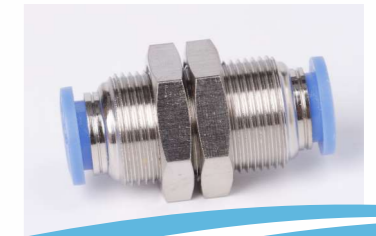
Tel.: +86 574 89258005

Cell phone.: +86 0 15057491870

Email: sales@fescolo.com

Web: www.fescolo.com

Add.: #98 Tiangao Lane, Yinzhou, Ningbo, Zhejiang, China



Company Profile

Fescolo pneumatic Co., Ltd. , found in 2001, which specializes in pneumatic products such as air cylinders, solenoid valves, pneumatic control valves, filter regulators, air hose, fittings and so on. We have an excellent technical research department, first-class production technology and equipments. All our workshops are in accordance with 6S principles. At present, we have 18 production lines, more than 2,000 production equipments, annual turnover of more than 20 million US dollars.

Until now, our customers are more than 80 countries around the world. Our major products include air cylinders, solenoid valves, pneumatic control valves, filter regulators, air hoses and fittings. The applications involve industrial automation, medical treatment, sanitary ware, automobile manufacturing, wire and cable, horticulture and agricultural irrigation etc. Furthermore, we accept ODM and OEM customization services, and can design logo and label for our customers.

Our chief technical engineer, Antonio Bonifazi from Italy, had worked as a technical engineer in Aigiro Group and NSG Group for many years. He has fruitful experience and unique technology in mechanical automation industry. Each product from Fescolo will go through 3 inspections at least before shipping, in order to guarantee every product you receive is perfect. The raw materials we use are the best and latest, never recycled or old materials. Basically, all our molds are developed and designed by ourselves, which ensures the stability of product quality. At present, 70% workshops realize automatic production, which greatly increases the production capacity. Compared with last year, the annual production capacity has increased by more than 50%. In addition, there are a large number of workblanks and semi-finished products available in stock. From order confirmation to delivery, usually it takes only 3~10 working days. We have stable freight forwarders by sea, air and train, so that we can deliver the goods to our customers with the best price and service.

Most of our products includes a one-year or 6-month warranty. Many replacement parts are available in stocked they can be shipped within 3days. Our technical sales team experienced and reliable can provide best services from pre-sales to after-sale, as well as technical support and consultancy. We are on a mission to create a green and healthy production environment for our employees, to provide our customers with professional and efficient services, energy-saving and stable quality products.

Warmly welcome and opening up the boundaries of our communication. Sincerely, we are looking forward to your cooperation in the near future. FESCOLO, your trusted partner forever.



CONTENTS

Cautions in Application of Tube Joint.....	01/03
Metric Size-R(PT)Thread Type.....	04/31
Metric Size-G Thread Type.....	32/47
Inch Size-NPT Thread Type.....	48/61
Pneumatic Mini Type Push In Fitting	62/69
Throttle Valve	70/77
Hand Valves	78/85
Pneumatic Muffler	86/89

Cautions in Application of Tube Joint

Before use, it should make clear following points

Warning

- 1.Except air and water (only special type and custom–design),never attempt to use the tube joint other fluids.
- 2.The tube joint application is prohibited where spark and fire might be occurred.
- 3.The tube joint application is prohibited if water temperature is above 60°C because resin might be decomposed and damaged in water under a high temperature.
- 4.The tube joint is not designed for application where there is static charge.
- 5.Never apply tube joint with additional external load (bending, twist or pulling), otherwise damage or leakage will be occurred.

Caution

- 1.It you use other supplier tubing, the different tubing tolerance might cause leakage or incorrect connection and disassembly.It must check if tubing OD is in compliance with the specification as listed in following table.

Size	Polyurethane Tube	Nylon Tube
Φ4mm	± 0.10	± 0.08
Φ6mm	± 0.12	± 0.10
Φ8mm	± 0.12	± 0.10
Φ10mm	± 0.15	± 0.12
Φ12mm	± 0.15	± 0.12
Φ16mm	± 0.15	± 0.16

- 2.Always check the end of tubing for a right angle cutting and check the external surface of tubing for any damage or scratch. Please refer to following instruction in connection of tubing. When you insert the air tubing into the joint, you will have two–step feeling. Section One is locking claw while Section Two is sealing ring. You must insert the tube into Section Two.

Sleeve is used in tubing connection and disconnection. The sleeve is designed as an oval shape, which is convenient in assembly and disassembly. However, round steeve is available to meet any customer special demand if the customer product has limited space for oval sleeve. After connection of tube joint and tubing, always try to pull tubing and ensure its firm connection.

The minimum insertion length of tubing is as listed, however, the tubing length tolerance as listed is necessary in practice.

Tube Size		Φ4	Φ6	Φ8	Φ10	Φ12	Φ16
Sleeve Size	Metal	14.6	15.2	16.2	18.7	21.7	24.5
	Plastic	15.1	16	18.1	20.4	23.2	24.2

- 3.Cautions during disassembly of tubing Before disconnection of tubing, always check tubing internal pressure for zero.
For disconnection of tubing, always press sleeve heavily and then pull out tubing. If sleeve is net pressed with enough force, it is hard to pull out tubing and external surface scratch might be resulted by locking claw, which is the cause of air leakage.
Don't swing or rotate tubing in disconnection otherwise groove might be resulted on the tubing surface by locking claw to prevent tubing from pulling.

Metric Size-R(PT)Thread Type

4. Always use proper tool to tighten external hexagonal and internal hexagonal parts of the tube joint.

Always apply recommended torque on screws otherwise extra torque might damage thread and cause air leakage while insufficient torque might cause loose screws and air leakage.

After screws are tightened, you may adjust the direction of tubing with most of our tube joint. If it is hard in adjustment, you may apply recommended torque to turn screw to adjust direction of tubing.

Recommended Torque for Different Thread Specification

Thread Type	Thread Specification	Torque(kgf.cm)
Metric thread	M3	7
	M5	15-19
	M6	20-27
R/Rc thread	R/Rc1/8	70-90
	R/Rc1/4	120-140
	R/Rc3/8	220-240
	R/Rc1/2	280-300
UNF(Unified) thread	NO.10-32	
	UNF	
NPT thread	1/16	70-90
	1/8	70-90
	1/4	120-140
	3/8	220-240
	1/2	280-300



Specification

Fluid	Air, vacuum
Pressure Range	0~1.0MPa
Negative Pressure	-100KPa(10Torr)
Max Pressure	1.5MPa
Temperature Range	0~60°C
Applicable Tube	NYLON(PA)Polyurethane(PU)

① **Type**

② **Tube Outer Diameter**

	Metric Size					
Code	04	06	08	10	12	16
Tube Outer Diameter	Φ4	Φ6	Φ8	Φ10	Φ12	Φ16

	Metric Size			
Code	M5	M6	M8	M10
Thread	M5x0.8	M6x1	M8x1	M10x1

Characteristics

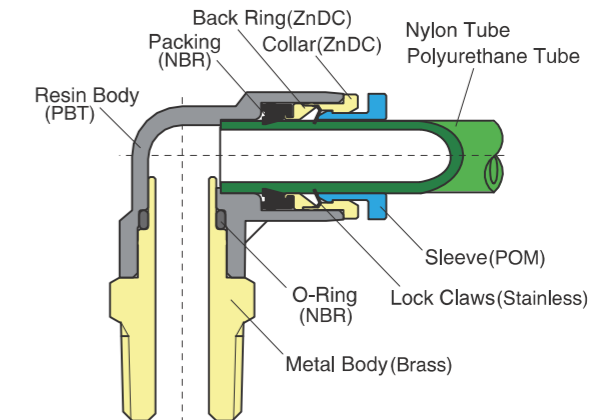
1. Quick installation, simple and flexible, space-saving.
2. The tube fitting comes in a wide variety of models to meet all your needs in pneumatic piping.
3. Even after installation, the direction of tubing can be changed freely.
4. The release ring adopts the ellipse design to make it more convenient and labor-saving for disconnection.
5. All taper threads are pre-coated with Teflon with fine seal performance.
6. All fittings are equipped with the internal hexagonal holes. It is easy for them to be mounted in the narrow places.

Product Code System

PC 08 - 01

① ② ③

Structure Chart



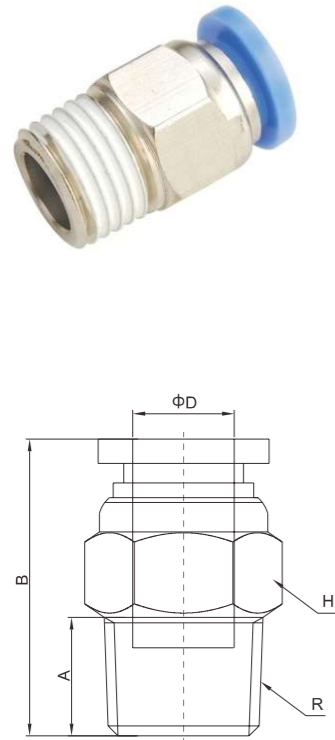
③ **Thread Type and Size**

	55° Taper Pipe Thread				
Code	01	02	03	04	06
Thread	R1/8	R1/4	R3/8	R1/2	R3/4

Metric Size				
M12	M12A	M14	M16	M20
M12x1.25	M12Ax1.5	M14x1.5	M16x1.5	M20x1.5

PC

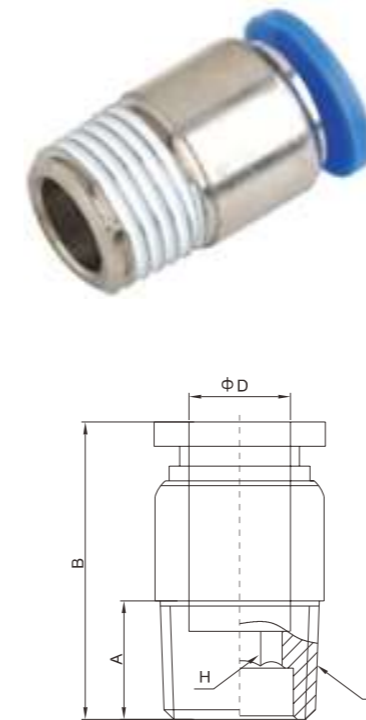
Male Straight



Model	ΦD	R	A	B	H	
PC 04-M5	4	M5	4	19	10	
PC 04-M6		M6	4	19	10	
PC 04-01		R1/8	7	19	10	
PC 04-02		R1/4	9.5	19	14	
PC 06-M5	6	M5	4	20.5	12	
PC 06-M6		M6	4	20.5	12	
PC 06-01		R1/8	7	20	12	
PC 06-02		R1/4	9.5	21	14	
PC 06-03	6	R3/8	10	21	17	
PC 06-04		R1/2	13	24	21	
PC 08-01		8	R1/8	7	24.5	14
PC 08-02			R1/4	9.5	24.5	14
PC 08-03	R3/8		10	22	17	
PC 08-04	R1/2		13	25	21	
PC 10-01	10	R1/8	7	29	17	
PC 10-02		R1/4	9.5	31	17	
PC 10-03		R3/8	10	28.5	17	
PC 10-04		R1/2	13	26	21	
PC 12-01	12	R1/8	7	30.5	20	
PC 12-02		R1/4	9.5	32.5	20	
PC 12-03		R3/8	10	29	20	
PC 12-04		R1/2	13	27.5	21	
PC 16-02	16	R1/4	9.5	33.5	24	
PC 16-03		R3/8	10	34	24	
PC 16-04		R1/2	13	35	24	

POC

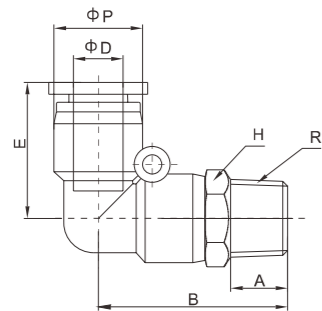
Hex. Holed Straight



Model	ΦD	R	A	B	H	
POC04-M5	4	M5	4	19	2	
POC04-M6		M6	4	19	2	
POC04-01		R1/8	7	19	3	
POC04-02		R1/4	9.5	19	3	
POC06-M5	6	M5	4	20.5	2	
POC06-M6		M6	4	20.5	2	
POC06-01		R1/8	7	20	4	
POC06-02		R1/4	9.5	21	4	
POC06-03	6	R3/8	10	21	4	
POC06-04		R1/2	13	24	4	
POC08-01		8	R1/8	7	24.5	5
POC08-02			R1/4	9.5	24.5	5
POC08-03	R3/8		10	22	6	
POC08-04	R1/2		13	25	6	
POC10-01	10	R1/8	7	29	5	
POC10-02		R1/4	9.5	31	6	
POC10-03		R3/8	10	28.5	8	
POC10-04		R1/2	13	26	8	
POC12-01	12	R1/8	7	30.5	5	
POC12-02		R1/4	9.5	32.5	6	
POC12-03		R3/8	10	29	8	
POC12-04		R1/2	13	27.5	8	
POC16-02	16	R1/4	9.5	33.5	6	
POC16-03		R3/8	10	34	8	
POC16-04		R1/2	13	35	10	

PL

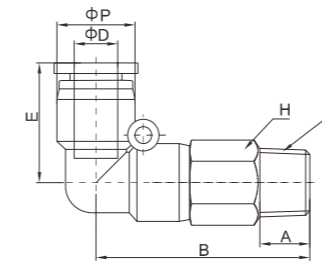
Male Elbow



Model	ΦD	E	B	ΦP	A	R	H
PL04-M5	4	18	22.2	11	4	M5	10
PL04-M6		18	22.2	11	4	M6	10
PL04-01		18	24.8	11	7	R1/8	10
PL04-02		18	28.8	11	9.5	R1/4	14
PL06-M5	6	19	22.5	13.4	4	M5	12
PL06-M6		19	22.5	13.4	4	M6	12
PL06-01		19	25.2	13.4	7	R1/8	12
PL06-02		19	28.2	13.4	9.5	R1/4	14
PL06-03	8	19	29.2	13.4	10	R3/8	17
PL06-04		19	33.7	13.4	13	R1/2	21
PL08-01		23	28.5	15	7	R1/8	14
PL08-02		23	32	15	9.5	R1/4	14
PL08-03	10	23	33	15	10	R3/8	17
PL08-04		23	36	15	13	R1/2	21
PL10-01		27.5	33.3	18.8	7	R1/8	17
PL10-02		27.5	36.3	18.8	9.5	R1/4	17
PL10-03	12	27.5	36.8	18.8	10	R3/8	17
PL10-04		27.5	40.5	18.8	13	R1/2	21
PL12-01		29.5	36.5	21	7	R1/8	19
PL12-02		29.5	38.5	21	9.5	R1/4	19
PL12-03	16	29.5	39	21	10	R3/8	19
PL12-04		29.5	44	21	13	R1/2	21
PL16-02		31.5	41	26	9.5	R1/4	24
PL16-03		31.5	42	26	10	R3/8	24
PL16-04	31.5	45	26	13	R1/2	24	

PLL

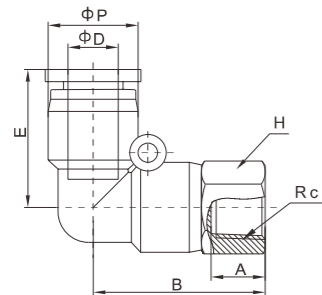
Male Long Elbow



Model	ΦD	E	B	ΦP	A	R	H
PLL04-M5	4	18	32	11	4	M5	10
PLL06-M6		18	32	11	4	M6	10
PLL04-01		18	34	11	7	R1/8	10
PLL04-02		18	37	11	9.5	R1/4	14
PLL06-M5	6	19	34.5	13.4	4	M5	12
PLL06-M6		19	34.5	13.4	4	M6	12
PLL06-01		19	37.5	13.4	7	R1/8	12
PLL06-02		19	40	13.4	9.5	R1/4	14
PLL06-03	8	19	41.5	13.4	10	R3/8	17
PLL06-04		19	45	13.4	13	R1/2	21
PLL08-01		23	42.5	15	7	R1/8	14
PLL08-02		23	44.5	15	9.5	R1/4	14
PLL08-03	10	23	46.5	15	10	R3/8	17
PLL08-04		23	50	15	13	R1/2	21
PLL10-01		27.5	52	18.8	7	R1/8	17
PLL10-02		27.5	54	18.8	9.5	R1/4	17
PLL10-03	12	27.5	55	18.8	10	R3/8	17
PLL10-04		27.5	58.5	18.8	13	R1/2	21
PLL12-01		29.5	59	21	7	R1/8	19
PLL12-02		29.5	59.5	21	9.5	R1/4	19
PLL12-03	16	29.5	60.5	21	10	R3/8	19
PLL12-04		29.5	64	21	13	R1/2	21
PLL16-02		31.5	72	26	9.5	R1/4	24
PLL16-03		31.5	74	26	10	R3/8	24
PLL16-04	31.5	78	26	13	R1/2	24	

PLF

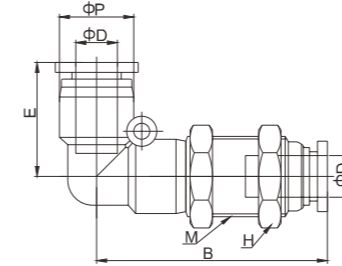
Female Elbow



Model	ΦD	E	B	ΦP	A	R	H	
PLF04-M5	4	18	21.2	11	4	M5	10	
PLF04-M6		18	21.2	11	4	M6	10	
PLF04-01		18	23.5	11	7	Rc1/8	14	
PLF04-02		18	26.5	11	9.5	Rc1/4	17	
PLF06-M5	6	19	21.8	13.4	4	M5	12	
PLF06-M6		19	21.8	13.4	4	M6	12	
PLF06-01		19	24.2	13.4	7	Rc1/8	12	
PLF06-02		19	27.2	13.4	9.5	Rc1/4	17	
PLF06-03	6	19	28.8	13.4	10	Rc3/8	21	
PLF06-04		19	30.8	13.4	13	Rc1/2	24	
PLF08-01		8	23	27.5	15	7	Rc1/8	14
PLF08-02			23	31	15	9.5	Rc1/4	17
PLF08-03	23		32	15	10	Rc3/8	21	
PLF08-04	23		34	15	13	Rc1/2	24	
PLF10-01	10	27.5	31.8	18.8	7	Rc1/8	17	
PLF10-02		27.5	35	18.8	9.5	Rc1/4	17	
PLF10-03		27.5	36	18.8	10	Rc3/8	21	
PLF10-04		27.5	38	18.8	13	Rc1/2	24	
PLF12-01	12	29.5	33.5	21	7	Rc1/8	21	
PLF12-02		29.5	37	21	9.5	Rc1/4	21	
PLF12-03		29.5	38	21	10	Rc3/8	21	
PLF12-04		29.5	40	21	13	Rc1/2	24	

PLM

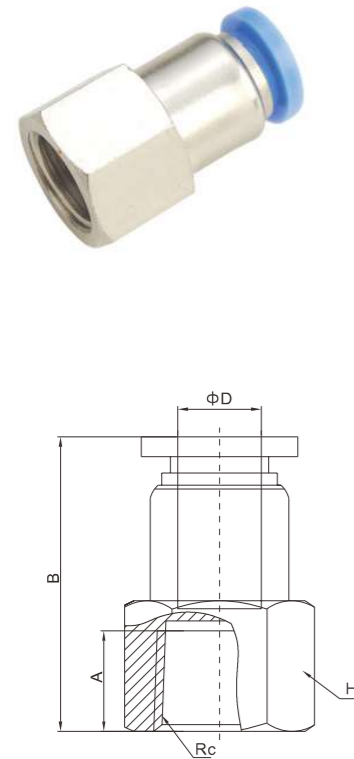
Bulkhead Elbow



Model	ΦD	E	B	ΦP	A	M	H
PLM04	4	18	43.6	11	7	M12	14
PLM06	6	19	46.5	13.4	9.5	M14	17
PLM08	8	23	53.5	15	4	M16	20
PLM10	10	27.5	63.8	18.8	7	M20	24
PLM12	12	29.5	69.2	21	9.5	M22	27
PLM16	16	31.5	76	26	10	M24	30

PCF

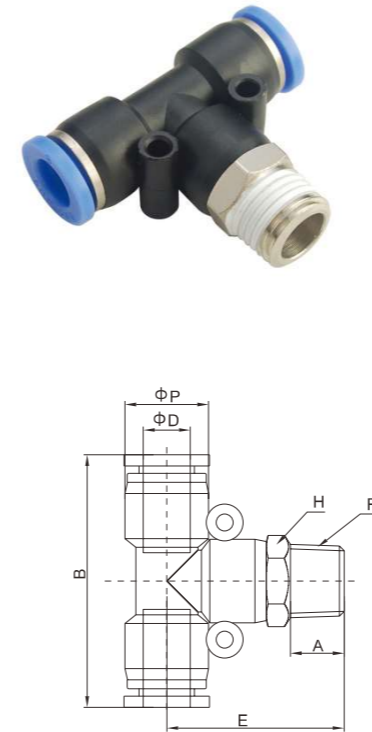
Female Straight



Model	ΦD	Rc	A	B	H
PCF04-01	4	Rc1/8	8	23	12
PCF04-02		Rc1/4	11	26	17
PCF06-01	6	Rc1/8	8	24.5	12
PCF06-02		Rc1/4	11	27.5	17
PCF06-03		Rc3/8	12	28.5	21
PCF06-04		Rc1/2	14	30.5	24
PCF08-01	8	Rc1/8	8	26.5	14
PCF08-02		Rc1/4	11	29.5	17
PCF08-03		Rc3/8	12	30.5	21
PCF08-04		Rc1/2	14	32.5	24
PCF10-01	10	Rc1/8	8	30.5	17
PCF10-02		Rc1/4	11	33.5	17
PCF10-03		Rc3/8	12	34.5	21
PCF10-04		Rc1/2	14	36.5	24
PCF12-02	12	Rc1/4	11	34	21
PCF12-03		Rc3/8	12	35	21
PCF12-04		Rc1/2	14	37	24

PB

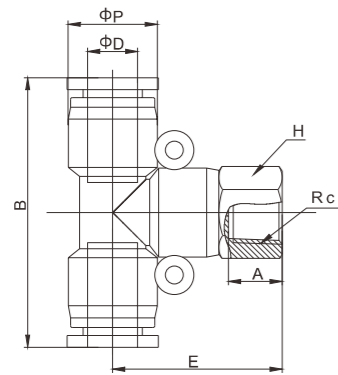
Branch Tee



Model	ΦD	E	B	ΦP	A	R	H
PB04-M5	4	22	36.5	11	4	M5	10
PB04-M6		22	36.5	11	4	M6	10
PB04-01		24.5	36.5	11	7	R1/8	10
PB04-02		27.5	36.5	11	9.5	R1/4	14
PB06-M5	6	23	38.5	13.4	4	M5	12
PB06-M6		23	38.5	13.4	4	M6	12
PB06-01		25.5	38.5	13.4	7	R1/8	12
PB06-02		28.5	38.5	13.4	9.5	R1/4	14
PB06-03		29.5	38.5	13.4	10	R3/8	17
PB06-04		34	38.5	13.4	13	R1/2	21
PB08-01	8	28.5	45.5	15	7	R1/8	14
PB08-02		32	45.5	15	9.5	R1/4	14
PB08-03		33	45.5	15	10	R3/8	17
PB08-04		36	45.5	15	13	R1/2	21
PB10-01	10	34	56	18.8	7	R1/8	17
PB10-02		37	56	18.8	9.5	R1/4	17
PB10-03		37.5	56	18.8	10	R3/8	17
PB10-04		41.5	56	18.8	13	R1/2	21
PB12-01	12	36.5	59	21	7	R1/8	21
PB12-02		38.5	59	21	9.5	R1/4	21
PB12-03		39	59	21	10	R3/8	21
PB12-04		42	59	21	13	R1/2	21
PB16-02	16	40.5	63	26	9.5	R1/4	24
PB16-03		41	63	26	10	R3/8	24
PB16-04		44	63	26	13	R1/2	24

PBF

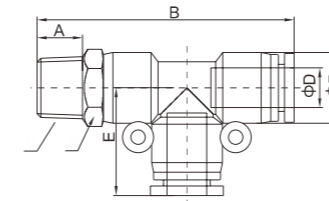
Female Tee



Model	ΦD	E	B	ΦP	A	R	H
PBF04-M5	4	21.2	36.5	11	4.5	M5	10
PBF04-M6		21.2	36.5	11	4.5	M6	10
PBF04-01		23.5	36.5	11	7	R1/8	10
PBF04-02		26.5	36.5	11	10	R1/4	14
PBF06-M5	6	21.8	38.5	13.4	4.5	M5	12
PBF06-M6		21.8	38.5	13.4	4.5	M6	12
PBF06-01		24.2	38.5	13.4	7	R1/8	12
PBF06-02		27.2	38.5	13.4	10	R1/4	14
PBF06-03		28.8	38.5	13.4	11	R3/8	17
PBF06-04		30.8	38.5	13.4	13	R1/2	21
PBF08-01	8	27.5	45.5	15	7	R1/8	14
PBF08-02		31	45.5	15	10	R1/4	14
PBF08-03		32	45.5	15	11	R3/8	17
PBF08-04		34	45.5	15	13	R1/2	21
PBF10-01	10	31.8	56	18.8	7	R1/8	17
PBF10-02		35	56	18.8	10	R1/4	17
PBF10-03		36	56	18.8	11	R3/8	17
PBF10-04		38	56	18.8	13	R1/2	21
PBF12-01	12	33.5	59	21	7	R1/8	21
PBF12-02		37	59	21	10	R1/4	21
PBF12-03		38	59	21	11	R3/8	21
PBF12-04		40	59	21	13	R1/2	21
PBF16-02	16	40.5	63	26	10	R1/4	24
PBF16-03		41	63	26	11	R3/8	24
PBF16-04		44	63	26	13	R1/2	24

PD

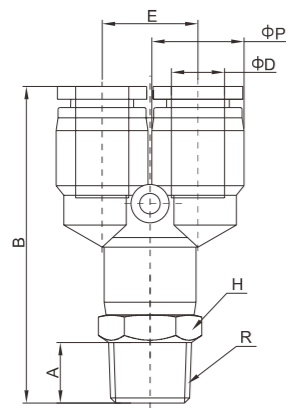
Run Tee



Model	ΦD	E	B	ΦP	A	R	H
PD04-M5	4	18	40.5	11	4	M5	10
PD04-M6		18	40.5	11	4	M6	10
PD04-01		18	43	11	7	R1/8	10
PD04-02		18	46	11	9.5	R1/4	14
PD06-M5	6	19	42	13.4	4	M5	12
PD06-M6		19	42	13.4	4	M6	12
PD06-01		19	45	13.4	7	R1/8	12
PD06-02		19	47.5	13.4	9.5	R1/4	14
PD06-03		19	48.5	13.4	10	R3/8	17
PD06-04		19	53	13.4	13	R1/2	21
PD08-01	8	23	51.5	15	7	R1/8	14
PD08-02		23	55	15	9.5	R1/4	14
PD08-03		23	56	15	10	R3/8	17
PD08-04		23	59	15	13	R1/2	21
PD10-01	10	28	62	18.8	7	R1/8	17
PD10-02		28	65	18.8	9.5	R1/4	17
PD10-03		28	66.5	18.8	10	R3/8	17
PD10-04		28	69.5	18.8	13	R1/2	21
PD12-01	12	29.5	66	21	7	R1/8	21
PD12-02		29.5	68	21	9.5	R1/4	21
PD12-03		29.5	68.5	21	10	R3/8	21
PD12-04		29.5	71.5	21	13	R1/2	21
PD16-02	16	31	72.5	26	9.5	R1/4	24
PD16-03		31	73	26	10	R3/8	24
PD16-04		31	76	26	13	R1/2	24

PX

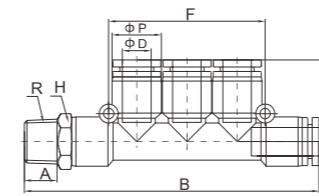
Run Y



Model	ΦD	E	B	ΦP	A	R	H	
PX04-M5	4	11	39.5	11	4	M5	10	
PX04-M6		11	39.5	11	4	M6	10	
PX04-01		11	42	11	7	R1/8	10	
PX04-02		11	45	11	9.5	R1/4	14	
PX06-M5	6	13.4	40.5	13.4	4	M5	12	
PX06-M6		13.4	40.5	13.4	4	M6	12	
PX06-01		13.4	43.5	13.4	7	R1/8	12	
PX06-02		13.4	46.5	13.4	9.5	R1/4	14	
PX06-03	6	13.4	47.5	13.4	10	R3/8	17	
PX06-04		13.4	51.5	13.4	13	R1/2	21	
PX08-01		8	15	46	15	7	R1/8	14
PX08-02			15	49.5	15	9.5	R1/4	14
PX08-03	15		51	15	10	R3/8	17	
PX08-04	15		54	15	13	R1/2	21	
PX10-01	10	18.8	60	18.8	7	R1/8	17	
PX10-02		18.8	63	18.8	9.5	R1/4	17	
PX10-03		18.8	64	18.8	10	R3/8	17	
PX10-04		18.8	66.5	18.8	13	R1/2	21	
PX12-01	12	21	65	21	7	R1/8	19	
PX12-02		21	70	21	9.5	R1/4	19	
PX12-03		21	70.5	21	10	R3/8	19	
PX12-04		21	73	21	13	R1/2	21	

PKB

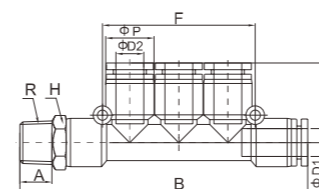
Branch Triple



Model	ΦD	B	E	A	R	F	ΦP	H
PKB04-01	4	63.1	19	7	R1/8	35.8	13.4	12
PKB04-02		66.5	19	9.5	R1/4	35.8	13.4	14
PKB06-01	6	70.5	20.2	7	R1/8	42.8	15	14
PKB06-02		74	20.2	9.5	R1/4	42.8	15	14
PKB06-03		75	20.2	10	R3/8	42.8	15	17
PKB08-01	8	86.5	23.8	7	R1/8	49.6	18.8	14
PKB08-02		89.5	23.8	9.5	R1/4	49.6	18.8	14
PKB08-03		90.5	23.8	10	R3/8	49.6	18.8	17
PKB10-02	10	104	29	9.5	R1/4	59.6	21	17
PKB10-03		105.5	29	10	R3/8	59.6	21	17
PKB10-04		110	29	13	R1/2	59.6	21	21

PKD

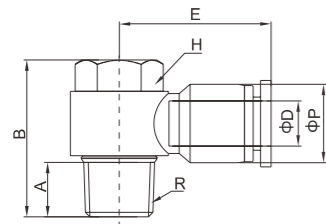
Reduced Branch Triple



型号 Model	ΦD1	ΦD2	B	E	A	R	F	ΦP	H
PKD06-04-01	6	4	63.1	19	7	R1/8	35.8	13.4	12
PKD06-04-02			66.5	19	9.5	R1/4	35.8	13.4	14
PKD08-06-01	8	6	70.5	20.2	7	R1/8	42.8	15	14
PKD08-06-02			74	20.2	9.5	R1/4	42.8	15	14
PKD08-06-03			75	20.2	10	R3/8	42.8	15	17
PKD10-08-01	10	8	86.5	23.8	7	R1/8	49.6	18.8	14
PKD10-08-02			89.5	23.8	9.5	R1/4	49.6	18.8	14
PKD10-08-03			90.5	23.8	10	R3/8	49.6	18.8	17
PKD12-10-02	12	10	104	29	9.5	R1/4	59.6	21	17
PKD12-10-03			105.5	29	10	R3/8	59.6	21	17
PKD12-10-04			110	29	13	R1/2	59.6	21	21

PH

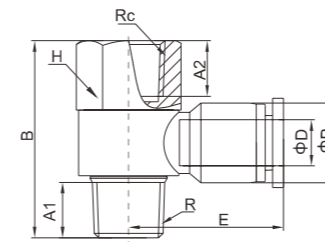
Single Banjo



Model	ΦD	E	B	ΦP	A	R	H
PH04-M5	4	20	17	11	4	M5	8
PH04-M6		20	17	11	4	M6	8
PH04-01		22.5	26	11	7	R1/8	12
PH04-02		24	23.5	11	9.5	R1/4	14
PH06-M5	6	20	17	11	4	M5	8
PH06-M6		22	17	13.4	4	M6	8
PH06-01		23	23.5	13.4	7	R1/8	12
PH06-02		25	26	13.4	9.5	R1/4	14
PH06-03	27	31.5	13.4	10	R3/8	19	
PH08-01	8	25.5	23.5	15	7	R1/8	12
PH08-02		28.5	26	15	9.5	R1/4	14
PH08-03		29.5	31.5	15	10	R3/8	19
PH08-04		32.5	38.5	15	13	R1/2	24
PH10-01	10	30	23.5	18.8	7	R1/8	12
PH10-02		32	26	18.8	9.5	R1/4	14
PH10-03		33	31.5	18.8	10	R3/8	19
PH10-04		36	38.5	18.8	13	R1/2	24
PH12-02	12	34	26	21	9.5	R1/4	14
PH12-03		35.5	31.5	21	10	R3/8	19
PH12-04		36.5	38.5	21	13	R1/2	24

PHF

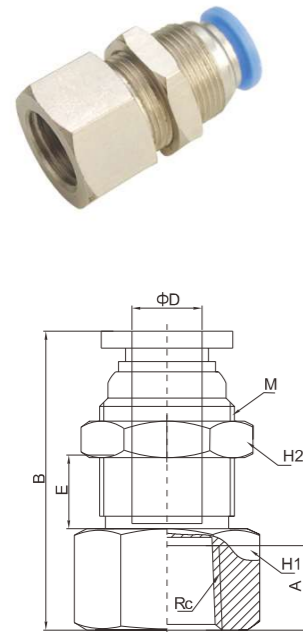
Connector Banjo



Model	ΦD	E	B	ΦP	A1	A2	Rc	R	H
PHF04-M5	4	20	19.5	11	4	5	M5	M5	8
PHF04-M6		20	19.5	11	4	5	M6	M6	8
PHF04-01		22.5	29.5	11	7	8	Rc1/8	R1/8	12
PHF04-02		24	34.5	11	9.5	10	Rc1/4	R1/4	17
PHF06-M5	6	22	19.5	13.4	4	5	M5	M5	8
PHF06-M6		22	19.5	13.4	4	5	M6	M6	8
PHF06-01		23	29.5	13.4	7	8	Rc1/8	R1/8	12
PHF06-02		25	34.5	13.4	9.5	10	Rc1/4	R1/4	17
PHF06-03	27	40.5	13.4	10	11	Rc3/8	R3/8	21	
PHF08-01	8	25.5	29.5	15	7	8	Rc1/8	R1/8	12
PHF08-02		28.5	34.5	15	9.5	10	Rc1/4	R1/4	17
PHF08-03		29.5	40.5	15	10	11	Rc3/8	R3/8	21
PHF08-04		32.5	47.5	15	13	14	Rc1/2	R1/2	24
PHF10-01	10	30	34.5	18.8	7	8	Rc1/8	R1/8	12
PHF10-02		32	34.5	18.8	9.5	10	Rc1/4	R1/4	17
PHF10-03		33	40.5	18.8	10	11	Rc3/8	R3/8	21
PHF10-04		36	47.5	18.8	13	14	Rc1/2	R1/2	24
PHF12-02	12	34	34.5	21	9.5	10	Rc1/4	R1/4	17
PHF12-03		35.5	40.5	21	10	11	Rc3/8	R3/8	21
PHF12-04		36.5	47.5	21	13	14	Rc1/2	R1/2	24

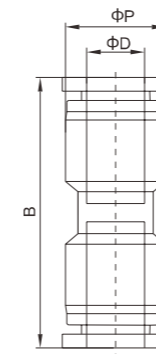
PMF

Bulkhead Female Straight



Model	ΦD	Rc	A	B	M	E	H1	H2
PMF04-01	4	Rc1/8	8	23	M12	5	14	14
PMF04-02		Rc1/4	11	26	M12	5	17	14
PMF06-01	6	Rc1/8	8	24.5	M12	7	17	17
PMF06-02		Rc1/4	11	27.5	M14	7	17	17
PMF06-03		Rc3/8	12	28.5	M14	7	19	17
PMF08-01	8	Rc1/8	8	26.5	M16	8	19	19
PMF08-02		Rc1/4	11	29.5	M16	8	19	19
PMF08-03		Rc3/8	12	30.5	M16	8	19	19
PMF08-04		Rc1/2	14	32.5	M16	8	24	19
PMF10-01	10	Rc1/8	8	30.5	M20	8.5	22	24
PMF10-02		Rc1/4	11	33.5	M20	8.5	24	24
PMF10-03		Rc3/8	12	34.5	M20	8.5	24	24
PMF10-04		Rc1/2	14	36.5	M20	8.5	24	24
PMF12-01	12	Rc1/8	8	34	M22	9	24	26
PMF12-02		Rc1/4	11	34	M22	9	24	26
PMF12-03		Rc3/8	12	35	M22	9	24	26
PMF12-04		Rc1/2	14	37	M22	9	24	26

PU

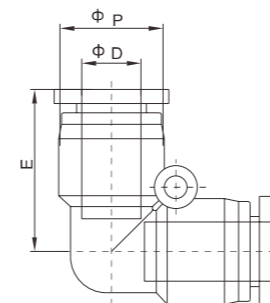


Union Straight

直通

Model	ΦD	B	ΦP
PU04	4	32.5	11
PU06	6	35	13.4
PU08	8	39	15
PU10	10	47	18.8
PU12	12	48.5	21
PU16	16	56	26

PV



Union Elbow

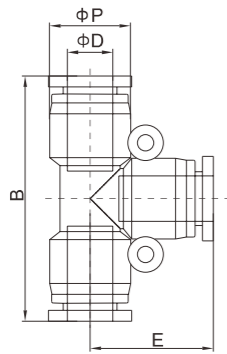
Model	ΦD	E	ΦP
PV04	4	18	11
PV06	6	19	13.4
PV08	8	23	15
PV10	10	27.5	18.8
PV12	12	29.5	21
PV16	16	31.5	26

PE

Union Tee



Model	ΦD	B	ΦP	E
PE04	4	36.5	11	18
PE06	6	38.5	13.4	19
PE08	8	45.5	15	23
PE10	10	56	18.8	28
PE12	12	58.5	21	39.5
PE16	16	63	26	31

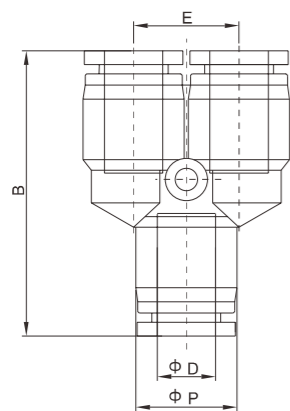


PY

Union Y



Model	ΦD	B	ΦP	E
PY04	4	35.5	11	11
PY06	6	37	13.4	13.4
PY08	8	40.5	15	15
PY10	10	49.5	18.8	18.8
PY12	12	52.5	21	21

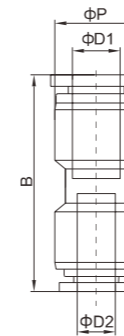


PG

Unequal Union Straight



Model	ΦD1	ΦD2	B	ΦP
PG06-04	6	4	35	13.4
PG08-06	8	6	38.5	15
PG10-08	10	8	46.5	18.8
PG12-10	12	10	48	21

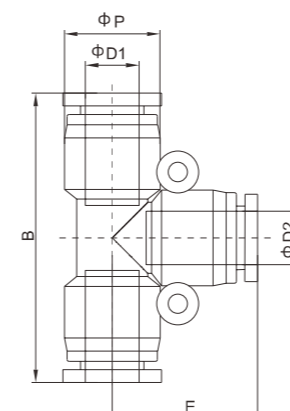


PEG

Diff. Diam Union Tee



Model	ΦD1	ΦD2	B	ΦP	E
PEG06-04	6	4	38.5	13.4	19
PEG08-06	8	6	45.5	15	23
PEG10-08	10	8	56	18.8	28
PEG12-10	12	10	58.5	21	39.5

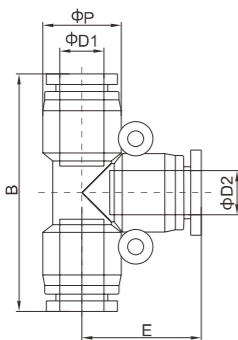


PGE



Diff. Diam Union Tee

Model	ΦD1	ΦD2	B	ΦP	E
PGE06-04	4	6	38	13.4	19
PGE08-06	6	8	45	15	23
PGE10-08	8	10	55.5	18.8	28
PGE12-10	10	12	58	21	39.5

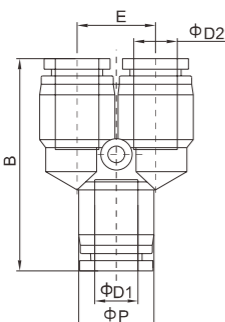


PW



Diff. Diam Union Y

Model	ΦD1	ΦD2	B	ΦP	E
PW06-04	6	4	37	13.4	13.4
PW08-06	8	6	40.5	15	15
PW10-08	10	8	49.5	18.8	18.8
PW12-10	12	10	52.5	21	21

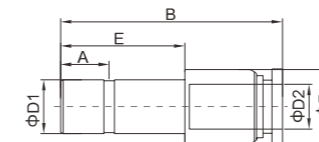


PJ



Reducer

Model	ΦD2	E	ΦD1	B	A	ΦP
PJ06-04	4	17	6	41	6	10
PJ08-04	4	20	8	44	6	10
PJ08-06	6	20	8	45	6	12
PJ10-06	6	23	10	47	8	12
PJ10-08	8	23	10	47	8	14
PJ12-08	8	23	12	54	8	14
PJ12-10	10	23	12	54	8	17

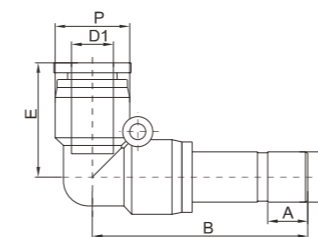


PLJ



Unequal Plug-in Elbow

Model	ΦD1	E	B	ΦP	A	ΦD2
PLJ06-04	4	18	32.3	11	6	6
PLJ08-04	4	18	35.3	11	6	8
PLJ08-06	6	19	37	13.4	6	8
PLJ10-06	6	19	40	13.4	6	10
PLJ10-08	8	23	43	15	8	10
PLJ12-08	8	23	43	15	8	12
PLJ12-10	10	27.5	47	18.8	8	12

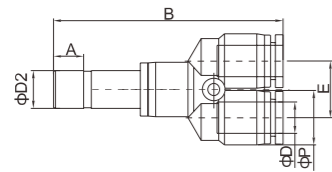


PWJ



Unequal Plug-in Y

Model	ΦD1	E	B	ΦP	A	ΦD2
PWJ06-04	4	11	50	11	6	6
PWJ08-04	4	11	53	11	6	8
PWJ08-06	6	13.4	54.5	13.4	6	8
PWJ10-06	6	13.4	57.5	13.4	6	10
PWJ10-08	8	15	61	15	8	10
PWJ12-08	8	15	61	15	8	12
PWJ12-10	10	18.8	69.5	18.8	8	12

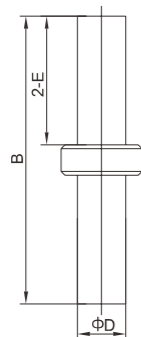


PI



Union Stem

Model	ΦD	E	B
PI04	4	16	35
PI06	6	17	37
PI08	8	18.5	40
PI10	10	21	46
PI12	12	22.5	50
PI16	16	24.8	54

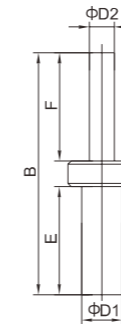


PI



Unequal Union Stem

Model	B	ΦD1	ΦD2	E	F
PI06-04	36	6	4	17	16
PI08-04	39.5	8	4	18.5	18
PI08-06	38.5	8	6	18.5	17
PI10-06	44	10	6	22	19
PI10-08	42.5	10	8	21	18.5
PI12-08	47	12	8	24	20
PI12-10	46.5	12	10	22	21

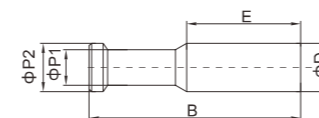


PP



Plug

Model	ΦD	E	ΦD2	B	ΦP
PP04	4	15	5	28	3
PP06	6	17	7	33	3
PP08	8	18	9	37	4
PP10	10	21	11	42	5
PP12	12	23	13	44	6

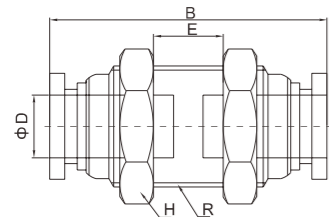


PM

Bulkhead Union



Model	ΦD	B	E	R	H
PM04	4	30	8	M12X1	14
PM06	6	33	10	M14X1	17
PM08	8	36.8	12	M16X1	19
PM10	10	44.5	15	M20X1	24
PM12	12	46	16	M22X1	27

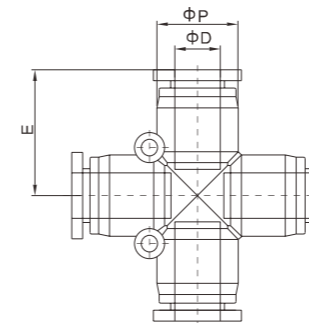


PZA

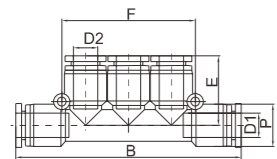
Union Cross



Model	ΦD	E	ΦP
PZA04	4	17.5	11
PZA06	6	19.2	13
PZA08	8	22.5	14.5
PZA10	10	28	20
PZA12	12	30	20



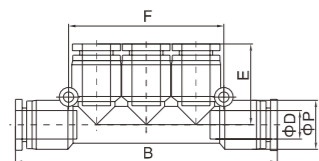
PKG



Unequal Triple

Model	ΦD1	B	E	ΦD2	F	ΦP
PKG06-04	6	57.5	19	4	35.8	13.4
PKG08-06	8	65	20.2	6	42.8	15
PKG10-08	10	81	23.8	8	49.6	18.8
PKG12-10	12	97	29	10	59.6	21

PK



Equal Triple

Model	ΦD	B	E	F	ΦP
PK04	4	57	19	35.8	13.4
PK06	6	64	20.2	42.8	15
PK08	8	80.6	23.8	49.6	18.8
PK10	10	96	29	59.6	21

Metric Size-G Thread Type



Specification

Fluid	Air, vacuum
Pressure Range	0~1.0MPa
Negative Pressure	-100KPa(10Torr)
Max Pressure	1.5MPa
Temperature Range	0~60°C
Applicable Tube	NYLON(PA)Polyurethane(PU)

① **Type**

② **Tube Outer Diameter**

Code	Metric Size					
	04	06	08	10	12	16
Tube Outer Diameter	Φ4	Φ6	Φ8	Φ10	Φ12	Φ16

Characteristics

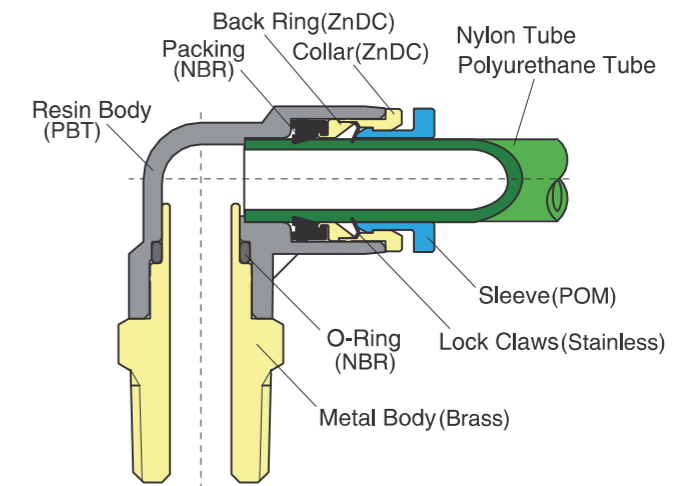
- 1.Quick installation, simple and flexible, space-saving.
2. The tube fitting comes in a wide variety of models to meet all your needs in pneumatic piping.
3. Even after installation, the direction of tubing can be changed freely.
4. The release ring adopts the ellipse design to make it more convenient and labor-saving for disconnection.
5. All threads are in O-ring with fine seal Performance.
6. All fittings are equipped with the internal hexagonal holes. It is easy for them to be mounted in the narrow places.

Product Code System

PC 08 - G01

① ② ③

Structure Chart

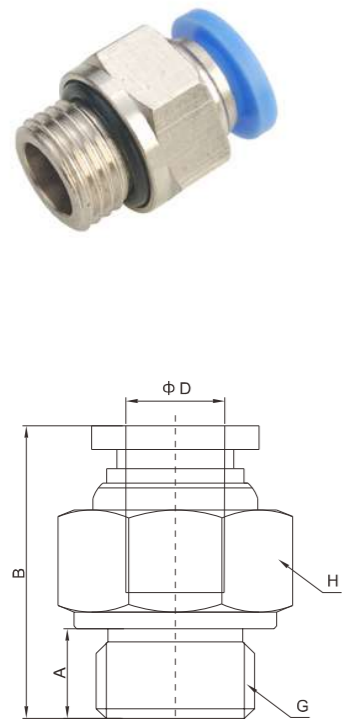


③ **Thread Type and Size**

Code	55° G-Thread			
	G01	G02	G03	G04
Thread	G1/8	G1/4	G3/8	G1/2

PC-G

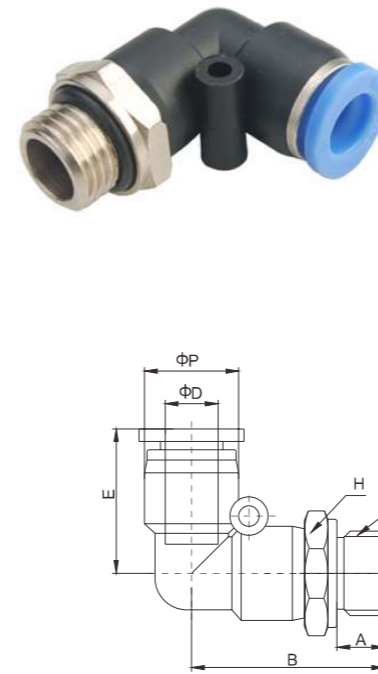
Male Straight



Model	ΦD	G	A	B	H
PC04-G01	4	G1/8	5.5	20	14
PC04-G02		G1/4	7.5	19	17
PC06-G01	6	G1/8	5.5	21.2	14
PC06-G02		G1/4	7.5	22.2	17
PC06-G03		G3/8	8.5	21	20
PC06-G04		G1/2	11	23.8	24
PC08-G01	8	G1/8	5.5	25.3	14
PC08-G02		G1/4	7.5	24.5	17
PC08-G03		G3/8	8.5	22.2	20
PC08-G04		G1/2	11	24.5	24
PC10-G01	10	G1/8	5.5	29	17
PC10-G02		G1/4	7.5	30.5	17
PC10-G03		G3/8	8.5	28	20
PC10-G04		G1/2	11	26	24
PC12-G01	12	G1/8	5.5	30	20
PC12-G02		G1/4	7.5	32	20
PC12-G03		G3/8	8.5	32.5	20
PC12-G04		G1/2	11	31	24
PC16-G02	16	G1/4	7.5	35.5	24
PC16-G03		G3/8	8.5	37.5	24
PC16-G04		G1/2	11	40	24

PL-G

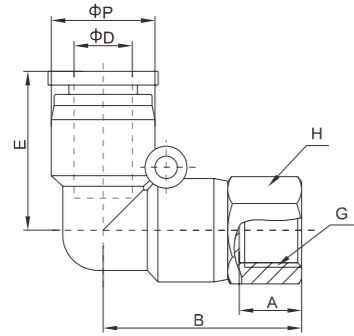
Male Elbow



Model	ΦD	E	B	ΦP	A	G	H
PL04-G01	4	18	23.8	11	5.5	G1/8	14
PL04-G02		18	27.8	11	7.5	G1/4	17
PL06-G01	6	19	24.2	13.4	5.5	G1/8	14
PL06-G02		19	27.2	13.4	7.5	G1/4	17
PL06-G03		19	28.2	13.4	8.5	G3/8	20
PL06-G04		19	32.7	13.4	11	G1/2	24
PL08-G01	8	23	27.5	15	5.5	G1/8	14
PL08-G02		23	31	15	7.5	G1/4	17
PL08-G03		23	32	15	8.5	G3/8	20
PL08-G04		23	35	15	11	G1/2	24
PL10-G01	10	27.5	32.3	18.8	5.5	G1/8	17
PL10-G02		27.5	35.3	18.8	7.5	G1/4	17
PL10-G03		27.5	35.8	18.8	8.5	G3/8	20
PL10-G04		27.5	39.5	18.8	11	G1/2	24
PL12-G01	12	29.5	35.5	21	5.5	G1/8	20
PL12-G02		29.5	37.5	21	7.5	G1/4	20
PL12-G03		29.5	38	21	8.5	G3/8	20
PL12-G04		29.5	43	21	11	G1/2	24
PL16-G02	16	31.5	40	26	7.5	G1/4	24
PL16-G03		31.5	41	26	8.5	G3/8	24
PL16-G04		31.5	44	26	11	G1/2	24

PLF-G

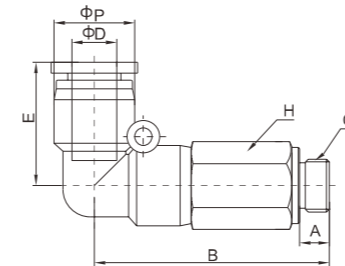
Female Elbow



Model	ΦD	E	B	ΦP	A	G	H
PLF04-G01	4	18	21	11	5.5	G1/8	14
PLF04-G02		18	25.5	11	7.5	G1/4	17
PLF06-G01	6	19	22.5	13.4	5.5	G1/8	12
PLF06-G02		19	25	13.4	7.5	G1/4	17
PLF06-G03		19	27.5	13.4	8.5	G3/8	21
PLF06-G04		19	39	13.4	11	G1/2	24
PLF08-G01	8	23	26.5	15	5.5	G1/8	14
PLF08-G02		23	29	15	7.5	G1/4	17
PLF08-G03		23	31	15	8.5	G3/8	21
PLF08-G04		23	32	15	11	G1/2	24
PLF10-G01	10	27.5	31	18.8	5.5	G1/8	17
PLF10-G02		27.5	34	18.8	7.5	G1/4	17
PLF10-G03		27.5	35	18.8	8.5	G3/8	21
PLF10-G04		27.5	36	18.8	11	G1/2	24
PLF12-G01	12	29.5	32.5	21	5.5	G1/8	21
PLF12-G02		29.5	36	21	7.5	G1/4	21
PLF12-G03		29.5	37	21	8.5	G3/8	21
PLF12-G04		29.5	38	21	11	G1/2	24

PLL-G

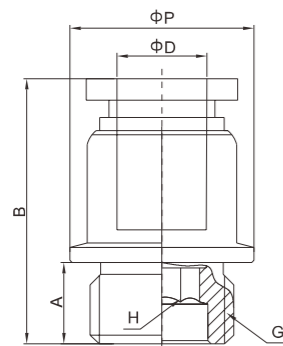
Male Long Elbow



Model	ΦD	E	B	ΦP	A	G	H
PLL04-G01	4	18	35	11	5.5	G1/8	14
PLL04-G02		18	38	11	7.5	G1/4	17
PLL06-G01	6	19	38	13.4	5.5	G1/8	14
PLL06-G02		19	41	13.4	7.5	G1/4	17
PLL06-G03		19	42	13.4	8.5	G3/8	20
PLL06-G04		19	45	13.4	11	G1/2	24
PLL08-G01	8	23	43	15	5.5	G1/8	14
PLL08-G02		23	45	15	7.5	G1/4	17
PLL08-G03		23	47	15	8.5	G3/8	20
PLL08-G04		23	50	15	11	G1/2	24
PLL10-G01	10	27.5	52	18.8	5.5	G1/8	17
PLL10-G02		27.5	54	18.8	7.5	G1/4	17
PLL10-G03		27.5	55	18.8	8.5	G3/8	20
PLL10-G04		27.5	58.5	18.8	11	G1/2	24
PLL12-G01	12	29.5	59	21	5.5	G1/8	20
PLL12-G02		29.5	59.5	21	7.5	G1/4	20
PLL12-G03		29.5	60.5	21	8.5	G3/8	20
PLL12-G04		29.5	64	21	11	G1/2	24
PLL16-G02	16	31.5	70	26	7.5	G1/4	24
PLL16-G03		31.5	73	26	8.5	G3/8	24
PLL16-G04		31.5	76	26	11	G1/2	24

POC-G

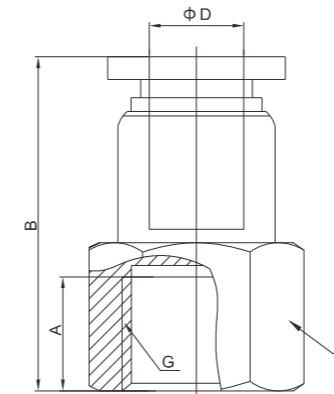
Male Straight



Model	ΦD	G	A	B	ΦP	H
POC04-G01		G1/8	5.5	20	14	3
POC04-G02		G1/4	7.5	19	17	3
POC06-G01	6	G1/8	5.5	21.2	14	4
POC06-G02		G1/4	7.5	22.2	17	4
POC06-G03		G3/8	8.5	21	20	4
POC06-G04		G1/2	11	23.8	24	4
POC08-G01	8	G1/8	5.5	25.3	14	5
POC08-G02		G1/4	7.5	24.5	17	5
POC08-G03		G3/8	8.5	22.2	20	6
POC08-G04		G1/2	11	24.5	24	6
POC10-G01	10	G1/8	5.5	29	17	5
POC10-G02		G1/4	7.5	30.5	17	6
POC10-G03		G3/8	8.5	28	20	8
POC10-G04		G1/2	11	26	24	8
POC12-G01	12	G1/8	5.5	30	20	5
POC12-G02		G1/4	7.5	32	20	6
POC12-G03		G3/8	8.5	32.5	20	8
POC12-G04		G1/2	11	31	24	8
POC16-G02	16	G1/4	7.5	35.5	24	6
POC16-G03		G3/8	8.5	37.5	24	8
POC16-G04		G1/2	11	40	24	10

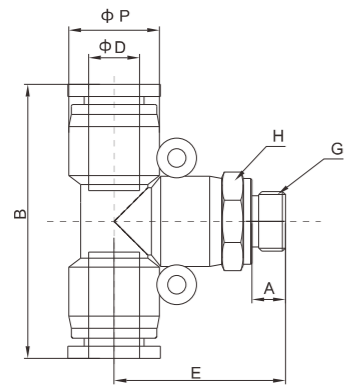
PCF-G

Female Straight



Model	ΦD	G	A	B	H
PCF04-G01	4	G1/8	7	22	14
PCF04-G02		G1/4	10	25	17
PCF06-G01	6	G1/8	7	23.5	14
PCF06-G02		G1/4	10	26.5	17
PCF06-G03		G3/8	11	27.5	21
PCF06-G04		G1/2	13	29.5	24
PCF08-G01	8	G1/8	7	25.5	14
PCF08-G02		G1/4	10	28.5	17
PCF08-G03		G3/8	11	29.5	21
PCF08-G04		G1/2	13	31.5	24
PCF10-G01	10	G1/8	7	29.5	17
PCF10-G02		G1/4	10	32.5	17
PCF10-G03		G3/8	11	33.5	21
PCF10-G04		G1/2	13	35.5	24
PCF12-G02	12	G1/4	10	33	21
PCF12-G03		G3/8	11	34	21
PCF12-G04		G1/2	13	36	24

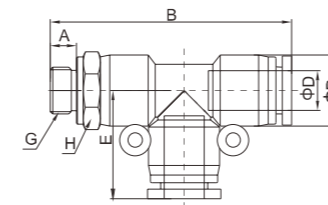
PB-G



Branch Tee

Model	ΦD	E	B	ΦP	A	G	H
PB04-G01	4	24	36.5	11	5.5	G1/8	14
PB04-G02		27	36.5	11	7.5	G1/4	17
PB06-G01	6	25	38.5	13.4	5.5	G1/8	14
PB06-G02		28	38.5	13.4	7.5	G1/4	17
PB06-G03		29	38.5	13.4	8.5	G3/8	20
PB06-G04		34	38.5	13.4	11	G1/2	24
PB08-G01	8	28	45.5	15	5.5	G1/8	14
PB08-G02		31	45.5	15	7.5	G1/4	17
PB08-G03		33	45.5	15	8.5	G3/8	20
PB08-G04		35	45.5	15	11	G1/2	24
PB10-G01	10	33	56	18.8	5.5	G1/8	17
PB10-G02		36	56	18.8	7.5	G1/4	17
PB10-G03		37	56	18.8	8.5	G3/8	20
PB10-G04		41	56	18.8	11	G1/2	24
PB12-G01	12	36	59	21	5.5	G1/8	21
PB12-G02		38	59	21	7.5	G1/4	21
PB12-G03		38	59	21	8.5	G3/8	21
PB12-G04		41	59	21	11	G1/2	24
PB16-G02	16	39.5	63	26	7.5	G1/4	24
PB16-G03		40	63	26	8.5	G3/8	24
PB16-G04		43	63	26	11	G1/2	24

PD-G



Run Tee

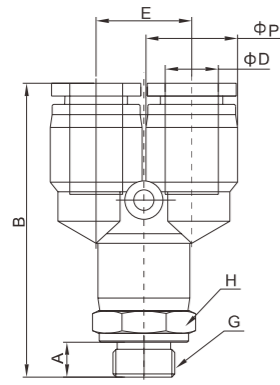
Model	ΦD	E	B	ΦP	A	G	H
PD04-G01	4	18	42	11	5.5	G1/8	14
PD04-G02		18	45	11	7.5	G1/4	17
PD06-G01	6	19	44	13.4	5.5	G1/8	14
PD06-G02		19	46	13.4	7.5	G1/4	17
PD06-G03		19	47	13.4	8.5	G3/8	20
PD06-G04		19	52	13.4	11	G1/2	24
PD08-G01	8	23	50	15	5.5	G1/8	14
PD08-G02		23	53	15	7.5	G1/4	17
PD08-G03		23	55	15	8.5	G3/8	20
PD08-G04		23	58	15	11	G1/2	24
PD10-G01	10	28	61	18.8	5.5	G1/8	17
PD10-G02		28	63	18.8	7.5	G1/4	17
PD10-G03		28	65	18.8	8.5	G3/8	20
PD10-G04		28	68	18.8	11	G1/2	24
PD12-G01	12	29.5	65	21	5.5	G1/8	21
PD12-G02		29.5	66.5	21	7.5	G1/4	21
PD12-G03		29.5	67.5	21	8.5	G3/8	21
PD12-G04		29.5	70	21	11	G1/2	24
PD16-G02	16	31	71	26	7.5	G1/4	24
PD16-G03		31	73	26	8.5	G3/8	24
PD16-G04		31	75	26	11	G1/2	24

PX-G



Run Y

Model	ΦD	E	B	ΦP	A	G	H
PX04-G01	4	11	41	11	5.5	G1/8	14
PX04-G02		11	43	11	7.5	G1/4	17
PX06-G01	6	13.4	43	13.4	5.5	G1/8	14
PX06-G02		13.4	46	13.4	7.5	G1/4	17
PX06-G03		13.4	47	13.4	8.5	G3/8	20
PX06-G04		13.4	51	13.4	11	G1/2	24
PX08-G01	8	15	46	15	5.5	G1/8	14
PX08-G02		15	49	15	7.5	G1/4	17
PX08-G03		15	51	15	8.5	G3/8	20
PX08-G04		15	54	15	11	G1/2	24
PX10-G01	10	18.8	60	18.8	5.5	G1/8	17
PX10-G02		18.8	63	18.8	7.5	G1/4	17
PX10-G03		18.8	64	18.8	8.5	G3/8	20
PX10-G04		18.8	65	18.8	11	G1/2	24
PX12-G01	12	21	65	21	5.5	G1/8	20
PX12-G02		21	68	21	7.5	G1/4	20
PX12-G03		21	70	21	8.5	G3/8	20
PX12-G04		21	72	21	11	G1/2	24

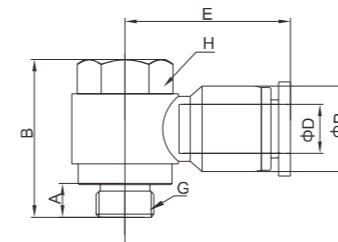


PH-G



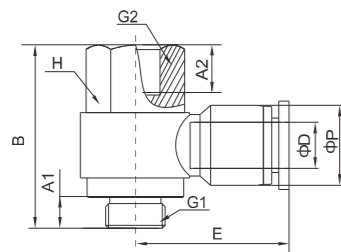
Single Banjo

Model	ΦD	E	B	ΦP	A	G	H
PH04-G01	4	22.5	26	11	5.5	G1/8	12
PH04-G02		24	23.5	11	7.5	G1/4	14
PH06-G01	6	23	23.5	13.4	5.5	G1/8	12
PH06-G02		25	26	13.4	7.5	G1/4	14
PH06-G03		27	31.5	13.4	8.5	G3/8	19
PH08-G01	8	25.5	23.5	15	5.5	G1/8	12
PH08-G02		28.5	26	15	7.5	G1/4	14
PH08-G03		29.5	31.5	15	8.5	G3/8	19
PH08-G04		32.5	38.5	15	11	G1/2	24
PH10-G01	10	30	23.5	18.8	5.5	G1/8	12
PH10-G02		32	26	18.8	7.5	G1/4	14
PH10-G03		33	31.5	18.8	8.5	G3/8	19
PH10-G04		36	38.5	18.8	11	G1/2	24
PH12-G02	12	34	26	21	7.5	G1/4	14
PH12-G03		35.5	31.5	21	8.5	G3/8	19
PH12-G04		36.5	38.5	21	11	G1/2	24



PHF-G

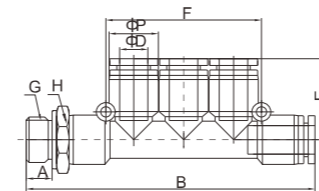
Connector Banjo



Model	ΦD	E	B	ΦP	A1	A2	G1	G2	H
PHF04-G01	4	22.5	29.5	11	5.5	7	G1/8	G1/8	12
PHF04-G02		24	34.5	11	7.5	10	G1/4	G1/4	17
PHF06-G01	6	23	29.5	13.4	5.5	7	G1/8	G1/8	12
PHF06-G02		25	34.5	13.4	7.5	10	G1/4	G1/4	17
PHF06-G03		27	40.5	13.4	8.5	11	G3/8	G3/8	21
PHF08-G01	8	25.5	29.5	15	5.5	7	G1/8	G1/8	12
PHF08-G02		28.5	34.5	15	7.5	10	G1/4	G1/4	17
PHF08-G03		29.5	40.5	15	8.5	11	G3/8	G3/8	21
PHF08-G04		32.5	47.5	15	11	13	G1/2	G1/2	24
PHF10-G01	10	30	34.5	18.8	5.5	7	G1/8	G1/8	12
PHF10-G02		32	34.5	18.8	7.5	10	G1/4	G1/4	17
PHF10-G03		33	40.5	18.8	8.5	11	G3/8	G3/8	21
PHF10-G04		36	47.5	18.8	11	13	G1/2	G1/2	24
PHF12-G02	12	34	34.5	21	7.5	10	G1/4	G1/4	17
PHF12-G03		35.5	40.5	21	8.5	11	G3/8	G3/8	21
PHF12-G04		36.5	47.5	21	11	13	G1/2	G1/2	24

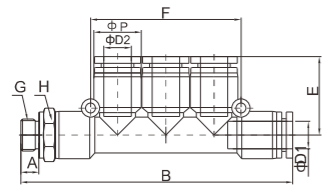
PKB-G

Branch Triple



Model	ΦD	B	E	A	G	F	ΦP	H
PKB04-G01	4	63	19	5.5	G1/8	35.8	13.4	14
PKB04-G02		66	19	7.5	G1/4	35.8	13.4	17
PKB06-G01	6	70	20.2	5.5	G1/8	42.8	15	14
PKB06-G02		73	20.2	7.5	G1/4	42.8	15	17
PKB06-G03		75	20.2	8.5	G3/8	42.8	15	20
PKB08-G01	8	86	23.8	5.5	G1/8	49.6	18.8	14
PKB08-G02		89	23.8	7.5	G1/4	49.6	18.8	17
PKB08-G03		90	23.8	8.5	G3/8	49.6	18.8	20
PKB10-G02	10	101	29	7.5	G1/4	59.6	21	17
PKB10-G03		103	29	8.5	G3/8	59.6	21	17
PKB10-G04		106	29	11	G1/2	59.6	21	24

PKD-G



Reduced Branch Triple

Model	ΦD1	ΦD2	B	E	A	G	F	ΦP	H
PKD06-04-G01	6	4	62	19	5.5	G1/8	35.8	13.4	14
PKD06-04-G02			65.5	19	7.5	G1/4	35.8	13.4	17
PKD08-06-G01	8	6	69	20.2	5.5	G1/8	42.8	15	14
PKD08-06-G02			72	20.2	7.5	G1/4	42.8	15	17
PKD08-06-G03			73	20.2	8.5	G3/8	42.8	15	20
PKD10-08-G01	10	8	85	23.8	5.5	G1/8	49.6	18.8	14
PKD10-08-G02			88	23.8	7.5	G1/4	49.6	18.8	17
PKD10-08-G03			90	23.8	8.5	G3/8	49.6	18.8	20
PKD12-10-G02	12	10	102	29	7.5	G1/4	59.6	21	17
PKD12-10-G03			103	29	8.5	G3/8	59.6	21	17
PKD12-10-G04			108	29	11	G1/2	59.6	21	24

Inch Size-NPT Thread Type



Specification

Fluid	Air, vacuum
Pressure Range	0~1.0MPa
Negative Pressure	-100KPa(10Torr)
Max Pressure	1.5MPa
Temperature Range	0~60°C
Applicable Tube	NYLON(PA)Polyurethane(PU)

① **Type**

② **Tube Outer Diameter**

	Inch Size					
Code	5/32	3/16	1/4	5/16	3/8	1/2
Tube Outer Diameter	Φ5/32	Φ3/16	Φ1/4	Φ5/16	Φ3/8	Φ1/2

Characteristics

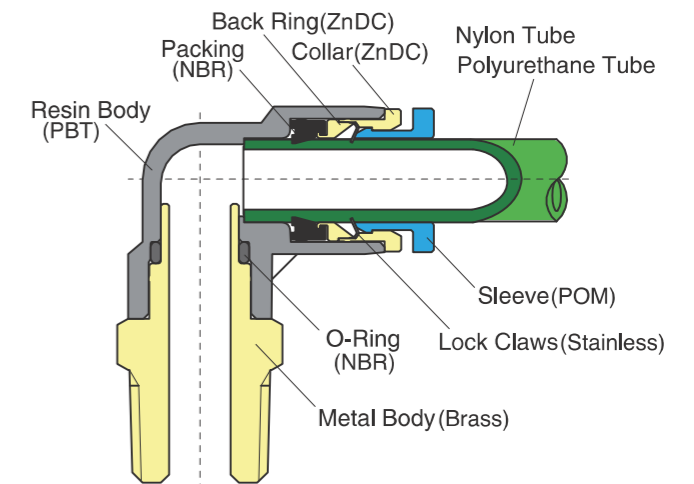
1. Quick installation, simple and flexible, space-saving.
2. The tube fitting comes in a wide variety of models to meet all your needs in pneumatic piping.
3. Even after installation, the direction of tubing can be changed freely.
4. The release ring adopts the ellipse design to make it more convenient and labor-saving for disconnection.
5. All taper threads are pre-coated with Teflon with fine seal performance.
6. All fittings are equipped with the internal hexagonal holes. It is easy for them to be mounted in the narrow places.

Product Code System

PC 1/4 - N01

- ① ② ③

Structure Chart

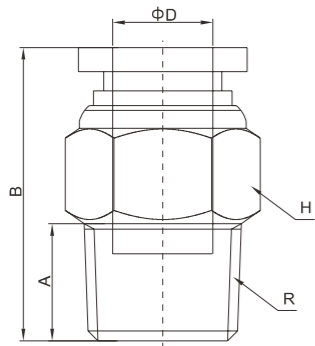


③ **Thread Type and Size**

	UNF	American Standard taper pipe thread(NPT)				
Code	U10	N01	N02	N02	N04	N06
Thread	10-32UNF	NPT1/8	NPT1/4	NPT3/8	NPT1/2	NPT3/4

PC

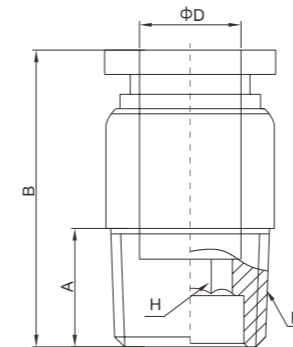
Male Straight



Model	ΦD	R	A	B	H
PC1/8-N01	1/8	NPT1/8	7.5	20	7/16
PC1/8-N02		NPT1/4	10.5	20	9/16
PC5/32-N01	5/32	NPT1/8	7.5	20	7/16
PC5/32-N02		NPT1/4	10.5	21.5	9/16
PC1/4-N01	1/4	NPT1/8	7.5	21	1/2
PC1/4-N02		NPT1/4	10.5	22	9/16
PC1/4-N03		NPT3/8	11	22	11/16
PC1/4-N04		NPT1/2	14	25	7/8
PC5/16-N01	5/16	NPT1/8	7.5	25.5	9/16
PC5/16-N02		NPT1/4	10.5	25.5	9/16
PC5/16-N03		NPT3/8	11	23	11/16
PC5/16-N04		NPT1/2	14	26	7/8
PC3/8-N01	3/8	NPT1/8	7.5	30	11/16
PC3/8-N02		NPT1/4	10.5	32	11/16
PC3/8-N03		NPT3/8	11	29.5	11/16
PC3/8-N04		NPT1/2	14	27	7/8
PC1/2-N01	1/2	NPT1/8	7.5	31.5	7/8
PC1/2-N02		NPT1/4	10.5	33.5	7/8
PC1/2-N03		NPT3/8	11	30	7/8
PC1/2-N04		NPT1/2	14	28.5	7/8

POC

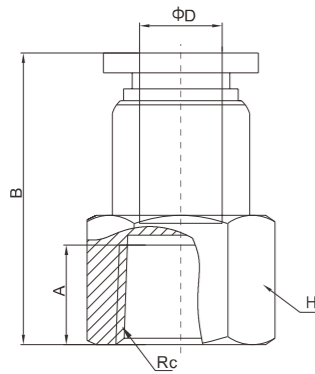
Hex. Holed Straight



Model	ΦD	R	A	B	H
POC1/8-N01	1/8	NPT1/8	7.5	20	3/32
POC1/8-N02		NPT1/4	10.5	20	3/32
POC5/32-N01	5/32	NPT1/8	7.5	20	3/32
POC5/32-N02		NPT1/4	10.5	21.5	3/32
POC1/4-N01	1/4	NPT1/8	7.5	21	5/32
POC1/4-N02		NPT1/4	10.5	22	5/32
POC1/4-N03		NPT3/8	11	22	5/32
POC5/16-N01	5/16	NPT1/8	7.5	25.5	3/16
POC5/16-N02		NPT1/4	10.5	25.5	7/32
POC5/16-N03		NPT3/8	11	23	7/32
POC3/8-N01	3/8	NPT1/8	7.5	30	7/32
POC3/8-N02		NPT1/4	10.5	32	7/32
POC3/8-N03		NPT3/8	11	29.5	5/16
POC3/8-N04		NPT1/2	14	27	5/16
POC1/2-N02	1/2	NPT1/4	10.5	33.5	1/4
POC1/2-N03		NPT3/8	11	30	5/16
POC1/2-N04		NPT1/2	14	28.5	5/16

PCF

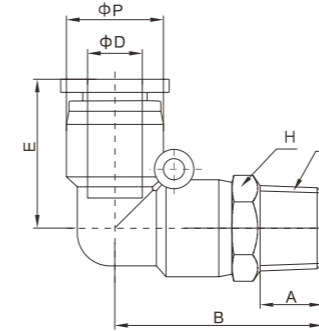
Female Straight



Model	ΦD	Rc	A	B	H
PCF1/8-N01	1/8	NPT1/8	8.5	25.5	9/16
PCF1/8-N02		NPT1/4	11.5	28.5	11/16
PCF5/32-N01	5/32	NPT1/8	8.5	25.5	9/16
PCF5/32-N02		NPT1/4	11.5	28.5	11/16
PCF1/4-N01	1/4	NPT1/8	8.5	27.5	9/16
PCF1/4-N02		NPT1/4	11.5	29.5	11/16
PCF1/4-N03		NPT3/8	12	31.5	7/8
PCF5/16-N01	5/16	NPT1/8	8.5	27.5	9/16
PCF5/16-N02		NPT1/4	11.5	31.5	11/16
PCF5/16-N03		NPT3/8	12	31.5	7/8
PCF5/16-N04		NPT1/2	15	33.5	7/8
PCF3/8-N01	3/8	NPT1/8	8.5	31.5	9/16
PCF3/8-N02		NPT1/4	11.5	34.5	11/16
PCF3/8-N03		NPT3/8	12	35.5	7/8
PCF3/8-N04		NPT1/2	15	37.5	7/8
PCF1/2-N02	1/2	NPT1/4	11.5	35	7/8
PCF1/2-N03		NPT3/8	12	36	7/8
PCF1/2-N04		NPT1/2	15	38	7/8

PL

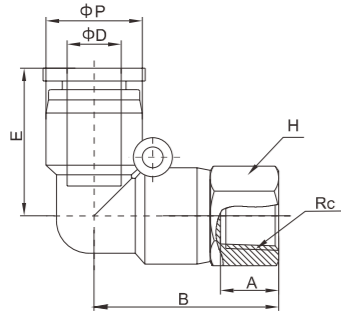
Male Elbow



Model	ΦD	E	B	ΦP	A	R	H
PL1/8-N01	1/8	18	23.2	11	7.5	NPT1/8	7/16
PL1/8-N02		18	25.8	11	10.5	NPT1/4	9/16
PL5/32-0N1	5/32	18	23.2	11	7.5	NPT1/8	7/16
PL5/32-N02		18	25.8	11	10.5	NPT1/4	9/16
PL1/4-N01	1/4	19	26.2	13.4	7.5	NPT1/8	1/2
PL1/4-N02		19	29.2	13.4	10.5	NPT1/4	9/16
PL1/4-N03		19	30.2	13.4	11	NPT3/8	11/16
PL1/4-N04		19	34.7	13.4	14	NPT1/2	7/8
PL5/16-N01	5/16	23	29.5	15	7.5	NPT1/8	9/16
PL5/16-N02		23	33	15	10.5	NPT1/4	9/16
PL5/16-N03		23	34	15	11	NPT3/8	11/16
PL5/16-N04		23	37	15	14	NPT1/2	7/8
PL3/8-N01	3/8	27.5	34.3	18.8	7.5	NPT1/8	11/16
PL3/8-N02		27.5	37.3	18.8	10.5	NPT1/4	11/16
PL3/8-N03		27.5	38.8	18.8	11	NPT3/8	11/16
PL3/8-N04		27.5	41.5	18.8	14	NPT1/2	7/8
PL1/2-N01	1/2	29.5	37.5	21	7.5	NPT1/8	7/8
PL1/2-N02		29.5	39.5	21	10.5	NPT1/4	7/8
PL1/2-N03		29.5	40	21	11	NPT3/8	7/8
PL1/2-N04		29.5	45	21	14	NPT1/2	7/8

PLF

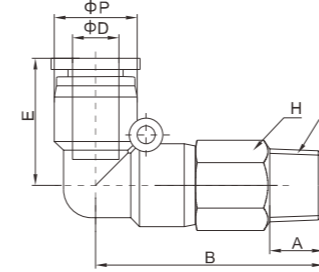
Female Elbow



Model	ΦD	E	B	ΦP	A	R	H
PLF1/8-N01	1/8	18	22.2	11	7.5	NPT1/8	9/16
PLF1/8-N02		18	25.5	11	10.5	NPT1/4	11/16
PLF5/32-N01	5/32	18	22.2	11	7.5	NPT1/8	9/16
PLF5/32-N02		18	25.5	11	10.5	NPT1/4	11/16
PLF1/4-N01	1/4	19	26.2	13.4	7.5	NPT1/8	9/16
PLF1/4-N02		19	28.2	13.4	10.5	NPT1/4	11/16
PLF1/4-N03		19	29.8	13.4	11	NPT3/8	7/8
PLF1/4-N04		19	31.8	13.4	14	NPT1/2	7/8
PLF5/16-N01	5/16	23	28.5	15	7.5	NPT1/8	9/16
PLF5/16-N02		23	32	15	10.5	NPT1/4	11/16
PLF5/16-N03		23	33	15	11	NPT3/8	7/8
PLF5/16-N04		23	35	15	14	NPT1/2	7/8
PLF3/8-N01	3/8	27.5	32.8	18.8	7.5	NPT1/8	11/16
PLF3/8-N02		27.5	36	18.8	10.5	NPT1/4	11/16
PLF3/8-N03		27.5	37	18.8	11	NPT3/8	7/8
PLF3/8-N04		27.5	39	18.8	14	NPT1/2	7/8
PLF1/2-N01	1/2	29.5	34.5	21	7.5	NPT1/8	7/8
PLF1/2-N02		29.5	38	21	10.5	NPT1/4	7/8
PLF1/2-N03		29.5	39	21	11	NPT3/8	7/8
PLF1/2-N04		29.5	41	21	14	NPT1/2	7/8

PLL

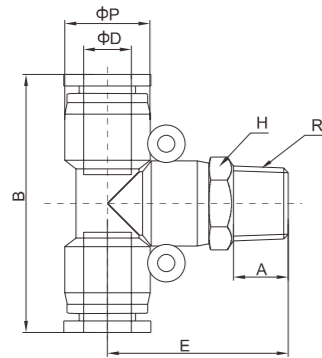
Male Long Elbow



Model	ΦD	E	B	ΦP	A	R	H
PLL1/8-N01	1/8	18	33	11	7.5	NPT1/8	7/16
PLL1/8-N02		18	35	11	10.5	NPT1/4	9/16
PLL5/32-N01	5/32	18	33	11	7.5	NPT1/8	7/16
PLL5/32-N02		18	35	11	10.5	NPT1/4	9/16
PLL1/4-N01	1/4	19	38.5	13.4	7.5	NPT1/8	1/2
PLL1/4-N02		19	41	13.4	10.5	NPT1/4	9/16
PLL1/4-N03		19	42.5	13.4	11	NPT3/8	11/16
PLL1/4-N04		19	46	13.4	14	NPT1/2	7/8
PLL5/16-N01	5/16	23	43.5	15	7.5	NPT1/8	9/16
PLL5/16-N02		23	45.5	15	10.5	NPT1/4	9/16
PLL5/16-N03		23	47.5	15	11	NPT3/8	11/16
PLL5/16-N04		23	51	15	14	NPT1/2	7/8
PLL3/8-N01	3/8	27.5	53	18.8	7.5	NPT1/8	11/16
PLL3/8-N02		27.5	55	18.8	10.5	NPT1/4	11/16
PLL3/8-N03		27.5	56	18.8	11	NPT3/8	11/16
PLL3/8-N04		27.5	59.5	18.8	14	NPT1/2	7/8
PLL1/2-N01	1/2	29.5	60	21	7.5	NPT1/8	7/8
PLL1/2-N02		29.5	60.5	21	10.5	NPT1/4	7/8
PLL1/2-N03		29.5	61.5	21	11	NPT3/8	7/8
PLL1/2-N04		29.5	65	21	14	NPT1/2	7/8

PB

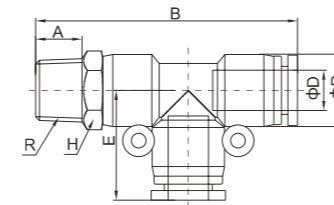
Branch Tee



Model	ΦD	E	B	ΦP	A	R	H
PB1/8-N01	1/8	25.5	36.5	11	7.5	NPT1/8	7/16
PB1/8-N02		28.5	36.5	11	10.5	NPT1/4	9/16
PB5/32-0N1	5/32	25.5	36.5	11	7.5	NPT1/8	7/16
PB5/32-N02		28.5	36.5	11	10.5	NPT1/4	9/16
PB1/4-N01	1/4	26.5	38.5	13.4	7.5	NPT1/8	1/2
PB1/4-N02		29.5	38.5	13.4	10.5	NPT1/4	9/16
PB1/4-N03		30.5	38.5	13.4	11	NPT3/8	11/16
PB1/4-N04		35	38.5	13.4	14	NPT1/2	7/8
PB5/16-N01	5/16	29	45.5	15	7.5	NPT1/8	9/16
PB5/16-N02		33	45.5	15	10.5	NPT1/4	9/16
PB5/16-N03		34	45.5	15	11	NPT3/8	11/16
PB5/16-N04		37	45.5	15	14	NPT1/2	7/8
PB3/8-N01	3/8	35	56	18.8	7.5	NPT1/8	11/16
PB3/8-N02		38	56	18.8	10.5	NPT1/4	11/16
PB3/8-N03		38.5	56	18.8	11	NPT3/8	11/16
PB3/8-N04		42.5	56	18.8	14	NPT1/2	7/8
PB1/2-N01	1/2	37.5.5	59	21	7.5	NPT1/8	7/8
PB1/2-N02		39.5	59	21	10.5	NPT1/4	7/8
PB1/2-N03		42	59	21	11	NPT3/8	7/8
PB1/2-N04		43	59	21	14	NPT1/2	7/8

PD

Run Tee



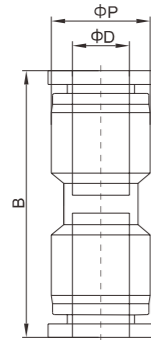
Model	ΦD	E	B	ΦP	A	R	H
PD1/8-N01	1/8	18	41.5	11	7.5	NPT1/8	7/16
PD1/8-N02		18	44	11	10.5	NPT1/4	9/16
PD5/32-0N1	5/32	18	41.5	11	7.5	NPT1/8	7/16
PD5/32-N02		18	44	11	10.5	NPT1/4	9/16
PD1/4-N01	1/4	19	46	13.4	7.5	NPT1/8	1/2
PD1/4-N02		19	48.5	13.4	10.5	NPT1/4	9/16
PD1/4-N03		19	49.5	13.4	11	NPT3/8	11/16
PD1/4-N04		19	54	13.4	14	NPT1/2	7/8
PD5/16-N01	5/16	23	52.5	15	7.5	NPT1/8	9/16
PD5/16-N02		23	56	15	10.5	NPT1/4	9/16
PD5/16-N03		23	57	15	11	NPT3/8	11/16
PD5/16-N04		23	60	15	14	NPT1/2	7/8
PD3/8-N01	3/8	28	63	18.8	7.5	NPT1/8	11/16
PD3/8-N02		28	66	18.8	10.5	NPT1/4	11/16
PD3/8-N03		28	67.5	18.8	11	NPT3/8	11/16
PD3/8-N04		28	70	18.8	14	NPT1/2	7/8
PD1/2-N01	1/2	29.5	67	21	7.5	NPT1/8	7/8
PD1/2-N02		29.5	69	21	10.5	NPT1/4	7/8
PD1/2-N03		29.5	69.5	21	11	NPT3/8	7/8
PD1/2-N04		29.5	72.5	21	14	NPT1/2	7/8

PU

Union Straight



Model	ΦD	B	ΦP
PU1/8	1/8	32	11
PU5/32	5/32	32.5	11
PU1/4	1/4	35	13.4
PU5/16	5/16	39	15
PU3/8	3/8	47	18.8
PU1/2	1/2	48.5	21

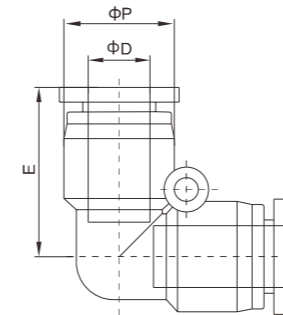


PV

Union Elbow



Model	ΦD	B	ΦP
PV1/8	1/8	17.5	11
PV5/32	5/32	18	11
PV1/4	1/4	19	13.4
PV5/16	5/16	23	15
PV3/8	3/8	27.5	18.8
PV1/2	1/2	29.5	21

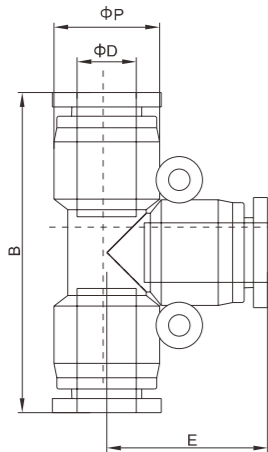


PE



Union Tee

Model	ΦD	B	ΦP	E
PE1/8	1/8	36	11	18
PE5/32	5/32	36.5	11	18
PE1/4	1/4	38.5	13.4	19
PE5/16	5/16	45.5	15	23
PE3/8	3/8	56	18.8	28
PE1/2	1/2	58.5	21	39.5



**Pneumatic Mini Type
Push In Fittings**



Specification

Fluid	Air, vacuum
Pressure Range	0~1.0MPa
Negative Pressure	-100KPa(10Torr)
Max Pressure	1.5MPa
Temperature Range	0~60°C
Applicable Tube	NYLON(PA)Polyurethane(PU)

① **Type**

② **Tube Outer Diameter**

	Metric Size		
Code	03	04	06
Tube Outer Diameter	Φ3	Φ4	Φ6

Characteristics

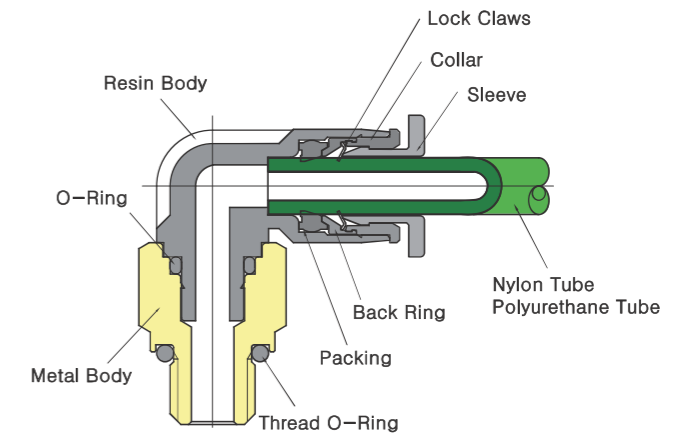
- 1.The smallest pneumatic fittings in the world. In fact,the volume is 40% less and the outside diameter is 20% less in comparison to those of the standard type.
2. Compact One-Touch Fittings are specially designed for pneumatic installations in equipment that are small and compact in size.

Product Code System

Structure Chart

PC-C 03 - M3C

① ② ③

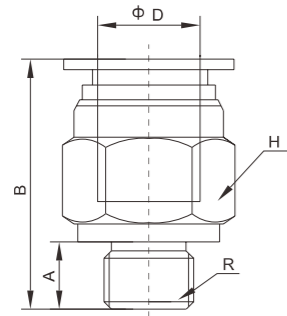


③ **Thread Type and Size**

	Metric Size			
Code	M3C	M5C	M6C	01C
Thread	M3x0.5	M5x0.8	M6x1.0	R1/8

PC-C

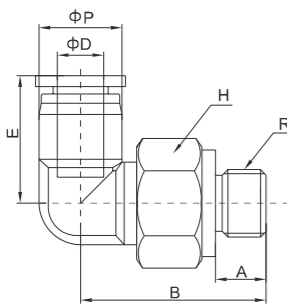
Male Straight



Model	ΦD	R	A	B	H
PC03-M3C	3	M3*0.5	3	15	5.5
PC03-M5C		M5*0.8	3.5	15.6	8
PC03-M6C		M6*1	3.9	15.9	8
PC04-M3C	4	M3*0.5	3	17	5.5
PC04-M5C		M5*0.8	3.5	17	8
PC04-M6C		M6*1	3.9	17.4	8
PC06-M5C	6	M5*0.8	3.5	17.6	8
PC06-M6C		M6*1	3.9	18	8
PC06-01C		R1/8	7	20	10

PL-C

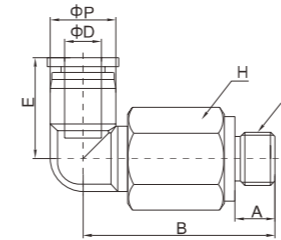
Male Elbow



Model	ΦD	R	A	ΦP	E	B	H
PL03-M3C	3	M3*0.5	3	6.2	11.1	15	5.5
PL03-M5C		M5*0.8	3.5	6.2	11.1	15.6	8
PL03-M6C		M6*1	3.9	6.2	11.1	15.9	8
PL04-M3C	4	M3*0.5	3	8.1	15.9	17	5.5
PL04-M5C		M5*0.8	3.5	8.1	15.9	17	8
PL04-M6C		M6*1	3.9	8.1	15.9	17.4	8
PL06-M5C	6	M5*0.8	3.5	10.7	16.4	17.6	8
PL06-M6C		M6*1	3.9	10.7	16.4	18	8
PL06-01C		R1/8	7	10.7	16.4	20	10

PLL-C

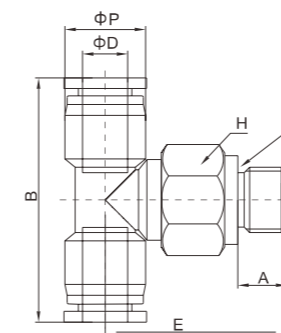
Male Long Elbow



Model	ΦD	R	A	ΦP	E	B	H
PLL03-M3C	3	M3*0.5	3	6.2	11.1	22.4	5.5
PLL03-M5C		M5*0.8	3.5	6.2	11.1	21.7	8
PLL03-M6C		M6*1	3.9	6.2	11.1	27.8	8
PLL04-M3C	4	M3*0.5	3	8.1	15.9	28.4	5.5
PLL04-M5C		M5*0.8	3.5	8.1	15.9	27.2	8
PLL04-M6C		M6*1	3.9	8.1	15.9	27.6	8
PLL06-M5C	6	M5*0.8	3.5	10.7	16.4	28.2	8
PLL06-M6C		M6*1	3.9	10.7	16.4	34.3	8
PLL06-01C		R1/8	7	10.7	16.4	38.8	10

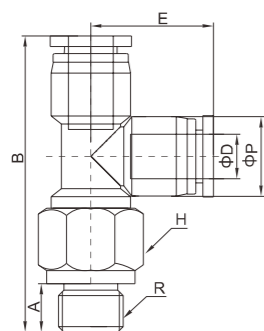
PB-C

Branch Tee



Model	ΦD	E	B	ΦP	A	R	H
PB03-M3C	3	12.4	22.8	6.2	3	M3*0.5	5.5
PB03-M5C		13.5	22.8	6.2	3.5	M5*0.8	8
PB03-M6C		15.5	22.8	6.2	3.9	M6*1	8
PB04-M3C	4	14.5	28.2	8.1	3	M3*0.5	5.5
PB04-M5C		15	28.2	8.1	3.5	M5*0.8	8
PB04-M6C		15.5	28.2	8.1	3.9	M6*1	8
PB06-M5C	6	15.5	32.2	10.7	3.5	M5*0.8	8
PB06-M6C		16.5	32.2	10.7	3.9	M6*1	8
PB06-01C		17.4	32.2	10.7	7	R1/8	10

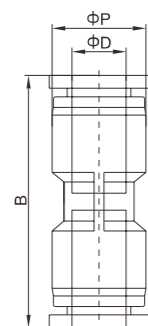
PD-C



Run Tee

Model	ΦD	E	B	ΦP	A	R	H
PD03-M3C	3	11.4	22.6	6.2	3	M3*0.5	5.5
PD03-M5C		11.4	24.7	6.2	3.5	M5*0.8	8
PD03-M6C		11.4	26.7	6.2	3.9	M6*1	8
PD04-M3C	4	14.1	28.1	8.1	3	M3*0.5	5.5
PD04-M5C		14.1	28.6	8.1	3.5	M5*0.8	8
PD04-M6C		14.1	29	8.1	3.9	M6*1	8
PD06-M5C	6	16.1	30.8	10.7	3.5	M5*0.8	8
PD06-M6C		16.1	31.5	10.7	3.9	M6*1	8
PD06-01C		16.1	32.4	10.7	7	R1/8	10

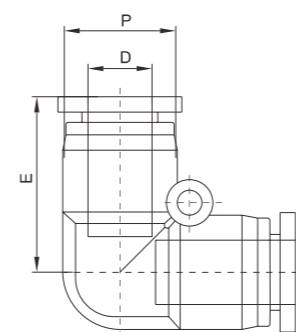
PU-C



Union Straight

Model	ΦD	B	ΦP
PU3C	3	19.8	6.2
PU4C	4	25	8.1
PU6C	6	25.6	10.7

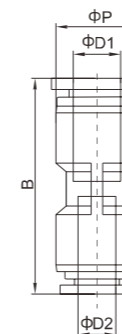
PV-C



Union Elbow

Model	ΦD	B	ΦP
PV3C	3	11.6	6.2
PV4C	4	15.5	8.1
PV6C	6	18.4	10.7

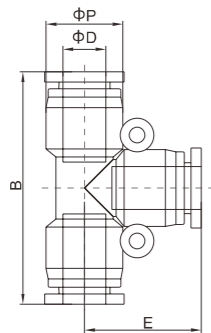
PG-C



Unequal Union Straight

Model	ΦD1	ΦD2	B	ΦP
PG04-3	4	3	24.5	8.1
PG06-4	6	4	25.5	10.7

PE-C



Union Tee

Model	ΦD	B	ΦP	E
PE3C	3	22.8	6.2	11.4
PE4C	4	28.2	8.1	14.1
PE6C	6	32.2	10.7	16.1

Throttle Valve



Specification

Fluid	Air, vacuum
Pressure Range	0~1.0MPa
Negative Pressure	-100KPa(10Torr)
Max Pressure	1.5MPa
Temerature Range	0~60°C
Applicable Tube	NYLON(PA)Polyurethane(PU)

① **Type**

② **Tube Outer Diameter**

	Metric Size					
Code	04	06	08	10	12	16
Tube Outer Diameter	Φ4	Φ6	Φ8	Φ10	Φ12	Φ16

③ **Thread Type and Size**

	55° Taper Pipe Thread				
Code	01	02	03	04	06
Thread	R1/8	R1/4	R3/8	R1/2	R3/4

	55° G-Thread			
Code	G01	G02	G03	G04
Thread	G1/8	G1/4	G3/8	G1/2

	Metric Size			
Code	M5	M6	M8	M10
Thread	M5x0.8	M6x1	M8x1	M10x1

Characteristics

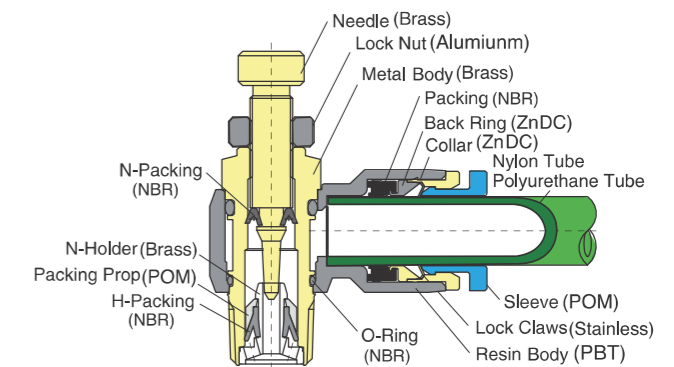
- 1.Speed Controllers precisely permit the optimal rate of airflow for the smooth cylinder movement of a driving device.
- 2.Unidirectional airflow is available for either exhaust or inlet flow control methods.

Product Code System

SC 08 - 01

① ② ③

Structure Chart



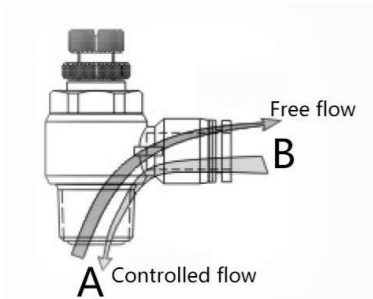
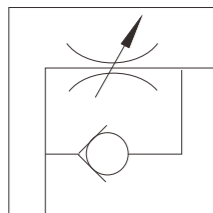
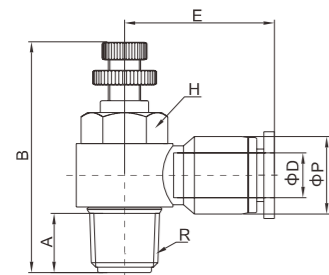
Inch Size					
5/32	3/16	1/4	5/16	3/8	1/2
Φ5/32	Φ3/16	Φ1/4	Φ5/16	Φ3/8	Φ1/2

	UNF	American Standand taper pipe thread(NPT)				
Code	U10	N01	N02	N02	N04	N06
Thread	10-32UNF	NPT1/8	NPT1/4	NPT3/8	NPT1/2	NPT3/4

Metric Size				
M12	M12A	M14	M16	M20
M12x1.25	M12Ax1.5	M14x1.5	M16x1.5	M20x1.5

SC

Control-in

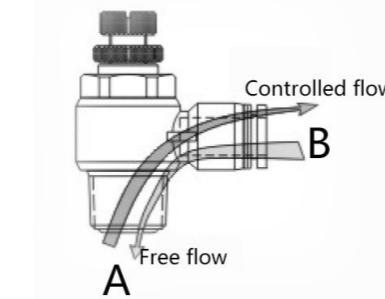
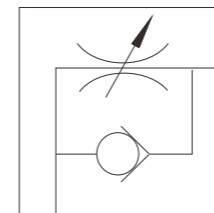
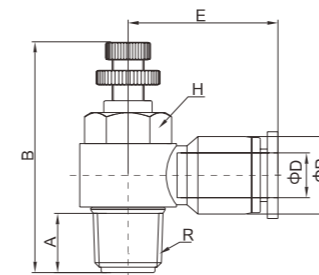


Limited-in:
Controlled air flow from B to A
Free air flow from A to B

Model	ΦD	E	B	ΦP	A	G	H
Limited-in							
SC04-M5B	4	20	28	11	3.8	M5	8
SC04-01B		22.3	37	11	7.5	R1/8	12
SC04-02B		24.1	44.5	11	11	R1/4	14
SC06-M5B	6	21.9	28	13.4	3.5	M5	8
SC06-01B		23.1	37	13.4	7.5	R1/8	12
SC06-02B		25	44.5	13.4	11	R1/4	14
SC06-03B		26.9	48	13.4	12	R3/8	19
SC06-04B	29.8	52.5	13	13	R1/2	24	
SC08-01B	8	25.6	37	15	7.5	R1/8	12
SC08-02B		28.5	44.5	15	11	R1/4	14
SC08-03B		29.6	48	15	12	R3/8	19
SC08-04B		32.5	52.5	15	13	R1/2	24
SC10-01B	10	30.1	37	18.8	7.5	R1/8	12
SC10-02B		32.3	44.5	18.8	11	R1/4	14
SC10-03B		32.9	48	18.8	12	R3/8	19
SC10-04B		35.8	52.5	18.8	13	R1/2	24
SC12-02B	12	33.5	44.5	21	11	R1/4	14
SC12-03B		35.6	48	21	12	R3/8	19
SC12-04B		36.5	52.5	21	13	R1/2	24

SC

Control-out

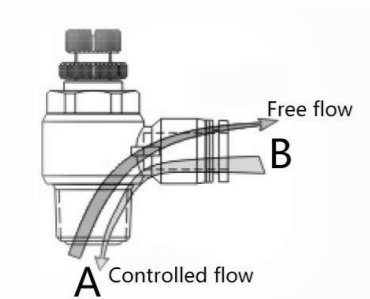
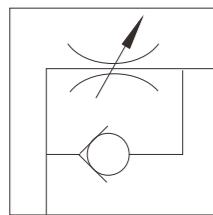
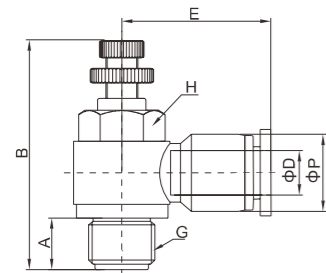


Limited-out:
Controlled air flow from A to B,
Free air flow from B to A

Model	ΦD	E	B	ΦP	A	G	H
Limited-out							
SC04-M5	4	20	28	11	3.8	M5	8
SC04-M6		20	28	11	3.8	M6	8
SC04-01		22.3	37	11	7.5	R1/8	12
SC04-02	24.1	44.5	11	11	R1/4	14	
SC06-M5	6	21.9	28	13.4	3.5	M5	8
SC06-M6		21.9	28	13.4	3.5	M6	8
SC06-01		23.1	37	13.4	7.5	R1/8	12
SC06-02		25	44.5	13.4	11	R1/4	14
SC06-03	26.9	48	13.4	12	R3/8	19	
SC06-04	29.8	52.5	13	13	R1/2	24	
SC08-01	8	25.6	37	15	7.5	R1/8	12
SC08-02		28.5	44.5	15	11	R1/4	14
SC08-03		29.6	48	15	12	R3/8	19
SC08-04		32.5	52.5	15	13	R1/2	24
SC10-01	10	30.1	37	18.8	7.5	R1/8	12
SC10-02		32.3	44.5	18.8	11	R1/4	14
SC10-03		32.9	48	18.8	12	R3/8	19
SC10-04		35.8	52.5	18.8	13	R1/2	24
SC12-02	12	33.5	44.5	21	11	R1/4	14
SC12-03		35.6	48	21	12	R3/8	19
SC12-04		36.5	52.5	21	13	R1/2	24

SC-G

Control-in

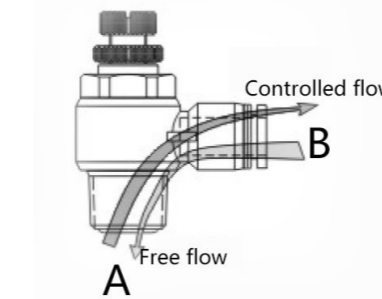
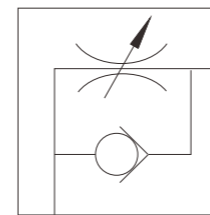
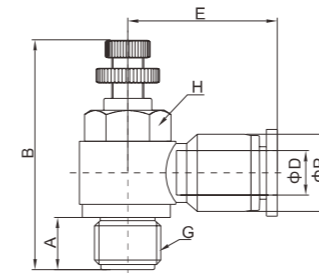


Model	ΦD	E	B	ΦP	A	G	H
Limited-in							
SC04-G01B	4	22.3	37	11	7.5	G1/8	12
SC04-G02B		24.1	44.5	11	11	G1/4	14
SC06-G01B	6	23.1	37	13.4	7.5	G1/8	12
SC06-G02B		25	44.5	13.4	11	G1/4	14
SC06-G03B		26.9	48	13.4	12	G3/8	19
SC06-G04B		29.8	52.5	13	13	G1/2	24
SC08-G01B	8	25.6	37	15	7.5	G1/8	12
SC08-G02B		28.5	44.5	15	11	G1/4	14
SC08-G03B		29.6	48	15	12	G3/8	19
SC08-G04B		32.5	52.5	15	13	G1/2	24
SC10-G01B	10	30.1	37	18.8	7.5	G1/8	12
SC10-G02B		32.3	44.5	18.8	11	G1/4	14
SC10-G03B		32.9	48	18.8	12	G3/8	19
SC10-G04B		35.8	52.5	18.8	13	G1/2	24
SC12-G02B	12	33.5	44.5	21	11	G1/4	14
SC12-G03B		35.6	48	21	12	G3/8	19
SC12-G04B		36.5	52.5	21	13	G1/2	24

Limited-in:
Controlled air flow from B to A
Free air flow from A to B

SC-G

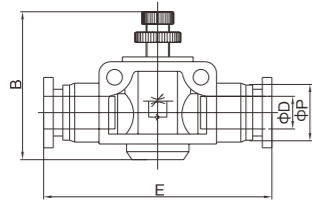
Control-out



Model	ΦD	E	B	ΦP	A	G	H
Limited-out							
SC04-G01	4	22.3	37	11	7.5	G1/8	12
SC04-G02		24.1	44.5	11	11	G1/4	14
SC06-G01	6	23.1	37	13.4	7.5	G1/8	12
SC06-G02		25	44.5	13.4	11	G1/4	14
SC06-G03		26.9	48	13.4	12	G3/8	19
SC06-G04		29.8	52.5	13	13	G1/2	24
SC08-G01	8	25.6	37	15	7.5	G1/8	12
SC08-G02		28.5	44.5	15	11	G1/4	14
SC08-G03		29.6	48	15	12	G3/8	19
SC08-G04		32.5	52.5	15	13	G1/2	24
SC10-G01	10	30.1	37	18.8	7.5	G1/8	12
SC10-G02		32.3	44.5	18.8	11	G1/4	14
SC10-G03		32.9	48	18.8	12	G3/8	19
SC10-G04		35.8	52.5	18.8	13	G1/2	24
SC12-G02	12	33.5	44.5	21	11	G1/4	14
SC12-G03		35.6	48	21	12	G3/8	19
SC12-G04		36.5	52.5	21	13	G1/2	24

Limited-out:
Controlled air flow from A to B,
Free air flow from B to A

SU



Model	ΦD	E	B	ΦP
SU04	4	39.5	25.7	11
SU06	6	47.6	41.8	13.4
SU08	8	52.5	45.6	14.8
SU10	10	63.2	52.2	18.8
SU12	12	74.1	55	21

Hand Valves



Specification

Fluid	Air, vacuum
Pressure Range	0~1.0MPa
Negative Pressure	-100KPa(10Torr)
Max Pressure	1.5MPa
Temperature Range	0~60°C
Applicable Tube	NYLON(PA)Polyurethane(PU)

① **Type**

② **Tube Outer Diameter**

	Metric Size					
Code	04	06	08	10	12	16
Tube Outer Diameter	Φ4	Φ6	Φ8	Φ10	Φ12	Φ16

③ **Thread Type and Size**

	55° Taper Pipe Thread				
Code	01	02	03	04	06
Thread	R1/8	R1/4	R3/8	R1/2	R3/4

	55° G-Thread			
Code	G01	G02	G03	G04
Thread	G1/8	G1/4	G3/8	G1/2

	Metric Size			
Code	M5	M6	M8	M10
Thread	M5x0.8	M6x1	M8x1	M10x1

Characteristics

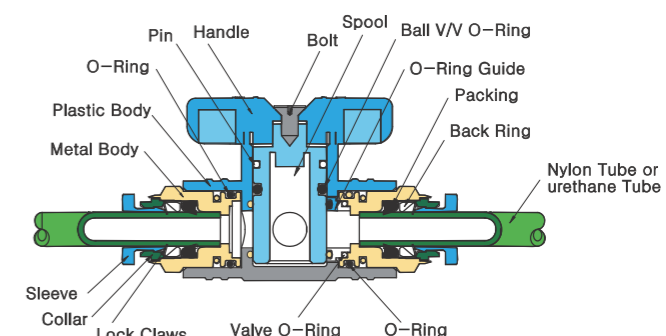
1.To control the air flow switch.

Product Code System

HVFS 06 - 01

① ② ③

Structure Chart

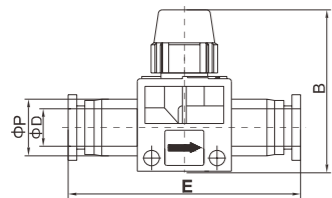


Inch Size					
5/32	3/16	1/4	5/16	3/8	1/2
Φ5/32	Φ3/16	Φ1/4	Φ5/16	Φ3/8	Φ1/2

	UNF	American Standard taper pipe thread(NPT)				
Code	U10	N01	N02	N02	N04	N06
Thread	10-32UNF	NPT1/8	NPT1/4	NPT3/8	NPT1/2	NPT3/4

Metric Size				
M12	M12A	M14	M16	M20
M12x1.25	M12Ax1.5	M14x1.5	M16x1.5	M20x1.5

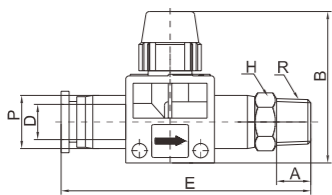
HVFF



Hand Valves

Model		ΦD	E	B	ΦP
Two Ways	Three Ways				
HVFF06-06B	HVFF06-06	6	51.6	41.5	14.8
HVFF08-06B	HVFF08-06	8	52.1	41.5	14.8
HVFF08-08B	HVFF08-08	8	52.6	41.5	14.8
HVFF10-10B	HVFF10-10	10	64.2	46	21
HVFF12-10B	HVFF12-10	12	64.4	46	21
HVFF12-12B	HVFF12-12	12	64.7	46	21

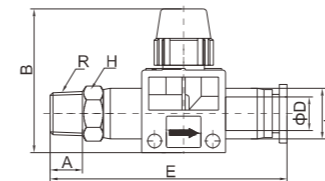
HVFS



Hand Valves

Model		ΦD	E	B	ΦP	A	R	H
Two Ways	Three Ways							
HVFS06-01B	HVFS06-01	6	58.2	41.5	14.8	7	R1/8	12
HVFS06-02B	HVFS06-02	6	60.8	41.5	14.8	9.5	R1/4	14
HVFS06-03B	HVFS06-03	6	62.2	41.5	14.8	10	R3/8	17
HVFS08-01B	HVFS08-01	8	59.2	41.5	14.8	7	R1/8	14
HVFS08-02B	HVFS08-02	8	61.2	41.5	14.8	9.5	R1/4	14
HVFS08-03B	HVFS08-03	8	62.8	41.5	14.8	10	R3/8	17
HVFS10-02B	HVFS10-02	10	72.8	46	21	9.5	R1/4	17
HVFS10-03B	HVFS10-03	10	73.8	46	21	10	R3/8	17
HVFS10-04B	HVFS10-04	10	77.2	46	21	13	R1/2	21
HVFS12-02B	HVFS12-02	12	73.6	46	21	9.5	R1/4	21
HVFS12-03B	HVFS12-03	12	74.5	46	21	10	R3/8	21
HVFS12-04B	HVFS12-04	12	77.5	46	21	13	R1/2	21

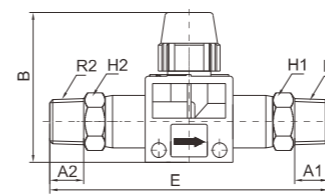
HVSF



Hand Valves

Model		ΦD	E	B	ΦP	A	R	H
Two Ways	Three Ways							
HVSF06-01B	HVSF06-01	6	58.2	41.5	14.8	7	R1/8	12
HVSF06-02B	HVSF06-02	6	60.8	41.5	14.8	9.5	R1/4	14
HVSF06-03B	HVSF06-03	6	62.2	41.5	14.8	10	R3/8	17
HVSF08-01B	HVSF08-01	8	59.2	41.5	14.8	7	R1/8	14
HVSF08-02B	HVSF08-02	8	61.2	41.5	14.8	9.5	R1/4	14
HVSF08-03B	HVSF08-03	8	62.8	41.5	14.8	10	R3/8	17
HVSF10-02B	HVSF10-02	10	72.8	46	21	9.5	R1/4	17
HVSF10-03B	HVSF10-03	10	73.8	46	21	10	R3/8	17
HVSF10-04B	HVSF10-04	10	77.2	46	21	13	R1/2	21
HVSF12-02B	HVSF12-02	12	73.6	46	21	9.5	R1/4	21
HVSF12-03B	HVSF12-03	12	74.5	46	21	10	R3/8	21
HVSF12-04B	HVSF12-04	12	77.5	46	21	13	R1/2	21

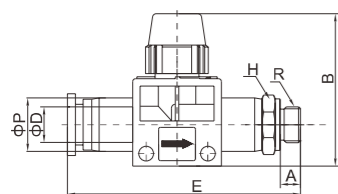
HVSS



Hand Valves

Model		E	B	R1	R2	A1	A2	H1	H2
Two Ways	Three Ways								
HVSS01-01B	HVSS01-01	65	41.5	R1/8	R1/8	7	7	14	14
HVSS02-01B	HVSS02-01	68	41.5	R1/4	R1/8	9.5	7	17	14
HVSS02-02B	HVSS02-02	67.1	41.5	R1/4	R1/4	9.5	9.5	17	17
HVSS03-02B	HVSS03-02	82.5	46	R3/8	R1/4	10	9.5	17	17
HVSS03-03B	HVSS03-03	83.5	46	R3/8	R3/8	10	10	17	17
HVSS04-03B	HVSS04-03	90.5	46	R1/2	R3/8	13	10	21	17
HVSS04-04B	HVSS04-04	94.5	46	R1/2	R1/2	13	13	21	21

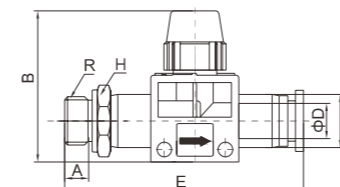
HVFS-G



Hand Valves

Model		ΦD	E	B	ΦP	A	R	H
Two Ways	Three Ways							
HVFS 06-G01B	HVFS 06-G01	6	56.2	41.5	14.8	5.5	G1/8	14
HVFS 06-G02B	HVFS 06-G02	6	58.8	41.5	14.8	7.5	G1/4	17
HVFS06-G03B	HVFS06-G03	6	61	41.5	14.8	8.5	G3/8	20
HVFS08-G01B	HVFS08-G01	8	57.2	41.5	14.8	5.5	G1/8	14
HVFS 08-G02B	HVFS 08-G02	8	59.2	41.5	14.8	7.5	G1/4	17
HVFS08-G03B	HVFS08-G03	8	61.5	41.5	14.8	8.5	G3/8	20
HVFS10-G02B	HVFS10-G02	10	71.3	46	21	7.5	G1/4	17
HVFS10-G03B	HVFS10-G03	10	72.2	46	21	8.5	G3/8	20
HVFS10-G04B	HVFS10-G04	10	75.2	46	21	11	G1/2	24
HVFS12-G02B	HVFS12-G02	12	71.6	46	21	7.5	G1/4	17
HVFS12-G03B	HVFS12-G03	12	72.5	46	21	8.5	G3/8	20
HVFS12-G04B	HVFS12-G04	12	75.5	46	21	11	G1/2	24

HVSF-G



Hand Valves

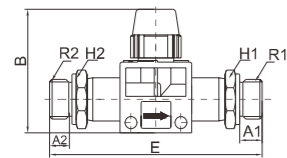
Model		ΦD	E	B	ΦP	A	R	H
Two Ways	Three Ways							
HVSF 06-G01B	HVSF 06-G01	6	56.2	41.5	14.8	5.5	G1/8	14
HVSF 06-G02B	HVSF 06-G02	6	58.8	41.5	14.8	7.5	G1/4	17
HVSF06-G03B	HVSF06-G03	6	61	41.5	14.8	8.5	G3/8	20
HVSF08-G01B	HVSF08-G01	8	57.2	41.5	14.8	5.5	G1/8	14
HVSF 08-G02B	HVSF 08-G02	8	59.2	41.5	14.8	7.5	G1/4	17
HVSF08-G03B	HVSF08-G03	8	61.5	41.5	14.8	8.5	G3/8	20
HVSF10-G02B	HVSF10-G02	10	71.3	46	21	7.5	G1/4	17
HVSF10-G03B	HVSF10-G03	10	72.2	46	21	8.5	G3/8	20
HVSF 10-G04B	HVSF 10-G04	10	75.2	46	21	11	G1/2	24
HVSF 12-G02B	HVSF 12-G02	12	71.6	46	21	7.5	G1/4	17
HVSF 12-G03B	HVSF 12-G03	12	72.5	46	21	8.5	G3/8	20
HVSF 12-G04B	HVSF 12-G04	12	75.5	46	21	11	G1/2	24

HVSS-G



Hand Valves

Model		E	B	R1	R2	A1	A2	H1	H2
Two Ways	Three Ways								
HVSSG01-G01B	HVSSG01-G01	60	41.5	G1/8	G1/8	5.5	5.5	14	14
HVSSG01-G02B	HVSSG01-G02	64	41.5	G1/4	G1/8	7.5	5.5	17	14
HVSSG02-G02B	HVSSG02-G02	63	41.5	G1/4	G1/4	7.5	7.5	17	17
HVSSG02-G03B	HVSSG02-G03	80	46	G3/8	G1/4	8.5	7.5	20	17
HVSSG03-G03B	HVSSG03-G03	81	46	G3/8	G3/8	8.5	8.5	20	20
HVSSG03-G04B	HVSSG03-G04	87	46	G1/2	G3/8	11	8.5	24	20
HVSSG04-G04B	HVSSG04-G04	90	46	G1/2	G1/2	11	11	24	24



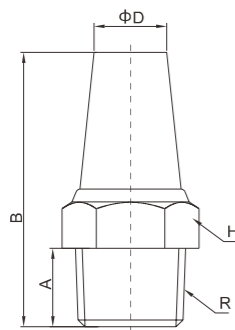
Pneumatic Muffler



SSL



Model	ΦD	G	A	B	H
SSL-01	8	G1/8	6.5	24	12
SSL-02	11	G1/4	8.5	33	15
SSL-03	14	G3/8	10	44	19
SSL-04	18	G1/2	10	49	21
SSL-06	21	G3/4	11	57	27



SSLP

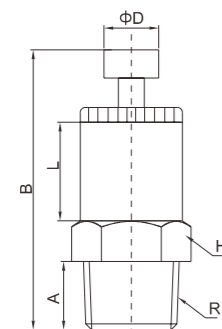


Model	G
SSLP-01	G1/8
SSLP-02	G1/4
SSLP-03	G3/8
SSLP-04	G1/2
SSLP-06	G3/4

SSLB



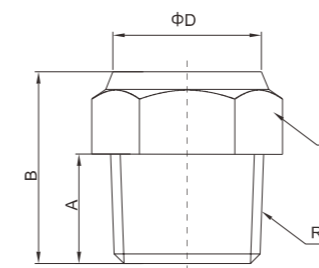
Model	ΦD	G	A	B	L	H
SSLB-01	6	G1/8	5.5	38	11	12
SSLB-02	7	G1/4	7.5	40	11	13
SSLB-03	12	G3/8	8	46	14.5	17
SSLB-04	14	G1/2	11	57	18.5	21
SSLB-06	17	G3/4	13	69	24	27



SSLF



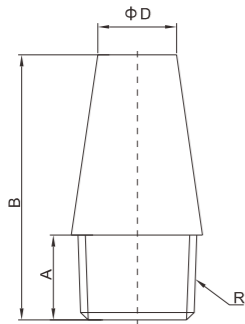
Model	ΦD	G	A	B	H
SSLF-01	10	G1/8	6.5	11	12
SSLF-02	13	G1/4	8.5	14	15
SSLF-03	16	G3/8	10	15	19
SSLF-04	17	G1/2	11	16	21
SSLF-06	22	G3/4	11.5	19	27



SSLD



Model	ΦD	G	A	B
SSLD-01	8	G1/8	4.5	19.5
SSLD-02	11	G1/4	6	26
SSLD-03	14	G3/8	7	35.5
SSLD-04	18	G1/2	8	42
SSLD-06	22	G3/4	9	46



SSLQ



Model	G
SSLQ-01	G1/8
SSLQ-02	G1/4
SSLQ-03	G3/8
SSLQ-04	G1/2

SSLA



Model	G
SSLA-01	G1/8
SSLA-02	G1/4
SSLA-03	G3/8
SSLA-04	G1/2
SSLA-06	G3/4