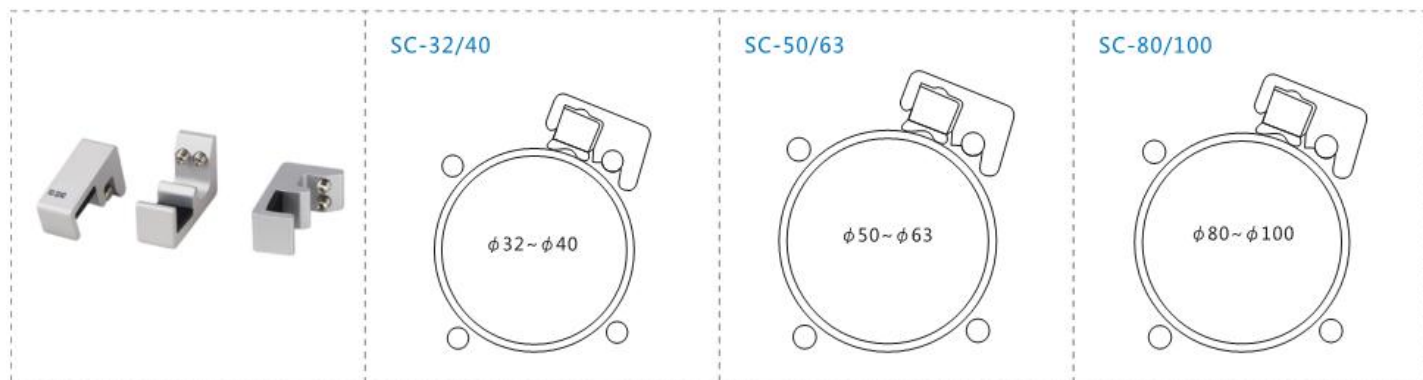


e) Accessories for magnetic switches

1. SC clamp for Round Cylinder barrel:

(Fixed with: CS1-U,CS1-F)

SC - 32/40
 ↑ ↑
 Clamp for SC cylinder Cylinder bore
 32mm~100mm



2. PM clamp for Round cylinder barrel:

(Fixed with: CS1-U,CS1-F)

PM - 6
 ↑ ↑
 Clamp for SC cylinder Pulling rod bore

