

NM Series Japanese Type Manual-operated Quick Coupling

—○—+—<— Self sealing socket+Thru-type plug

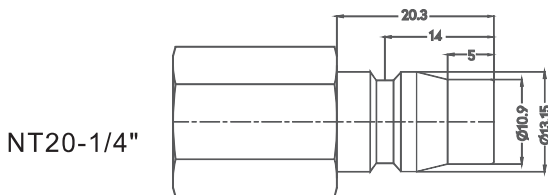


Ordering code

NM 20 - SF - 02 B

- ◆ Japanese Manual
- ◆ Body size
 - 20: 1/4"
 - 30: 3/8"
 - 40: 1/2"
- ◆ Coupling type
 - SF: Female socket
 - SM: Male socket
 - SH: Hose barb socket
 - SN: Nut lock socket
 - PF: Female plug
 - PM: Male plug
 - PH: Hose barb plug
 - PN: Nut lock plug
- ◆ Thread code
 - 02: 1/4"BSP
 - 03: 3/8"BSP
 - 04: 1/2"BSP
- ◆ Material code
 - B: Brass
 - S: Carbon steel
 - SS: Stainless steel SUS304/303

Plug profile



Compatible with

FOKCA	NT20
PARKER-RECTUS	13
NITTO	20,30,40
CEJN	315

Features

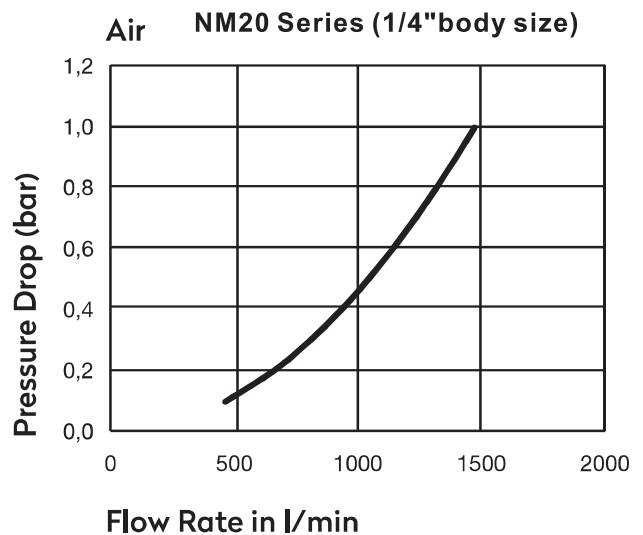
NM20 series Japanese economical manual-operated type quick couplings can be interchanged with NT20 series, NITTO 20, 30, 40 series, Parker-Rectus 13, CEJN315 series. Compatible with all NT20 series nipples or plugs. The body, sleeve and nipples are usually made of carbon steel with chrome-plated, and the element is made of steel with nickel plated. It is equipped with 4 stainless steel locking balls.

The couplers are mainly divided into four types: female thread, male thread, hose barb tail and nut-lock type. This series of coupling adopts manual sleeve structure, which requires two-hand operation, simple structure, low cost, high cost performance. The maximum working pressure is 1.0MPa. It is available for 1/4" flow rate body only. If a larger flow rate is required, we can also provide NM30 and NM40 series.

Specification

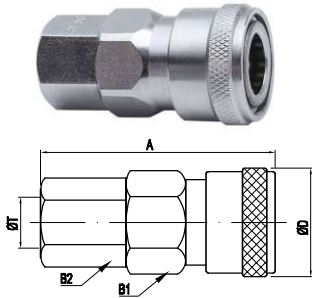
Series	NM20
Body Size(in.)	1/4"
Rated Pressure(MPa)	1.0MPa
Temperature Range	-10°C ~ +70°C
Locking Device	4 balls

Performance



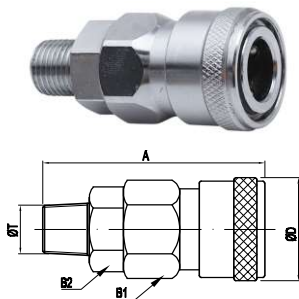
Sockets/Couplers

Female Pipe Thread



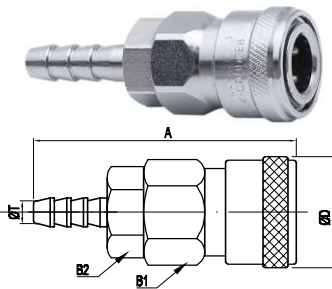
Model	Body Size	Thread -NPT	Overall (A)	Hex Size (B1)	Hex Size (B2)	Diameter (D)
NM20-SF-02	1/4	1/4"NPT	49.6	19	22	26.6
NM20-SF-03	1/4	3/8"NPT	49.6	19	22	26.6
NM20-SF-04	1/4	1/2"NPT	59	24	22	26.6

Male Pipe Thread



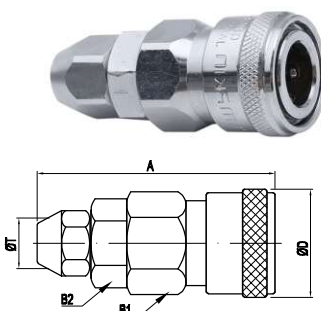
Model	Body Size	Thread -NPT	Overall (A)	Hex Size (B1)	Hex Size (B2)	Diameter (D)
NM20-SM-02	1/4	1/4"NPT	50.7	19	22	26.6
NM20-SM-03	1/4	3/8"NPT	50.7	19	22	26.6
NM20-SM-04	1/4	1/2"NPT	56	22	22	26.6

Standard Hose Barb



Model	Body Size	Hose I.D.	Overall (A)	Hex Size (B1)	Hex Size (B2)	Diameter (D)
NM20-SH-1/4	1/4	1/4"	73	19	22	26.6
NM20-SH-3/8	1/4	3/8"	73	19	22	26.6
NM20-SH-1/2	1/4	1/2"	76	19	22	26.6

Push-Lok Hose barb



Model	Body Size	Hose I.D.	Overall (A)	Hex Size (B1)	Hex Size (B2)	Diameter (D)
NM20-SN-1/4	1/4	1/4"	60	19	22	26.6
NM20-SN-3/8	1/4	3/8"	60	19	22	26.6
NM20-SN-1/2	1/4	1/2"	64	19	22	26.6