

Pneumatically Operated 3-way Seat Valve

Series TV300 (Manifold Valve Type)

3/2-way Seat Valve

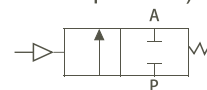
Pneumatically Operated, for medium up to +180° C, Manifold valve type, threaded port & Weld ends connection DN 15-25

- For mixing or distributing mediums;
- Controlled by a pilot valve;
- Flow optimized body in stainless steel;
- Long service life and maintenance-free operation.

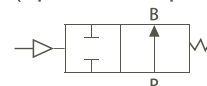


Symbol

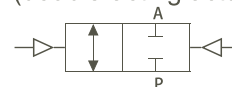
Control function A
(closed by spring force in rest position)



Control function B
(open in rest position)



Control function I
(double-acting actuator)



◆ How to Order

TV300 P 015 NC S T x 63mm



TV300SO15NCSW



TV300SO55NCST

Port Connection Type

T	Threaded port
W	Weld end

Acting Type

S	Single acting	DS	Double acting
---	---------------	----	---------------

Body Material

Blank	S.S 304 (standard)
4	S.S 316
5	S.S 316L

Control Function

NO	Normally open
NC	Normally closed (standard)
NA	Liberty

Nominal Diameter

15	G1/2
20	G3/4
25	G 1

Actuator Material Code

P	PA Actuator
S	S.S. Actuator
A	Aluminum Actuator

Model

TV300	3/2-way Seat Valve (Manifold type)
-------	------------------------------------

- ◆ TV300 Series 3-way seat valve consists of a pneumatically operated actuator and a 3-way valve body. The actuator is available in three different materials, PA, aluminum and stainless steel, depending on the ambient temperature and customer requirements. Materials available for the valve body are stainless steel 304, 316 and 316L. With our full range of compatible accessories, the mini-flange construction of the 3-way valve housing enables an unlimited number of the valves to be chained into linear groups, facilitating the neat and efficient layout of the pipeline system. Interchanging of pressure and service ports enables different fluidic circuit functions, such as mixing or distributing of the mediums. The flow-optimized valve body of TV300 allows excellent flow rates. The tried and tested self-adjusting gland secures a high level of tightness and thus ensures reliable operation over years. For the user, the integrated valve design guarantees the neat and orderly installation of the equipment system, as well as economical benefits.

◆ Actuator Size

Port Size	Standard Actuator Size (mm)		
	PA	S.S.	AL
DN15	40,50		
DN20	40,50		
DN25	40,50,63		

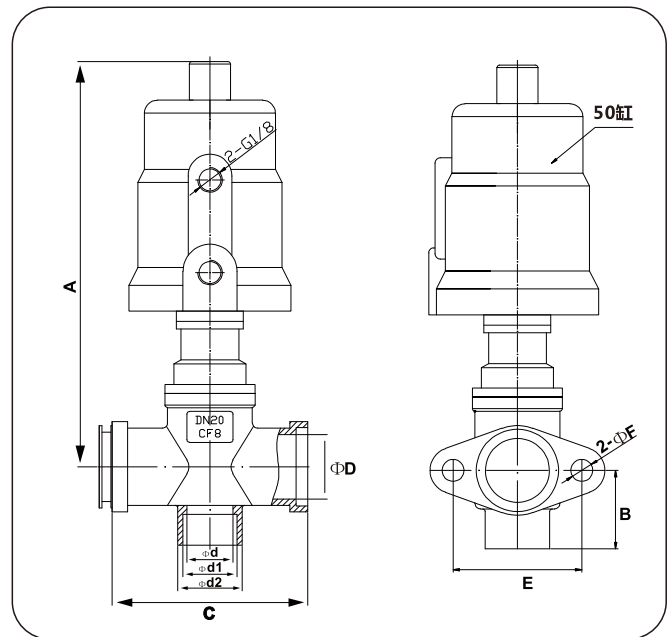
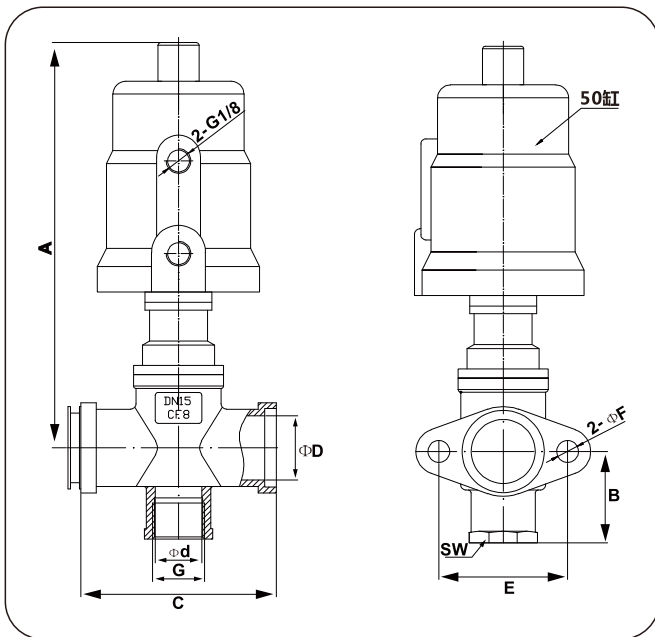
Pneumatically Operated 3-way Seat Valve

Series TV300 (Manifold Valve Type)

◆ Specifications

Model /Specifications	DN15	DN20	DN25
Control Function	3/2 way normally closed(NC)		
Actuator Material	PA Actuator /S.S. Actuator /Aluminum Actuator		
Valve Body Material	S.S304 /316 /316L		
Nominal Pressure	PN16(body)		
Operating Method	Plunger pilot		
Ambient and Fluid	Water,alcohol,oils, fuels,hydraulic fluid,alkaline solutions, salt solution,organic solutions, hot water,steam		
Viscosity	Max.600 ² mm /s		
Medium Temperature	- 10~180℃		
Ambient Temperature	PA Actuator: - 10~60℃ S.S. Actuator/Aluminum Actuator: - 10~140℃		
Installation	As required, preferably with actuator in upright position		
Control Medium	Neutral gases,air		
Packing Gland (with silicone grease)	PTFE V-rings with spring compensation		
Seat Seal	PTFE/FPM/NBR		
Stem Seal	PTFE/FPM		
Piston Seal	FPM/NBR		

◆ Dimensions [mm]



Threaded Port

Type	DN 15	DN 25
A	50	50
B	35	46
C	76	90
Φ D	Φ 25	Φ 32
Φ d1	Φ 18	Φ 24
E	50	57
Φ F	Φ 8.5	Φ 8.5
G	G 1/2	G 1
SW	27	39

Weld Ends

Type	DN 20	DN 25
A	50	50
B	30	36
C	76	90
Φ D	Φ 25	Φ 32
Φ d	Φ 18	Φ 24
Φ d1	Φ 21	Φ 27
Φ d2	Φ 25	Φ 32
E	50	57
Φ F	Φ 8.5	Φ 8.5