

Globe Control Valve, Pneumatically Operated Series GV100



2/2-way Globe Control Valve , Pneumatically Operated, for medium up to +150°C, threaded port connection, DN 15-65

- High flow rate
- Long life cycle
- NC and NO universal actuators with modular universal accessory program up to control heads
- Simple conversion of the circuit function

◆ How to Order



GV100P025NC

◆

GV100 P 015 NC D x 63mm

Acting type

D	Double acting
---	---------------

Body Material

Blank	S.S 304 (standard)
4	S.S 316
5	S.S 316L

Control Function

NO	Normally open
NC	Normally closed (standard)

Port code

		15	G1/2
20	G3/4	25	G1
32	G1 1/4	40	G1 1/2
50	G2	65	G2 1/2

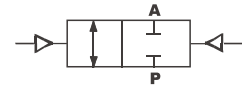
Actuator Material code

P	PA Actuator
S	S.S. Actuator
A	Aluminium Actuator

Model

PV100	100 series Angle Seat Valve
-------	-----------------------------

Symbol
Control function
(double-acting actuator)



Construction

Seal Material: PTFE (NBR, FKM and EPDM on request)

Media

Liquid and gaseous media that do not attack the housing and seal materials

Control Medium Air

Temperature range

Medium temperature: -10 to 80°C with NBR seal -10 to 150°C (PTFE,FKM)

Ambient temperature: -10 to 60°C

Standard version PA actuator, S.S actuator on request

Globe Control Valve, Pneumatically Operated

Series GV100

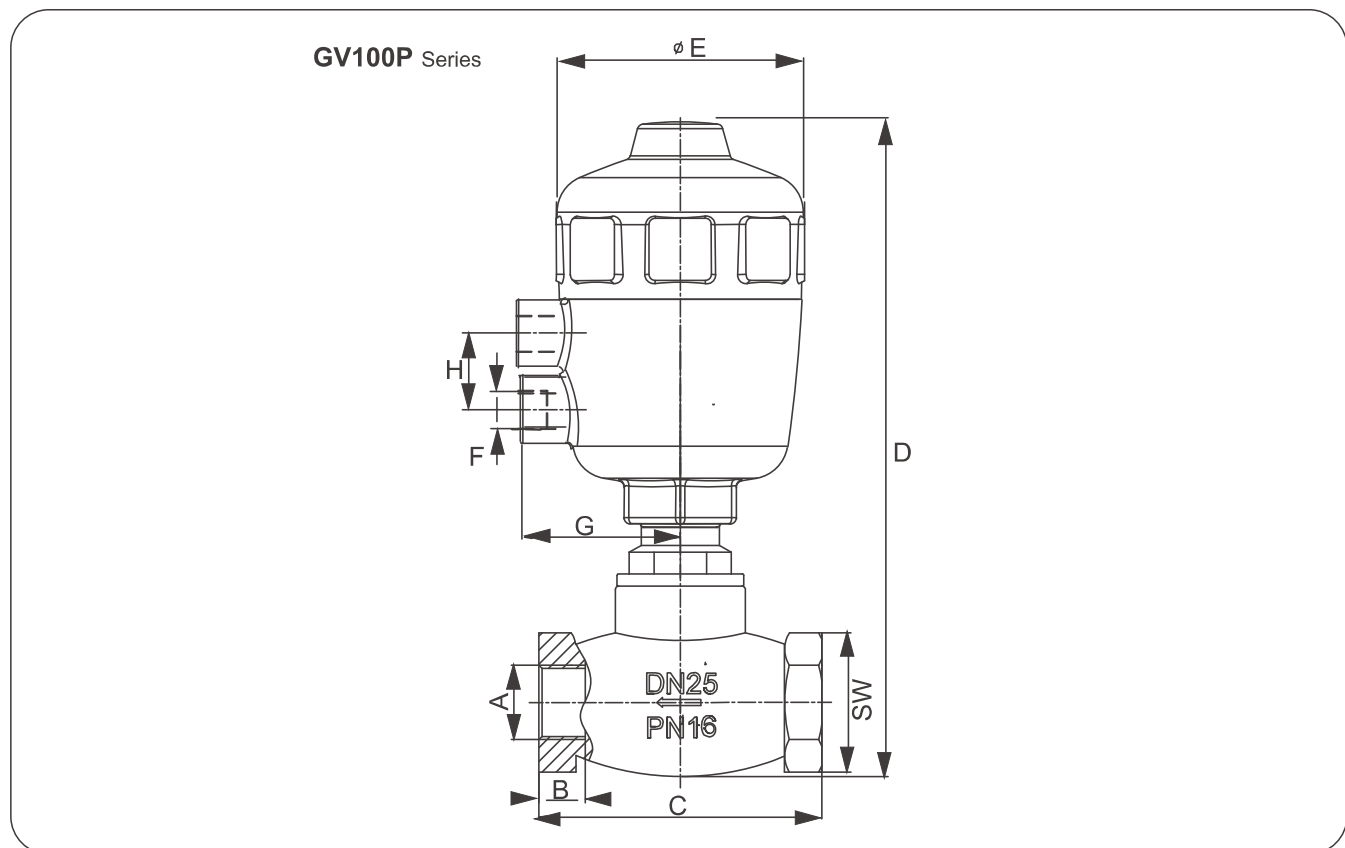
Applications

Food, packaging, petrochemical, metallurgican, spraying, vehicles, printing and dyeing machinery etc.;

◆ Specifications

Model Specification	Normally Closed	P015NC	P020NC	P025NC	P032NC	P040NC	P050NC	P065NC
	Normally Open	P015NO	P020NO	P025NO	P032NO	P040NO	P050NO	P065NO
Material of Body/ Actuator	S,S304 316 /PA							
Operating Method	Plunger Pilot							
Ambient and fluid	Air,Water,Oil,Steam (50CTS Bellow)							
Port size	G1/2	G3/4	G1	G1 1/4	G1 1/2	G2	G2 1/2	
Nominal Diameter mm	13	20	25	32	40	50	65	
Kv (m ³ /h)	4.2	8	19	27.5	42	55	90	
Pressure Range Mpa	0~1.6	0~1.6	0~1.6	0~1.6	0~1.6	0~1.6	0~1.6	
Min.Control Pressure Mpa	0.30	0.30	0.35	0.35	0.35	0.32	0.32	
Executor Dimension mm	40/50	50	50 / 63	63	63	63/80	80	

◆ Dimensions [mm]



Port Size	DN (mm)	Actuator (mm)	A	B	C	D	E	F	G	H	SW
1/2"	DN15	40	G1/2"	12	57	148	53	G1/8"	32	20	26
		50	G1/2"	12	57	161	64	G1/4"	45	24	26
3/4"	DN20	50	G3/4"	12	67	170	64	G1/4"	45	24	35
1"	DN25	50	G 1"	12	72	173	64	G1/4"	45	24	42
		63	G 1"	12	72	193	80	G1/4"	50	24	42
1-1/4"	DN32	63	G1-1/4"	16	85	212	80	G1/4"	50	24	50
1-1/2"	DN40	63	G1-1/2"	16	98	222	80	G1/4"	50	24	56
2"	DN50	63	G2"	22	112	233	80	G1/4"	50	24	68
		80	G2"	22	112	258	101	G1/4"	58	24	68
2-1/2"	DN65	80	G2-1/2"	22	138	265	101	G1/4"	58	24	84