

Globe Control Valve, Pneumatically Operated

Series GV100

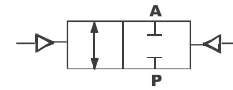
FESCOLO

2/2-way Globe Control Valve , Pneumatically Operated, for medium up to +150°C, polished actuator, threaded port connection, DN 15-65

- High flow rate
- Long life cycle
- Simple conversion of the circuit function

Symbol

Control function
(double-acting actuator)



◆ How to Order



GV200S025NC

GV200	S	015	NC		D	x	63mm
Acting type							
D		Double acting					
Body Material							
Blank		S.S 304 (standard)					
4		S.S 316					
5		S.S 316L					
Control Function							
NO		Normally open					
NC		Normally closed (standard)					
Port code							
		15		G1/2			
20		G3/4		G1			
32		G1 1/4		G1 1/2			
50		G2		G2 1/2			
Actuator Material code							
S		S.S Actuator					
Model							
GV200		200 seires Globe Control Valve					

Construction

Seal Material: PTFE (NBR, FKM and EPDM on request)

Liquid and gaseous media that do not attack the housing and seal materials

Media

Control Medium Air

Temperature range

Medium temperature: -10 to 80°C with NBR seal -10 to 150°C (PTFE,FKM)

Ambient temperature: -10 to 60°C

Standard Version: Aluminium actuator, S.S actuator on require

Globe Control Valve, Pneumatically Operated

Series GV200

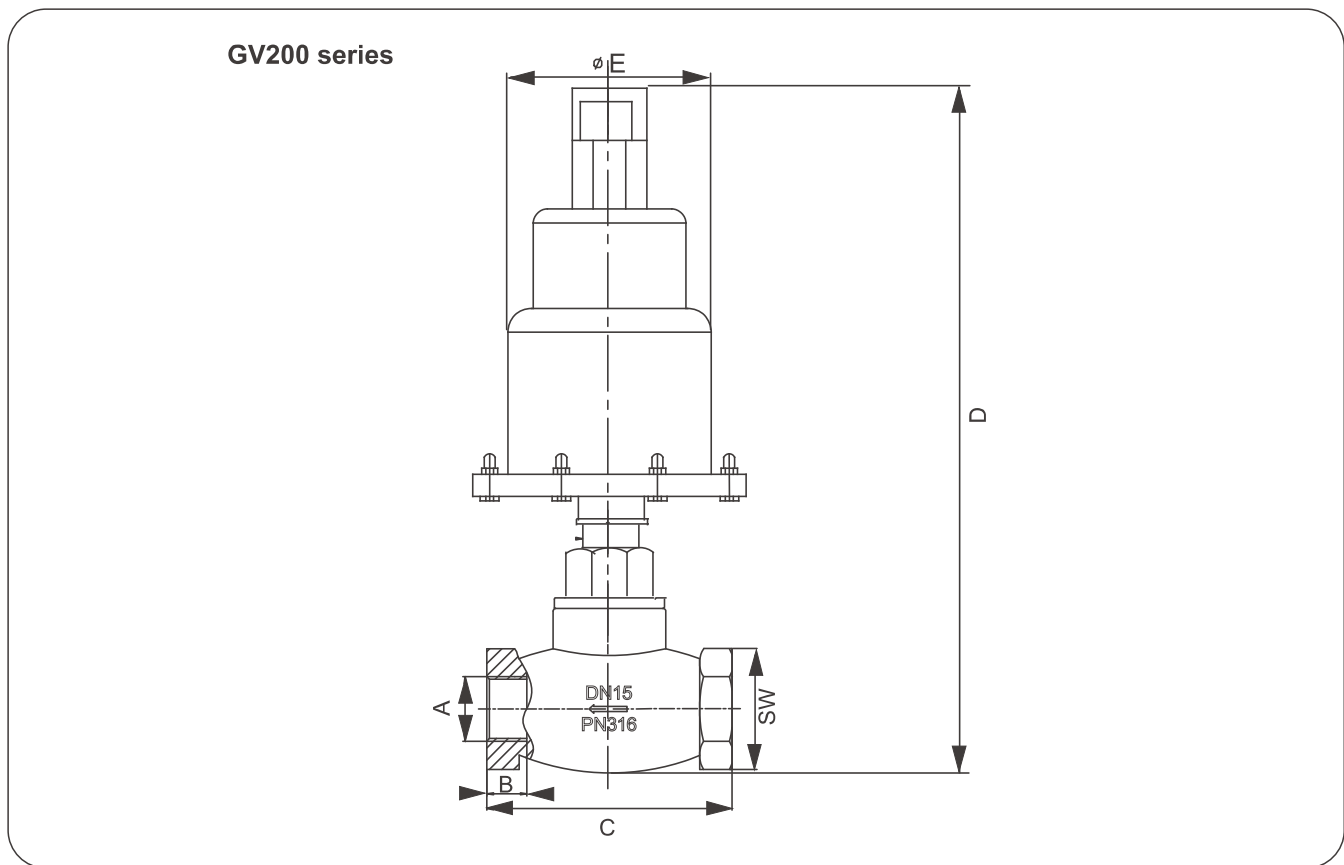
Applications

Food, packaging, petrochemical, metallurgical, spraying, vehicles, printing and dyeing machinery etc.;

◆ Specifications

Model Specification	Normally Closed	015NC	020NC	025NC	032NC	040NC	050NC	065NC
	Normally Open	015NO	020NO	025NO	032NO	040NO	050NO	065NO
Material of Body/ Actuator	S.S304 316 /PA							
Operating Method	Plunger Pilot							
Ambient and fluid	Air, Water, Oil, Steam (50CTS Bellow)							
Port size	G1/2	G3/4	G1	G1 1/4	G1 1/2	G2	G2 1/2	
Nominal Diameter mm	13	20	25	32	40	50	65	
Kv (m ³ /h)	4.2	8	19	27.5	42	55	90	
Pressure Range Mpa	0~1.6	0~1.6	0~1.6	0~1.6	0~1.6	0~1.6	0~1.6	
Min. Control Pressure Mpa	0.30	0.30	0.35	0.35	0.35	0.35	0.32	0.32
Executor Dimension mm	40/50	50	50/63	63	63	63/80	80	

◆ Dimensions



Port Size	DN (mm)	Actuator (mm)	A	B	C	D	E	SW
1/2"	DN15	40	G1/2"	12	57	153	42.5	26
		50	G1/2"	12	57	162	52.5	26
3/4"	DN20	50	G3/4"	12	67	175	52.5	35
1"	DN25	50	G1"	12	72	180	52.5	42
		63	G1"	12	72	210	66	42
1-1/4"	DN32	63	G1-1/4"	16	85	226	66	50
1-1/2"	DN40	63	G1-1/2"	16	98	235	66	56
2"	DN50	63	G2"	22	112	250	66	68
		80	G2"	22	112	272	83	68
2-1/2"	DN65	80	G2-1/2"	22	138	304	83	84