

Globe Control Valve, Pneumatically Operated Series GV500 (Big Actuator)

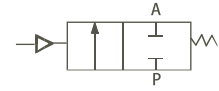


2/2-way Globe Control Valve, Pneumatically Operated, for medium up to +150° C, threaded Port connection DN 15-65

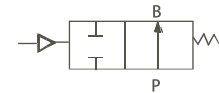
- Classical design, Long life cycle;
- NC, NO or double acting liberty is optional
- Structure in coaxial stop, leakage proof and high flow rate
- Saving energy

Symbol

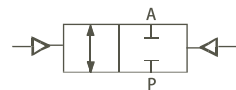
Control function A
(closed by spring force in rest position)



Control function B
(open in rest position)



Control function I
(double-acting actuator)

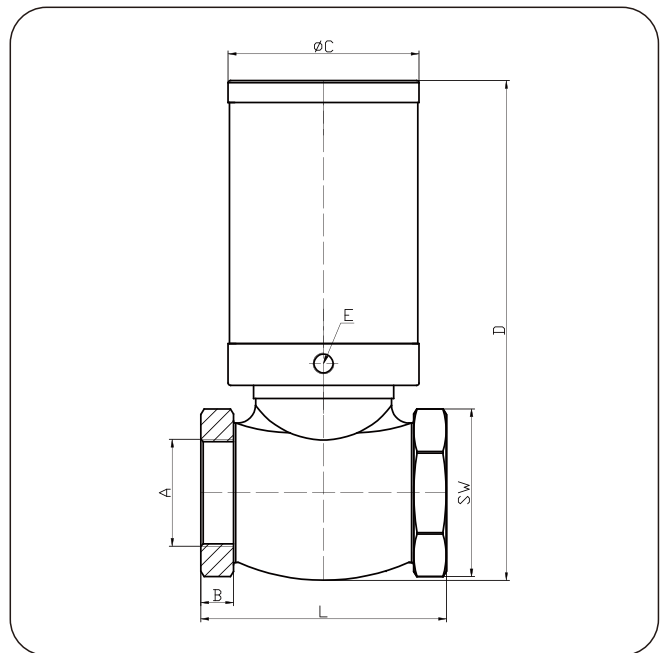


◆ How to Order



GV500A040

◆ Dimensions [mm]



GV500A (Big Actuator)

Order Code	A	B	∅C	D	E	L	SW
GV500A015	1/2	12	31	102	G1/8	57	26
GV500A020	3/4	12	38	120	G1/8	67	35
GV500A025	1	12	46	138	G1/8	72	42
GV500A032	1-1/4	16	56	154	G1/8	85	50
GV500A040	1-1/2	16	69	178	G1/8	98	56
GV500A050	2	22	87	229	G1/8	112	68
GV500A065	2-1/2	22	108	260	G1/4	138	84

◆ Actuator Size

Port Size	Standard Actuator Size mm	Big Actuator Size mm
DN15	25	32
DN20	25	32
DN25	32	40
DN32	40	50
DN40	50	63
DN50	63	80
DN65	80	100

- ◆ GV500 series external pilot control valve, driven by a piston actuator of single or double action, is superior in its simple construction, sensitive response and reliable operation, etc

◆ Specifications

- Ambient temperature range:** -10°C to 60°C
- Pilot fluid temperature range:** -10°C to 60°C
- Maximum allowable pressure:** 16 bar
- Maximum viscosity:** 600 cSt (mm²/s)¹⁾
- Ambient and fluid:** Air, water, oil and light viscosity fluid
- Maximum pilot pressure:** 10 bar
- Pilot fluid:** Filtered air
- Valve body material:** SS304/316/316L
- Stuffing box housing material:** Aluminium
- Actuator material:** Aluminium
- Stem/Disc material:** SS304
- Wiper seal:** FPM
- Disc seal:** PTFE

¹⁾ For higher viscosity applications, please consult AXM.