

# Y type Manual Angle Seat Valve

## Series MV100

### Y type Manual Angle Seat Valve



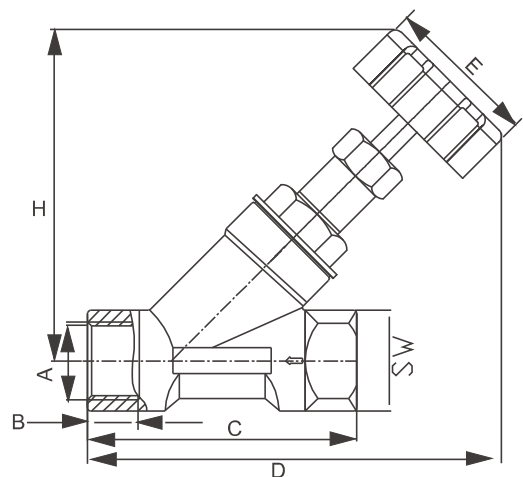
MV100-025

### 2/2-way Angle Seat Valve, manually operated, for medium up to +180° C, DN15-50

- Compact industrial design with long service life;
- Adjustable flow rates;
- Stainless steel valve body;
- excellent seat tightness due to PTFE soft sealing;

- ◆ **MV100 Series Manually-operated angle seat valve are delivered as standard with threaded or weld end port connection, There are 2 types function which is optional: usually MV100 is used only for On/Off function, control a defined flow is required with Model MV100A**

Swivel plate type:  
Parabolic plug  
it can be used to control a defined flow.



### ◆ Specifications

Model Specification	Specification
Mateial of body	CF8/CF8M
Port Size	DN10-DN50
Seat seal	PTFE
Temp. of Medium	- 20 ~180°C
Installing	see following
Ambient and fluid	Air,Water,Oil,Steam,gas Organic solvent, acidic solution, weakly alkaline solution
Flow direction	Any flow direction (MV100A must be below seat)

### ◆ Dimensions [mm]

Port Size	A	B	C	D	E	H	SW
<b>DN10</b>	G3/8	12	65	125	50	96	25
<b>DN15</b>	G1/2	14	76	125	50	105	28
<b>DN20</b>	G3/4	16	92	127	50/63	121	32
<b>DN25</b>	G1	21	103	137	63	128	39
<b>DN32</b>	G1-1/4	19	112	164	63	162	49
<b>DN40</b>	G1-1/2	21	129	167	63	165	56
<b>DN50</b>	G2	27	143	181	63	173	68

Note:Installation in any orientation but preferably with the handwheel above