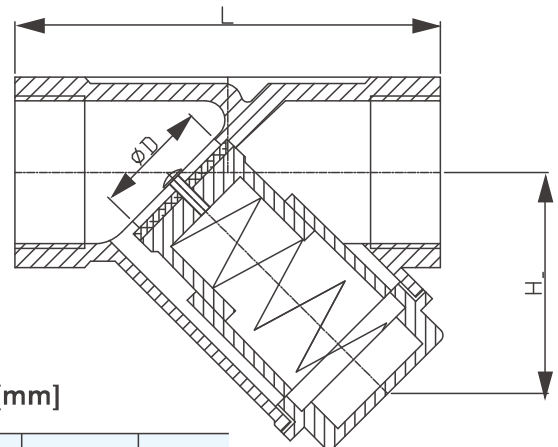


Y- Spring Vertical lift Check Valve Series CV300

Y Spring Vertical Lift Check Valve



Port Size
CV300-025



◆ Specifications

Model Specification	Specification
Nominal Pressure	PN1.6, 2.5, 4.0, 6.4Mpa
Strength test Press	PT2.4, 3.8, 6.0, 9.6Mpa
High P. test Press.	1.8, 2.8, 4.4, 7.1Mpa
Medium Temp.	-20 ~180°C
Gasket material	PTFE
Ambient and fluid	-C water, oil, gas
	-P Nitric acid (Material CF8)
	-R Acetic acid (Material CF8M)

Note: Select suitable products in terms of working medium (see details in specifications).

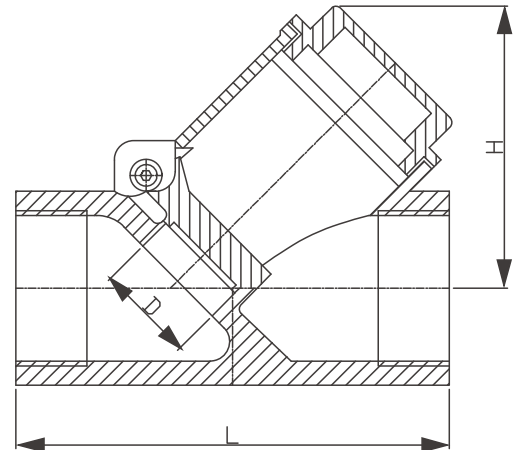
◆ Dimensions [mm]

Port Size	H	L	D
DN15	44	64	15
DN20	52	75	20
DN25	60	86	25
DN32	64	102	32
DN40	70	118	40
DN50	88	134	48

Y - Swing Check Valve



Y - Swing Check Valve Series CV400



◆ Specifications

Model Specification	Specification
Nominal Pressure	PN1.6, 2.5, 4.0, 6.4Mpa
Strength test Press	PT2.4, 3.8, 6.0, 9.6Mpa
High P. test Press.	1.8, 2.8, 4.4, 7.1Mpa
Medium Temp.	-20 ~180°C
Gasket material	PTFE
Ambient and fluid	-C water, oil, gas
	-P Nitric acid (Material CF8)
	-R Acetic acid (Material CF8M)

Note: Select suitable products in terms of working medium (see details in specifications).

◆ Dimensions [mm]

Port Size	H	L	D
DN15	44	67	12
DN20	53	80	20
DN25	57	90	23
DN40	78	122	37
DN50	93	144	46