

Ball Valve:

a) Brass mini ball valve



VB01-MM-1/4



VB01-FF-1/4



VB01-MF-1/4



VB01-MH-1/4-8

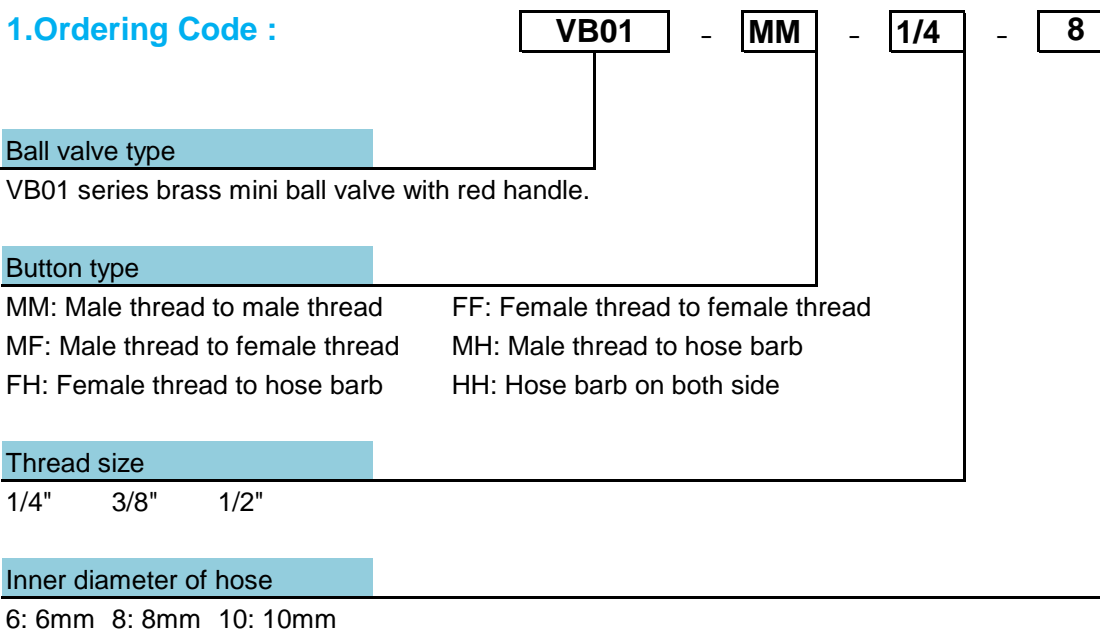


VB01-FH-1/4-8



VB01-HH-8-8

1. Ordering Code :



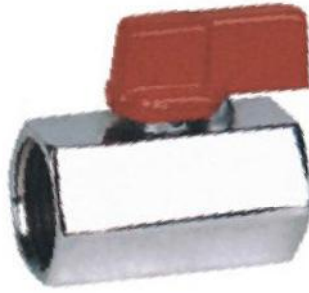
2.Characteristics:

- 1) Pressure range: 0~1.0MPa
- 2) Working temperature: 0~60°C
- 3) Different thread types can be offered according to customers' requirements, e.g.: PT, BSP, NPT etc.

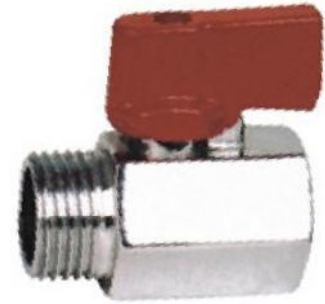
b) Nickel plated Mini Ball Valve



VB09-MM-3/8

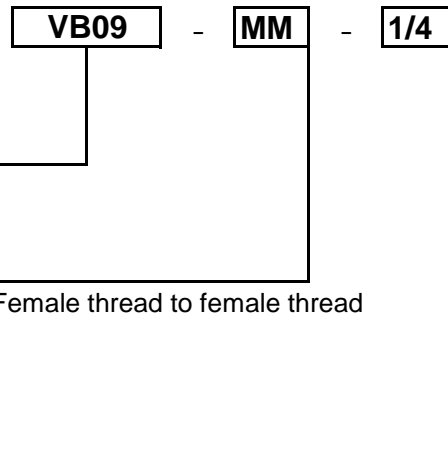


VB09-FF-1/4



VB09-MF-1/4

1.Ordering Code :



2.Characteristics:

- 1) Pressure range: 0~1.0MPa
- 2) Working temperature: 0~60°C
- 3) Different thread types can be offered according to customers' requirements, e.g.: PT, BSP, NPT etc.

c) VB23,VB24 Series Ball Valve

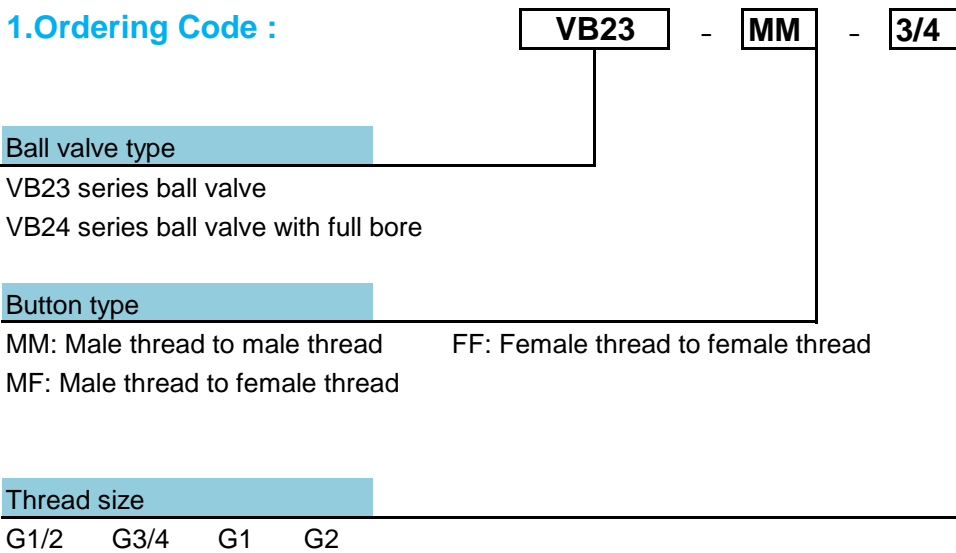


VB23-FF-3/4



VB24-FF-1

1.Ordering Code :



2.Characteristics:

- 1) Pressure range: 0~1.0MPa
- 2) Working temperature: 0~60°C
- 3) Different thread types can be offered according to customers' requirements, e.g.: PT, BSP, NPT etc.