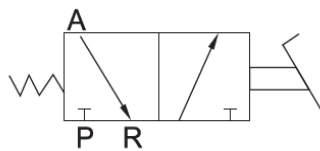


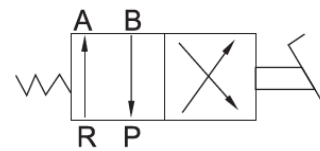
FV320,FV420 Series Foot Valve:



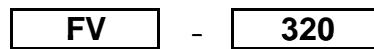
FV320



FV420



1.Ordering Code :



Foot valve type

FV: FV Series foot valve

Button type

320: Two positions three ports

420: Two positions four ports

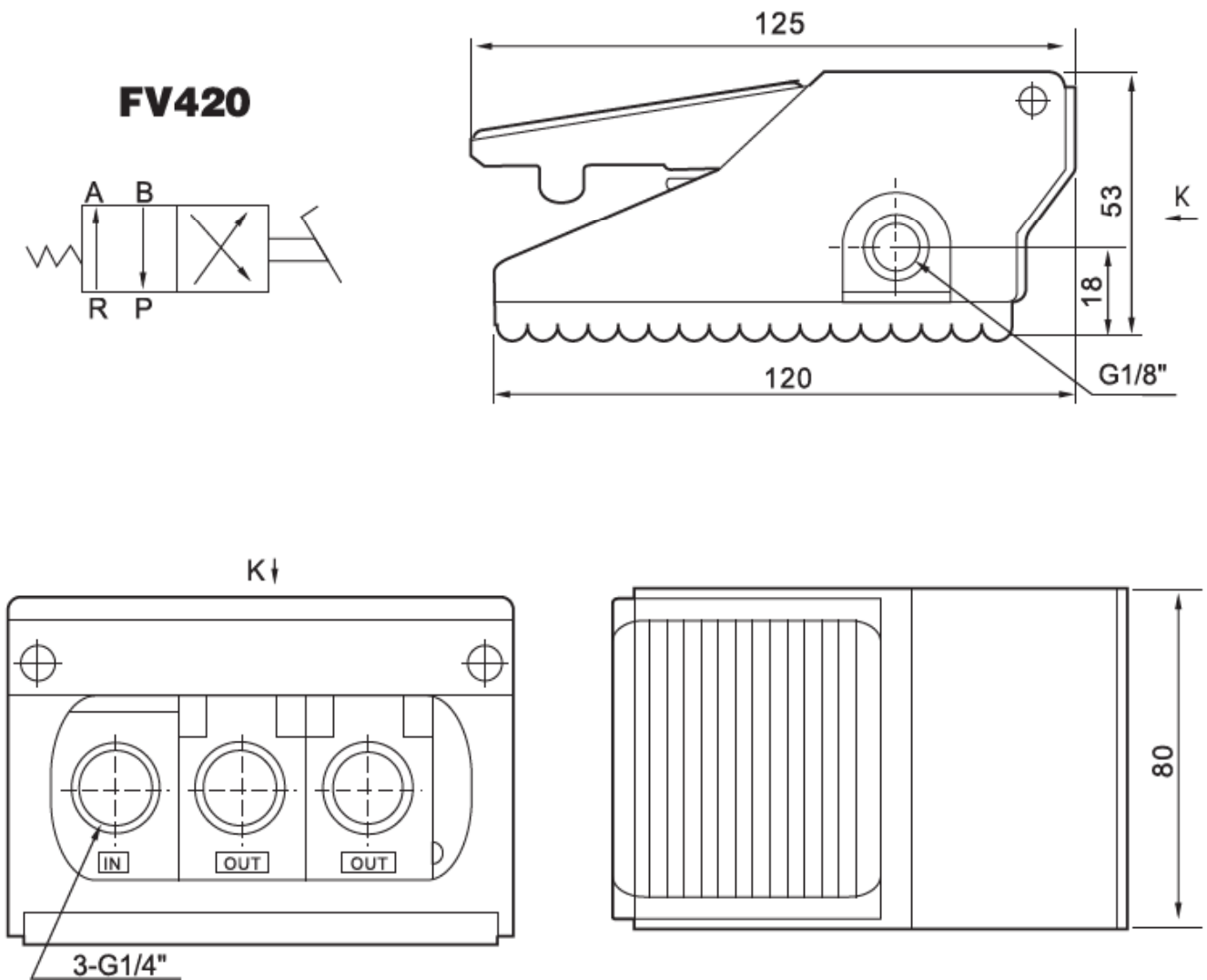
2.Characteristics:

- 1) FV Series foot valve is with high response and stability nature.
- 2) There are two motion pattern, 2positions/3ports and 2positions/4ports
- 3) The material of valve body: Aluminum alloy.
- 4) Different thread types can be offered according to customers' requirements, e.g.: PT, NPT etc.

3. Specification:

Item	FV-320	FV-420
Applicable medium	≤40μ Filtered Air	
Motion patten	Direct drive type	
Valve type	two positions three ports	two positions three ports
Working pressure	0.15~0.9MPa	
Proof Pressure	1.0MPa	
Temperature range	NBR: 0℃~60℃	
Port size	Inlet and outlet	G1/4
	Exhaust port	G1/8

4. Overall and Dimension Sheet:



FV320

