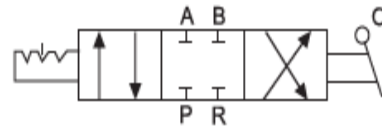


4HV Series Hand-Switching Valve:



4HV230-08

1.Ordering Code :

4HV **230** - **08**

Valve type (3positions/4ways)

4HV series hand-switching valve

Body size

- 230 series
- 330 series
- 430 series

Port size

- 08: G1/4
- 10: G3/8
- 15: G1/2

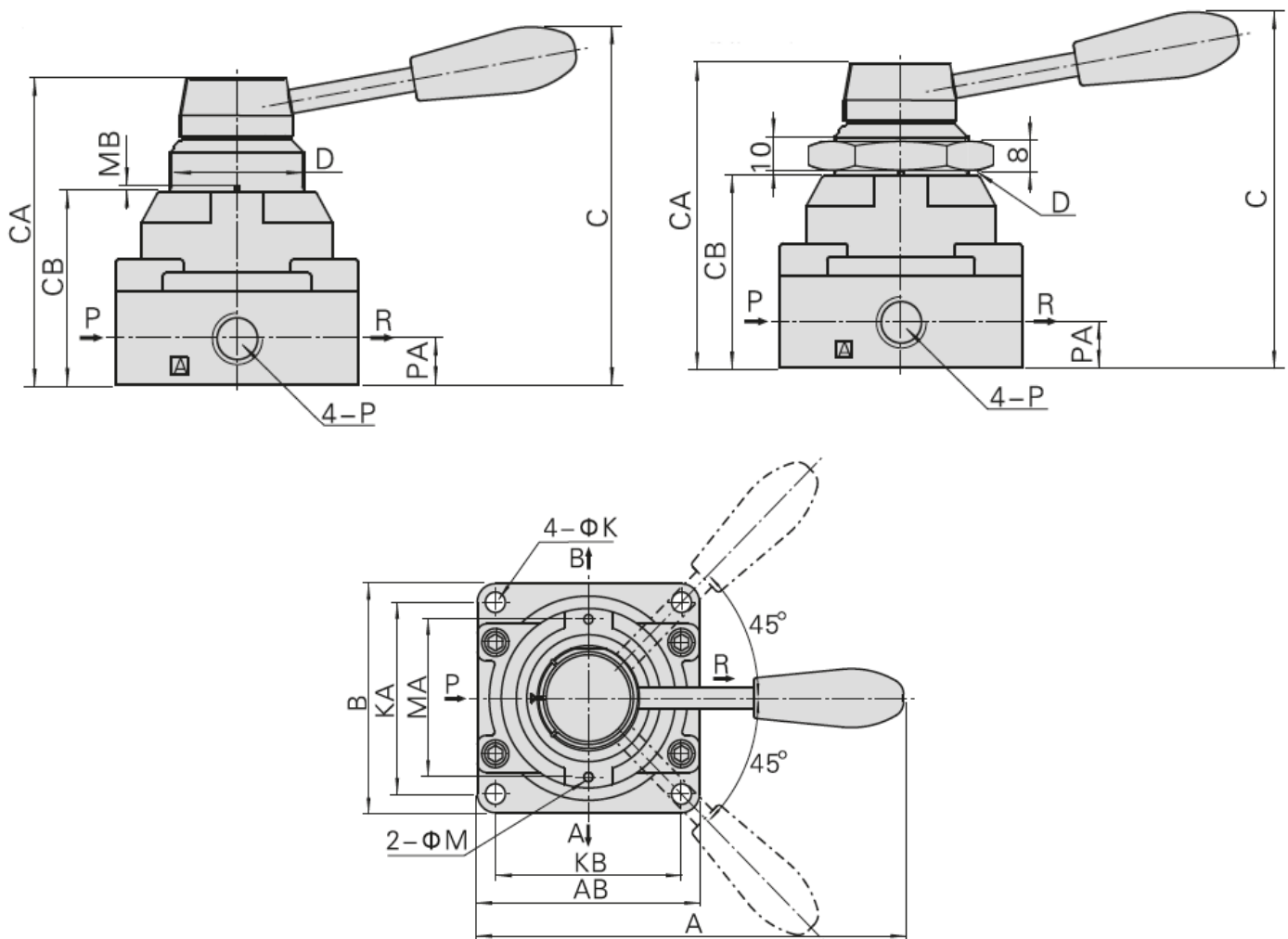
2.Characteristics:

- 1) The 4HV series hand valve is controlled by human or machine, to switch the direction of air flow.
- 2) There are two mounting types, panel mounting with nut and bottom mounting with bolts.
- 3) With big effective flow area and low pressure loss.
- 4) Different thread types can be offered according to customers' requirements, e.g.: PT, NPT etc.

3.Specification:

Item	4HV230-08	4HV330-10	4HV430-15
Valve type	Three positions four ports		
Applicable medium	40 Micron Filtered Compressed air		
Working pressure	0~0.8 MPa		
Temperature range	0°C~60°C		
Port size	G1/4	G3/8	G1/2

4. Overall and Dimension Sheet:



Model	A	AB	B	C	CA	CB	D	K	KA	KB	M	MA	MB	P	PA
4HV230-06	120	62	62	92.5	73	45	M34 × 1.5	5.5	49	49	3	40	1.5	PT1/8	11.5
4HV230-08	120	62	62	92.5	73	45	M34 × 1.5	5.5	49	49	3	40	1.5	PT1/4	11.5
4HV330-08	140	74	74	104	88.5	56	M40 × 1.5	6.5	62	62	3	51	1.5	PT1/4	13.5
4HV330-10	140	74	74	104	88.5	56	M40 × 1.5	6.5	62	62	3	51	1.5	PT3/8	13.5
4HV430-15	160	94	102	128	110	72	M52 × 1.5	6.5	89	81	3	64	2	PT1/2	18
4HV430-20	160	94	102	128	110	72	M52 × 1.5	6.5	89	81	3	64	2	PT3/4	18