

MSV Series Mechanical Valve:



MSV86522



MSV86522-R



MSV86522-TB



MSV86522-LB



MSV86522-EB



MSV86522-PB

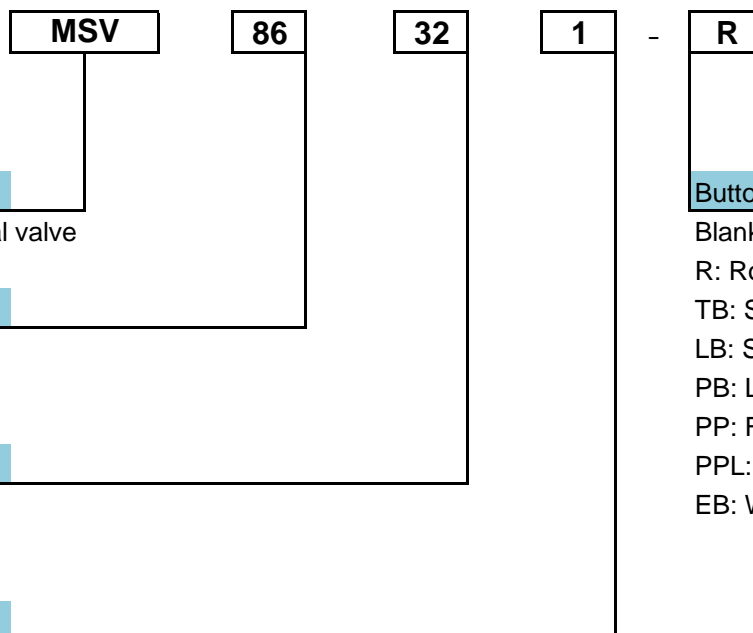


MSV86522-PP



MSV86522-PPL

1.Ordering Code :



2.Characteristics:

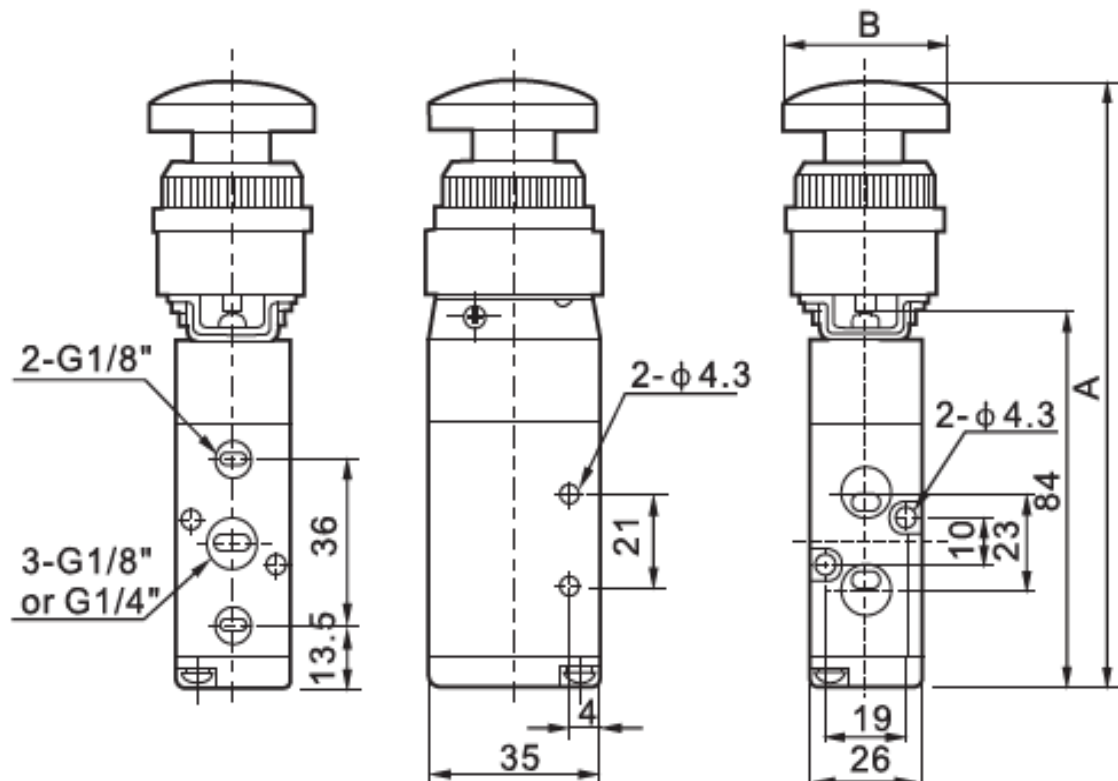
- 1) The MSV series mechanical valve is controlled by human or machine, to switch the direction of air flow.
- 2) The material of valve body: Aluminum alloy.
- 3) Different button types are available, like selective knob,lock button, plat round and roller.
- 4) Different thread types can be offered according to customers' requirements, e.g.: PT, NPT etc.

3.Specification:

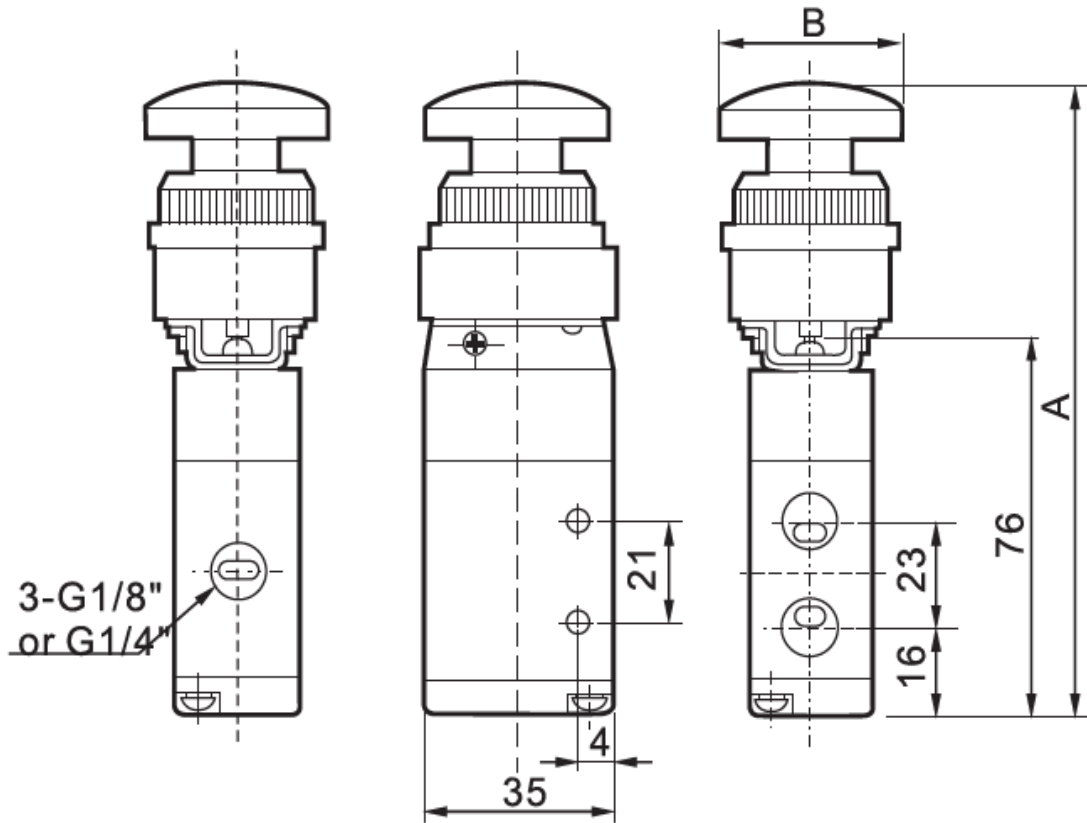
Item	MSV86321	MSV86522	MSV98322
Valve type	2positions 3ways	2positions 5ways	2positions 3ways
Working Medium	40 Micron filtered air		
Applicable medium	Compressed air		
Working pressure	0~0.8 MPa		
Temperature range	0°C~60°C		
Effective section area	12mm ² (CV=0.67)	16mm ² (CV=0.89)	16mm ² (CV=0.89)
Port size	G1/8	G1/4	G1/4

4. Overall and Dimension Sheet:

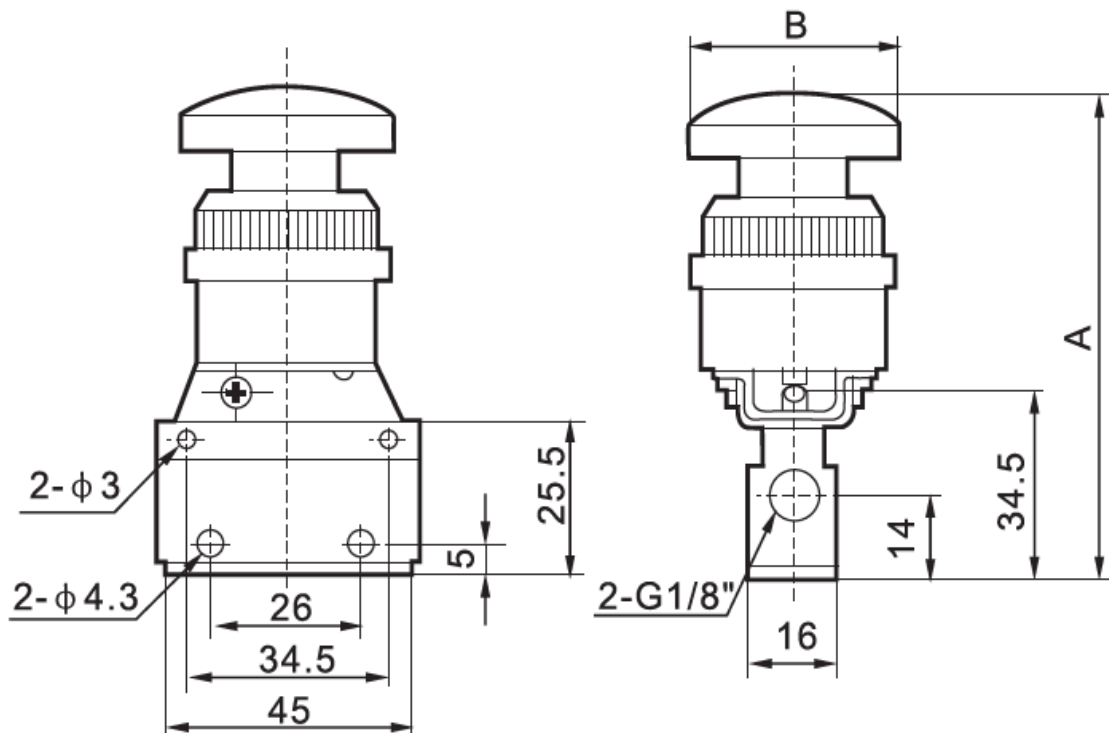
MSV86522



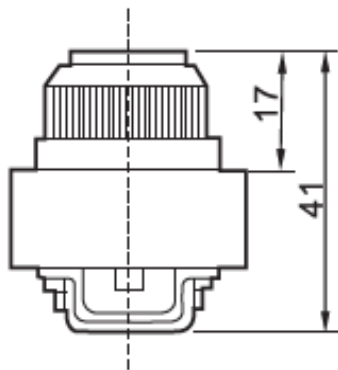
MSV98322



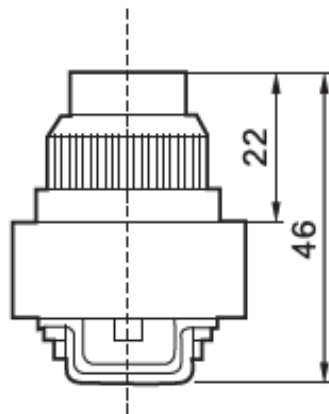
MSV86321



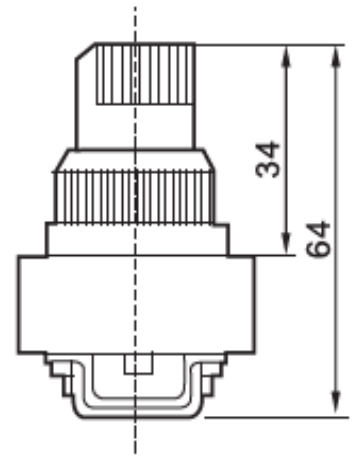
PP



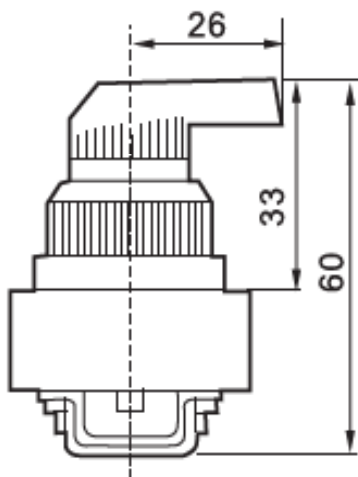
PPL



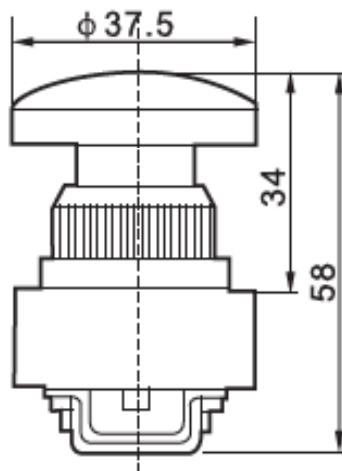
TB



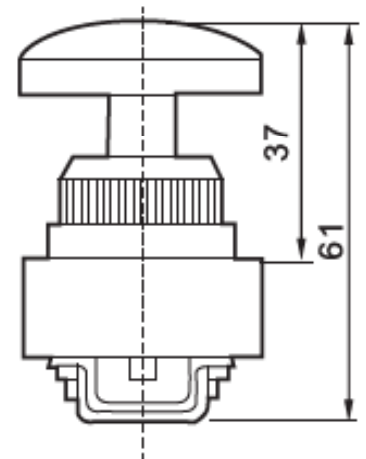
LB



PB



EB



R

