

JM Series Mechanical Valve:



JM-05



JM-06



JM-06A



JM-07

1. Ordering Code :



Valve type

JM: JM series mechanical valve

Button type

05: Selective knob

06: With lock button

06A: Flat round button

07: Roller type

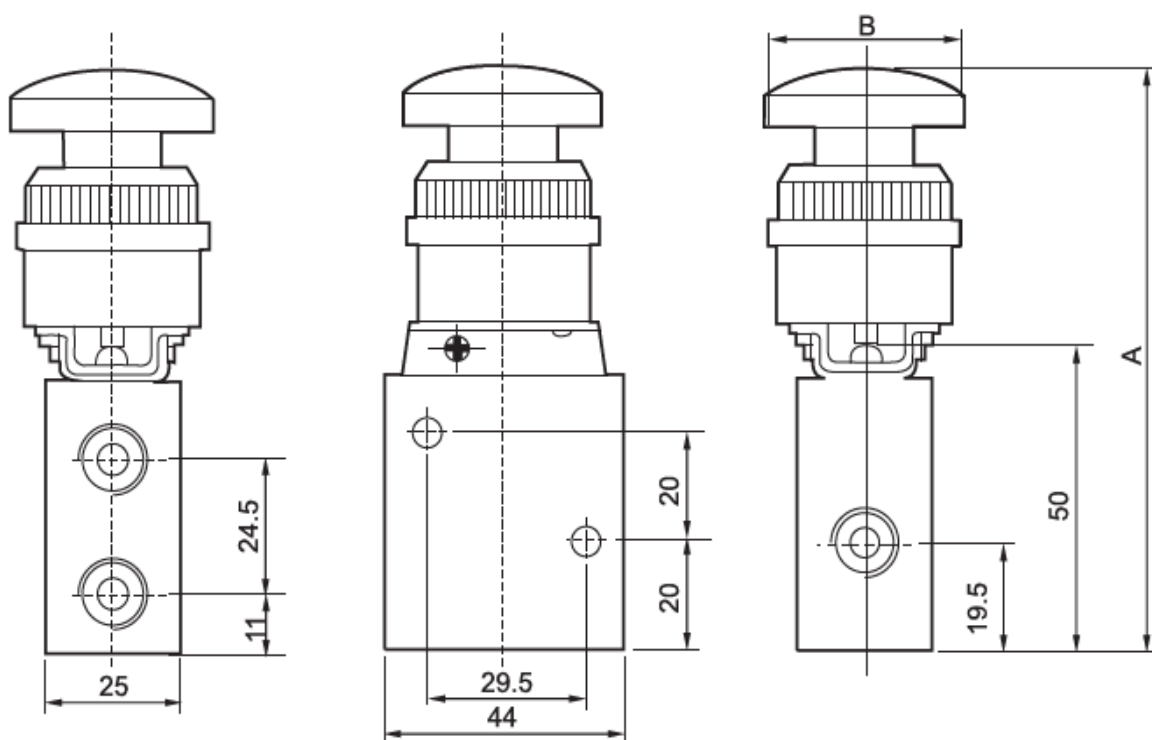
2.Characteristics:

- 1) The JM series mechanical valve is controlled by human or machine, to switch the direction of air flow.
- 2) The material of valve body: Aluminum alloy.
- 3) Different button types are available, like selective knob, lock button, flat round and roller.
- 4) Different thread types can be offered according to customers' requirements, e.g.: PT, NPT etc.

3. Specification:

Item	JM-05	JM-06	JM-06A	JM-07
Valve type	Two positions three ways			
Applicable medium	Compressed air			
Working pressure	0~0.8 MPa			
Temperature range	0°C~60°C			
Port size	G1/4			

4. Overall and Dimension Sheet:



Model	JM-05	JM-06	JM-06A	JM-07
A	114	111	96	84.5
B	36.5	39.5	39.5	42.5