

MOV Series Mechanical Valve:



MOV-01



MOV-02

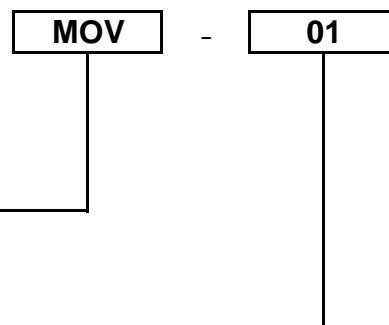


MOV-03



MOV-04

1. Ordering Code :



Valve type

MOV: MOV series mechanical valve

Button type

- 01: Selective knob
- 02: Roller type
- 03: With lock button
- 04: Plat round button

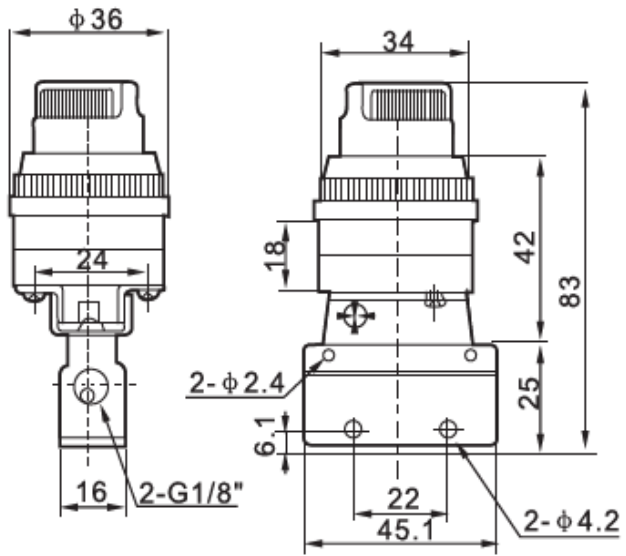
2.Characteristics:

- 1) The MOV series mechanical valve is controlled by human or machine, to switch the direction of air flow.
- 2) The material of valve body: Aluminum alloy.
- 3) Different button types are available, like selective knob, lock button, plat round and roller.
- 4) Different thread types can be offered according to customers' requirements, e.g.: PT, NPT etc.

3.Specification:

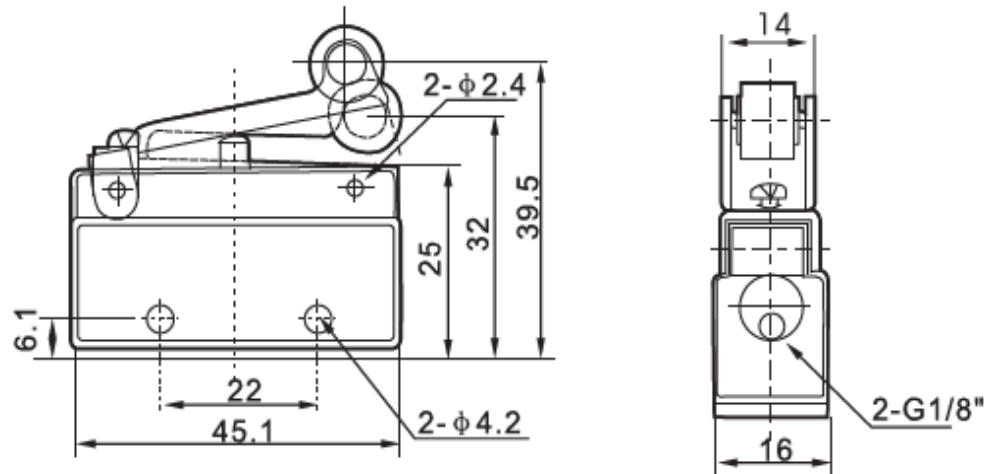
Item	MOV-01	MOV-02	MOV-03	MOV-04
Valve type	Two positions two ways			
Applicable medium	Compressed air			
Working pressure	0~0.8 MPa			
Temperature range	0°C~60°C			
Port size	G1/8			

4. Overall and Dimension Sheet:



MOV-01

MOV-02



MOV-03

MOV-04

