

XQ Series Quick Exhaust Valve:

1. Ordering Code :

XQ17 - **08**

Valve type

QE: QE series quick exhaust valve

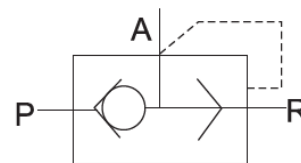
Port size

06: G1/8

08: G1/4

10: G3/8

15: G1/2



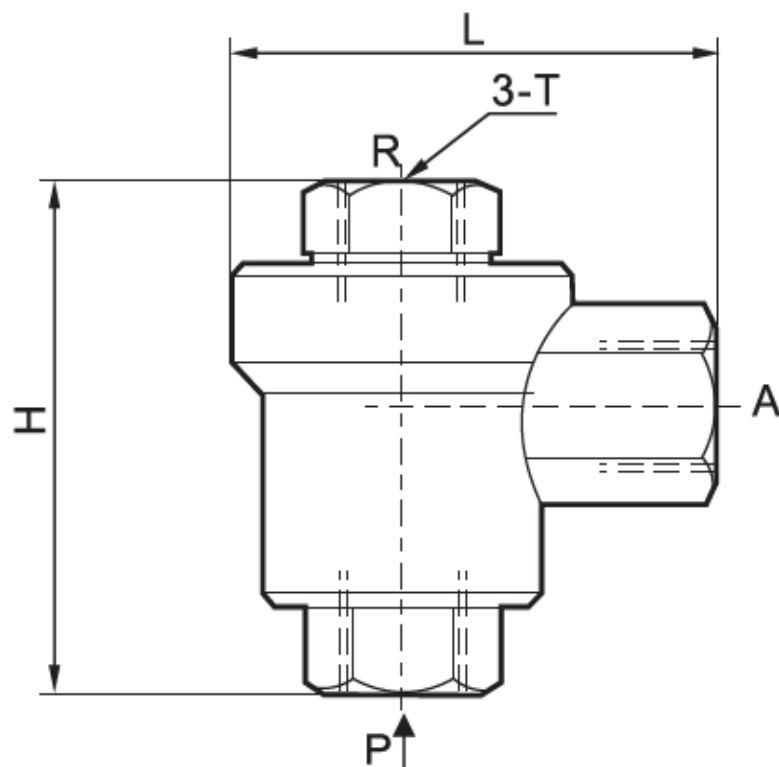
2.Characteristics:

- 1) The XQ series quick exhaust valve is generally installed on the pipeline between the cylinder and reversal valve and near cylinder, which directly discharge the air from cylinder without passing the reversal valve and thus to achieve the goal of fast reversion of cylinder
- 2) The effect on improving cylinder speed is especially obvious.
- 3) Different thread types can be offered according to customers' requirements, e.g.: PT, NPT etc.

3.Specification:

Item	XQ17-06	XQ17-08	XQ17-10	XQ17-15
Applicable medium	Compressed air			
Working pressure	0.12~1.0 MPa			
Temperature range	0°C~60°C			
Port size	G1/8	G1/4	G3/8	G1/2
Flow rate (m ³ /min)	≥0.9	≥0.9	≥2.5	≥4.5
Exchange time (s)	≤0.03	≤0.03	≤0.04	≤0.05

4. Overall and Dimension Sheet:



Model	T	H	L
XQ1706	G1/8	39	32
XQ1708	G1/4	51	45
XQ1710	G3/8	68	62
XQ1715	G1/2	77	86