

KLA Series Flow Control Check Valve:

1. Ordering Code :

KLA - **15**

Valve type

KLA: KLA series flow control valve

Port size

06: G1/8

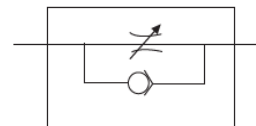
08: G1/4

10: G3/8

15: G1/2



KLA-15



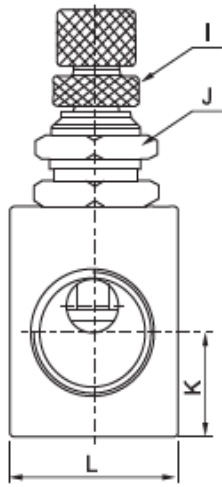
2.Characteristics:

- 1) The KLA series flow control valve is a type of check valve which regulates the flow or pressure of a fluid.
- 2) They normally respond to signals generated by independent devices such as flow meters or temperature gauges.
- 3) Different thread types can be offered according to customers' requirements, e.g.: PT, NPT etc.

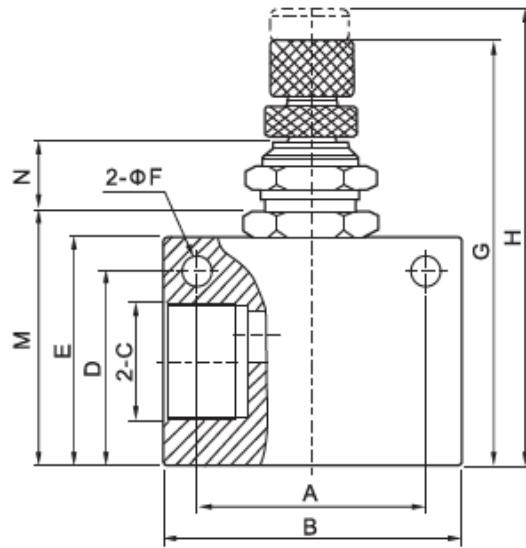
3.Specification:

Item		KLA-06	KLA-08	KLA-10	KLA-15
Applicable medium		Filtered compressed air			
Working pressure		0.5~0.95 MPa			
Proof pressure		1.5 MPa			
Temperature range		-5°C~60°C			
Port size		G1/8	G1/4	G3/8	G1/2
Material of body		Aluminum alloy			
Flow rate	Check valve	200 L/min	450 L/min	1250 L/min	1650 L/min
	One-way valve	400 L/min	800 L/min	1500 L/min	2000 L/min

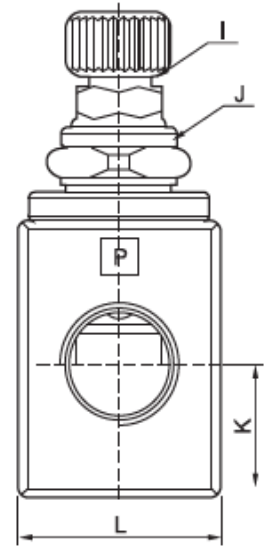
4. Overall and Dimension Sheet:



KLA-06

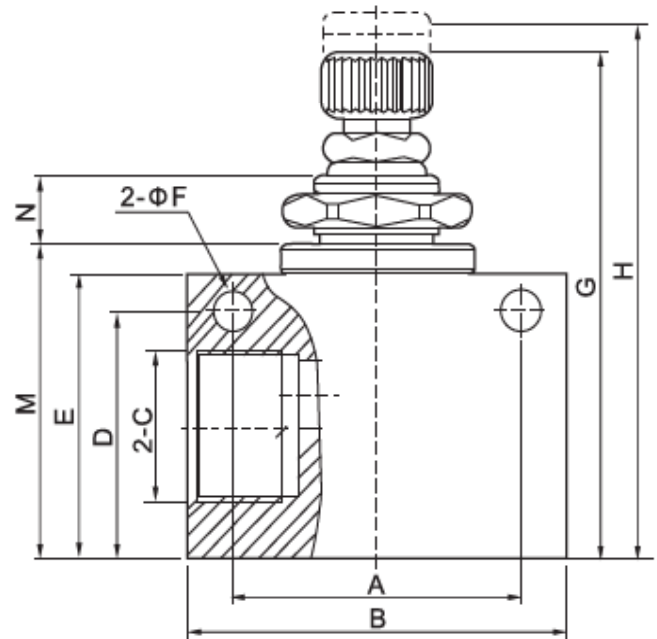
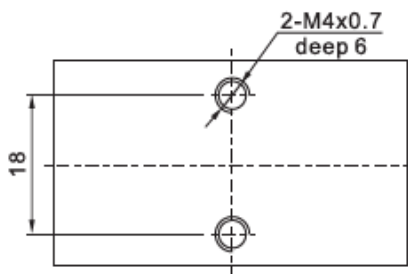


KLA-08



KLA-10

KLA-15



Model	A	B	C	D	E	F	G	H	I	J	K	L	M	N
KLA-06	22	32	PT1/8	18	23	4.3	46.8	52.3	M6×0.5	M12×0.75	10	18	26	8.6
KLA-08	26	36	PT1/4	23	27	4.3	50.8	56.3	M6×0.5	M12×0.75	13.5	18	30	8.6
KLA-10	35	50	G3/8	32	37	5.3	65	74	M8×0.75	M16×1	17.5	28	40.5	10.2
KLA-15	35	50	G1/2	32	37	5.3	65	74	M8×0.75	M16×1	17.5	28	40.5	10.2