

RE Series Flow Control Valve:

1. Ordering Code :

RE - 02

Valve type

RE: RE series flow control valve

Port size

01: G1/8

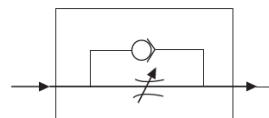
02: G1/4

03: G3/8

04: G1/2



RE-02



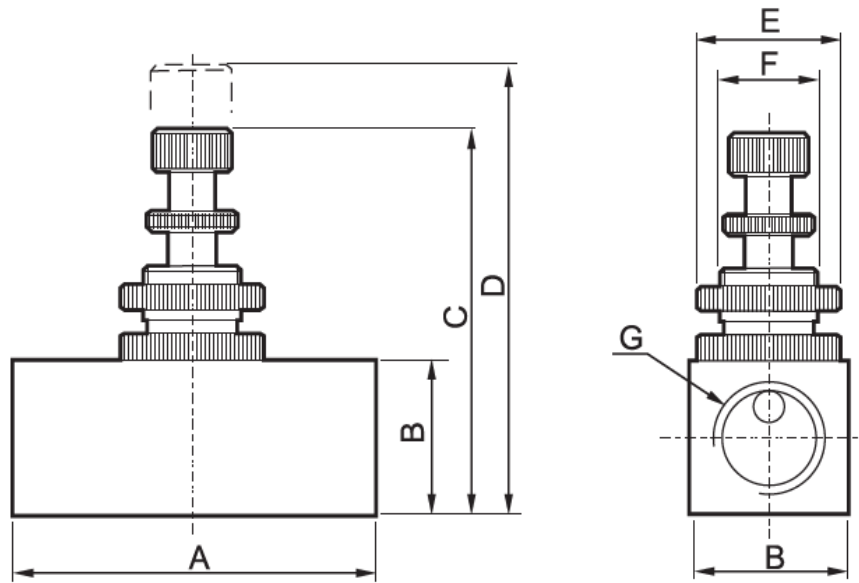
2.Characteristics:

- 1) The RE series flow control valve is a type of valve which regulates the flow or pressure of a fluid.
- 2) They normally respond to signals generated by independent devices such as flow meters or temperature gauges.
- 3) Different thread types can be offered according to customers' requirements, e.g.: PT, NPT etc.

3.Specification:

Item	RE-01	RE-02	RE-03	RE-04
Applicable medium	Filtered compressed air			
Working pressure	0~0.95 MPa			
Temperature range	0°C~60°C			
Port size	G1/8	G1/4	G3/8	G1/2

4. Overall and Dimension Sheet:



Model	A	B	C	D	E	F	G
RE-01	45	19	43	50	Φ19	M14×1	G1/8
RE-02	45	19	43	50	Φ19	M14×1	G1/4
RE-03	55	25	55	62	Φ25	M18×1	G3/8
RE-04	55	25	55	62	Φ25	M18×1	G1/2