

## 4R,3R Series Hand-draw Valve:

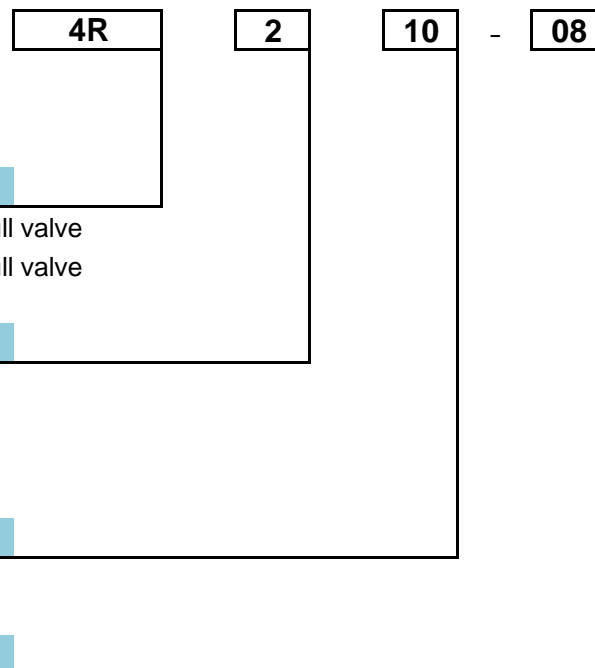


3R210-06



4R210-08

### 1. Ordering Code :



### 2.Characteristics:

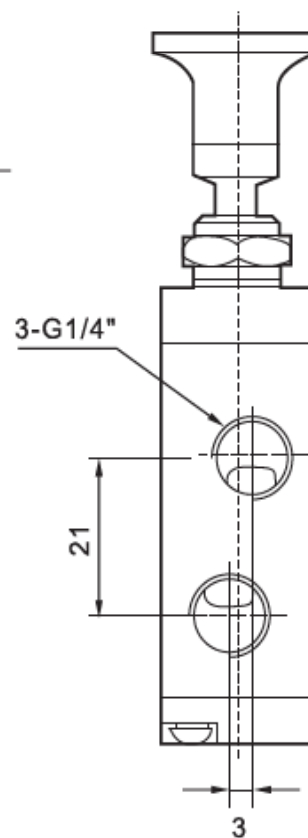
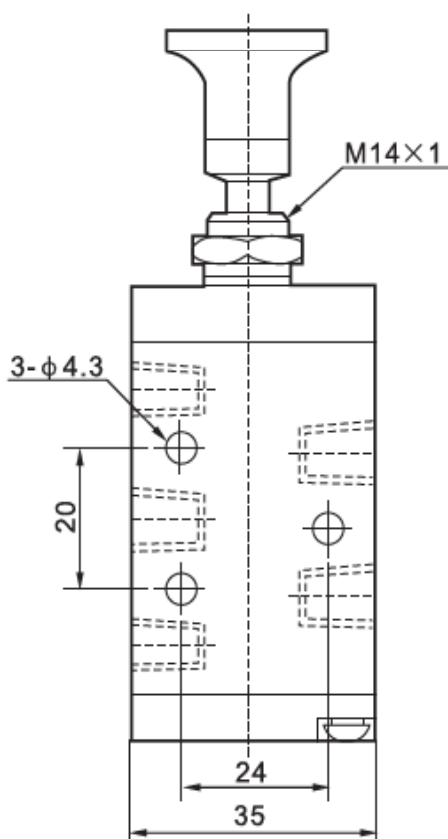
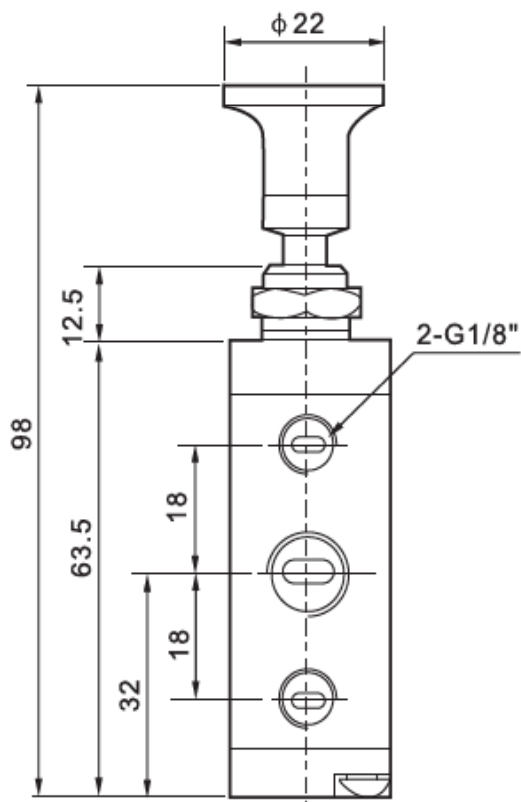
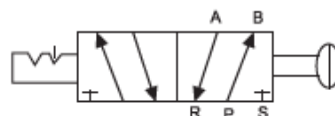
- 1) 4R Series hand-draw valve is with high response and stability nature.
- 2) Different thread types can be offered according to customers' requirements, e.g.: PT, NPT etc.
- 3) 5/2ways and 3/2ways are available.
- 4) Various working style is available.

## 3.Specification:

Item	4R210-06	4R210-08	4R310-10	4R410-15	3R210-06	3R210-08	3R310-10	3R410-15	
Applicable medium	≤40μ Filtered Air								
Motion pattern	Direct drive type								
Working pressure	0~1.0 MPa								
Proof Pressure	1.2MPa								
Temperature range	NBR: 0°C~60°C								
Port size	Inlet and outlet	G1/8	G1/4	G3/8	G1/2	G1/8	G1/4	G3/8	G1/2
	Exhaust port	G1/8	G1/8	G1/4	G1/2	G1/8	G1/4	G3/8	G1/2
Lubrication	Not required								

## 4. Overall and Dimension Sheet:

### 4R210-08



**3R210-08**

