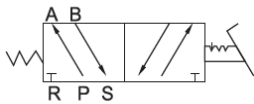


## 4F Series Foot Valve:



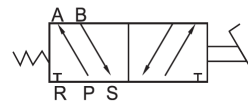
4F210-08L



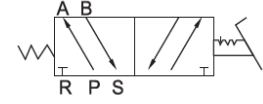
4F210-08



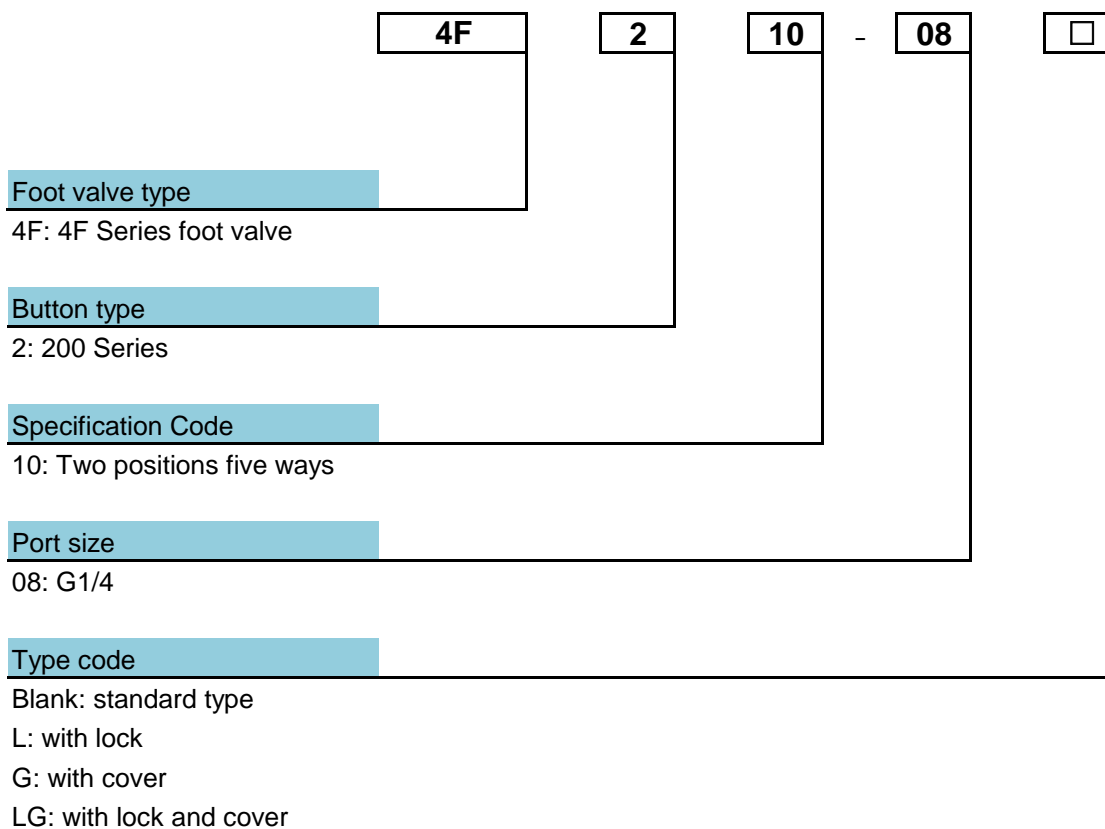
4F210-08G



4F210-08LG



### 1. Ordering Code :



### 2.Characteristics:

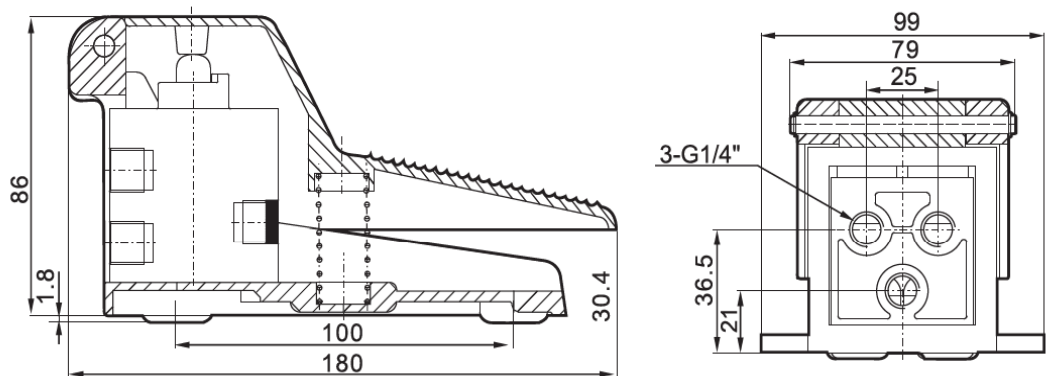
- 1) 4F Series foot valve is with high response and stability nature.
- 2) There are two motion pattern, single-head double-position and single-head three position
- 3) There are with lock and guard cover type available.
- 4) Various working style is available.

### 3. Specification:

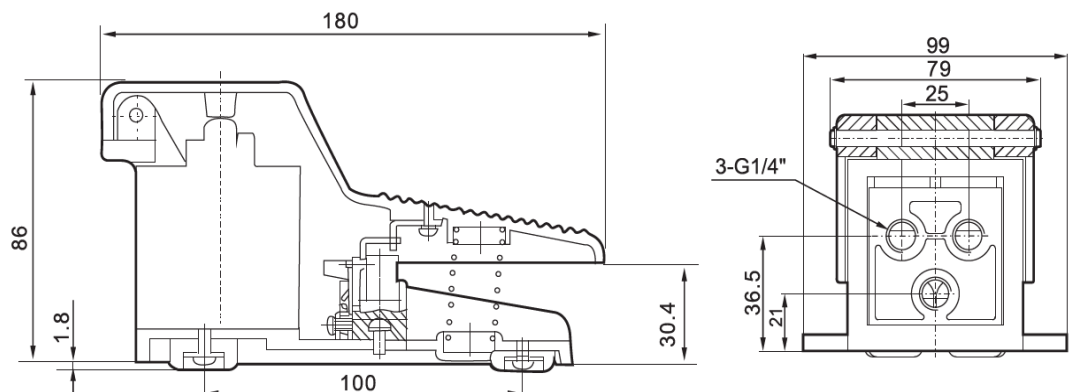
Item	4F210-08	4F210-08L	4F210-08G	4F210-08LG
Applicable medium	≤40μ Filtered Air			
Motion patten	Direct drive type			
Valve type	two positions five ways			
Working pressure	0.15~0.9MPa			
Proof Pressure	1.0MPa			
Temperature range	NBR: 0°C~60°C			
Port size	Inlet and outlet	G1/4		
	Exhaust port	G1/4		

### 4. Overall and Dimension Sheet:

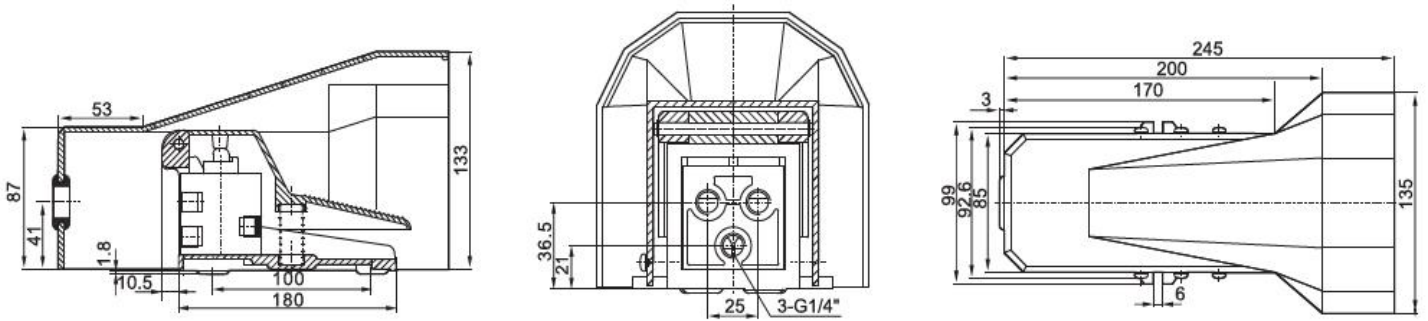
**4F210-08**



**4F210-08L**



**4F210-08G**



**4F210-08LG**

