

4M Series 2positions/5ways Plate Type Solenoid Valve:



1. Ordering Code :

4M - **2** - **10** - **08** - **AC220V**

Solenoid Valve Type

4M: Two positions Five ways plate type solenoid valve

Body size

2: 200 series(G1/8,G1/4)
3: 300 series(G1/4,G3/8)

Connecting port size

10: Single-head (single coil) for two positions
20: Double-head (double coils) for two positions

Connecting port size

06: G1/8 08: G1/4 M5: M5x0.8
10: G3/8 15: G1/2

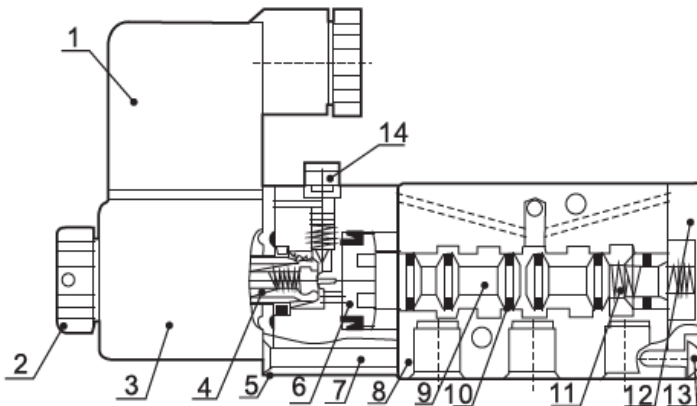
Voltage

DC5V DC12V DC24V AC24V 50/60Hz
AC110V 50/60Hz AC220V 50/60Hz AC380V 50/60Hz

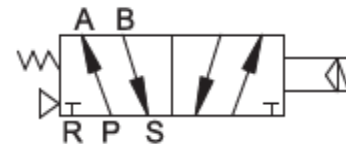
2.Characteristics:

- 1) The protection grade for this series solenoid valve is IP65.
- 2) Different voltages are available for coils.
- 3) Pressure unit: $1\text{kgf/cm}^2=1\text{bar}=0.1\text{MPa}=100\text{KPa}=14.5\text{psi}$
- 4) Lead wire type is available, please remind when you order.
- 5) Different thread types can be offered according to customers' requirements, e.g.: PT, NPT etc.

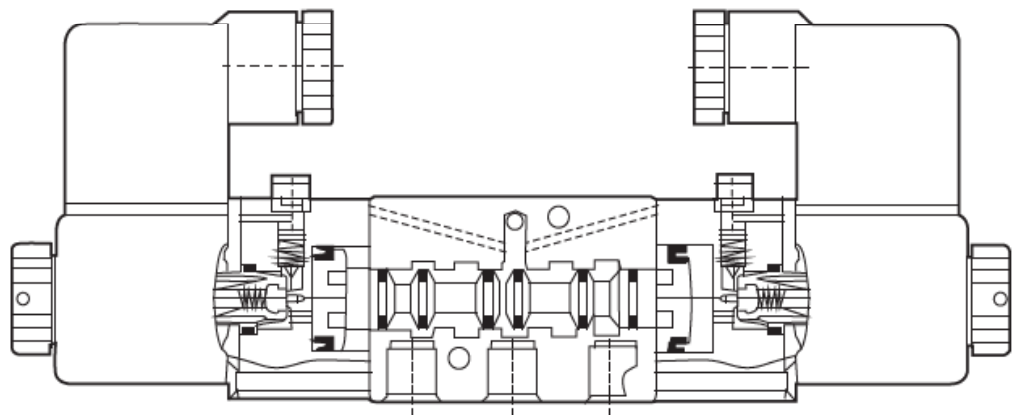
3.Internal Structure:



Single-Head Type
(4M210~4M310)



Double-Head Type
(4M220~4M320)



No.:	Designation	No.:	Designation	No.:	Designation
1.	Connector	6.	Piston	11.	Spring
2.	Nut	7.	Screw	12.	Rear cover
3.	Coil	8.	Valve body	13.	Screw
4.	Pilot units	9.	Spool	14.	Manual pin
5.	Plate	10.	O ring		

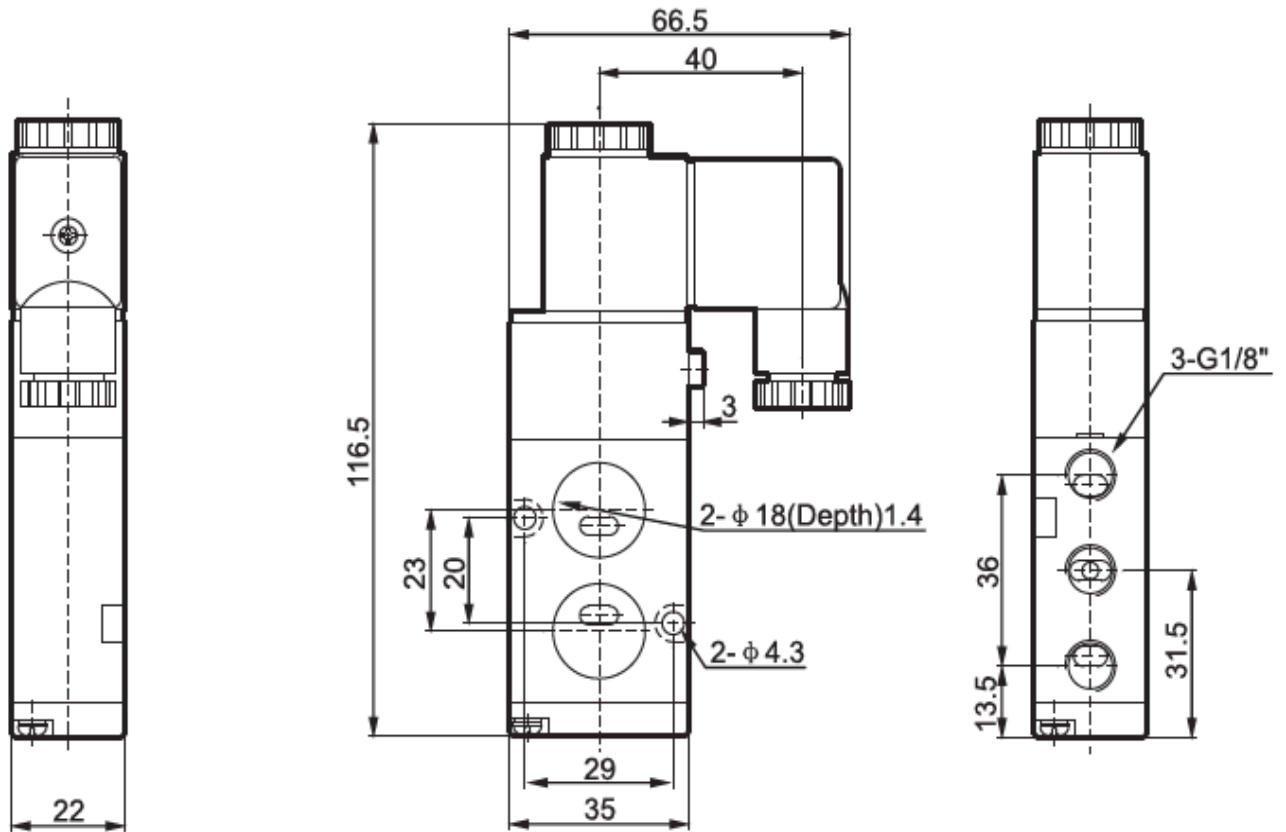
4.Specification:

Model	4M210-06	4M220-06	4M210-08	4M220-08	4M310-08	4M320-08	4M310-10	4M320-10
Applicable medium	≤40μ Filtered Air							
Motion pattern	Inner guide type							
Working pressure	0.15~0.8 MPa							
Proof Pressure	1.2MPa							
Temperature range	NBR: -10℃~60℃							
Port size	G1/8		G1/4		G1/4		G3/8	
Effective section area (mm ²)	14		16		25		30	
Cv Value	0.78		0.89		1.39		1.67	
Available Voltage	DC5, DC12V,DC24V,AC24V, AC110V,AC220V,AC380V							
Power consumption	AC220V:2W, AC110V:2.5W,AC24V:3.5W,DC24V:3W,DC12V:2.5W							
Voltage range	- 15%~+10%							
Material of body	Aluminum alloy							
Highest action frequency	5 cycles/second							
Shortest excitation time	0.05 s							
Sealing material	NBR or VITON							

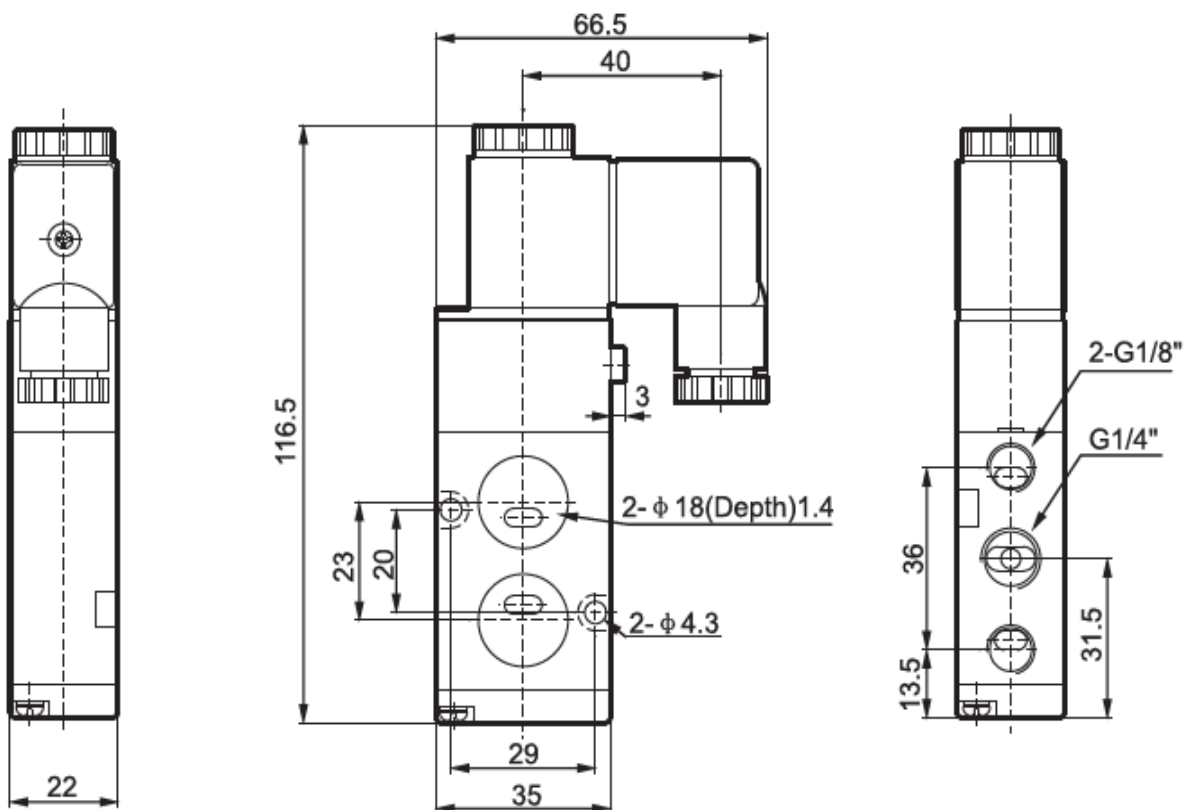
* 1 kgf/cm² = 1 bar = 0.1 Mpa = 100KPa = 14.5psi

5. Overall and Dimension Sheet:

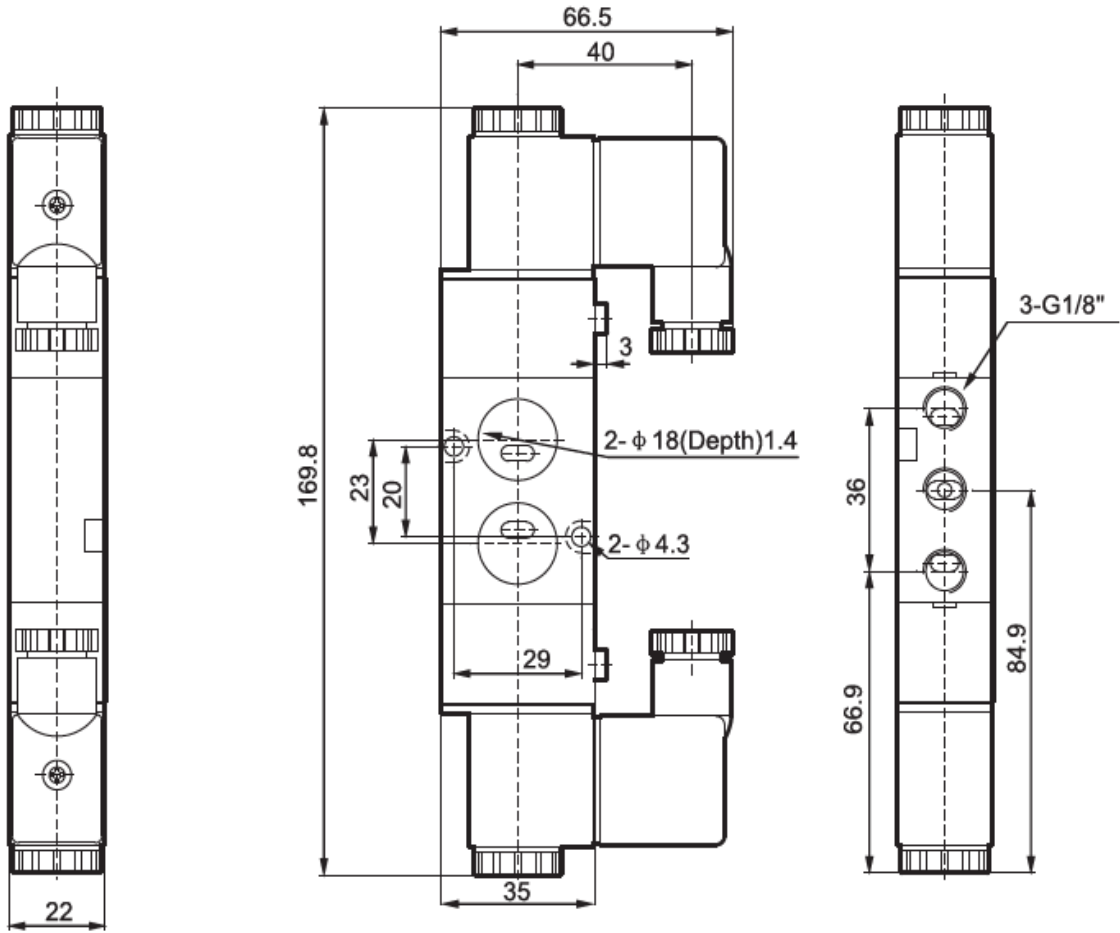
4M210-06



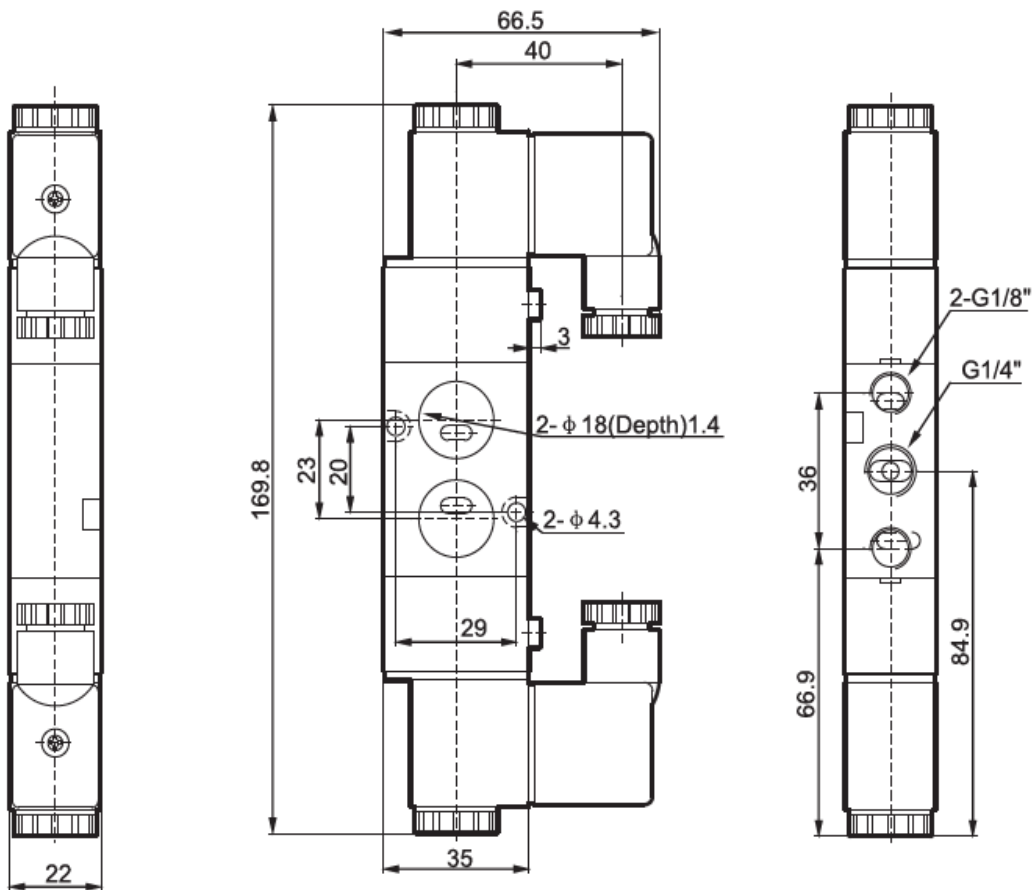
4M210-08



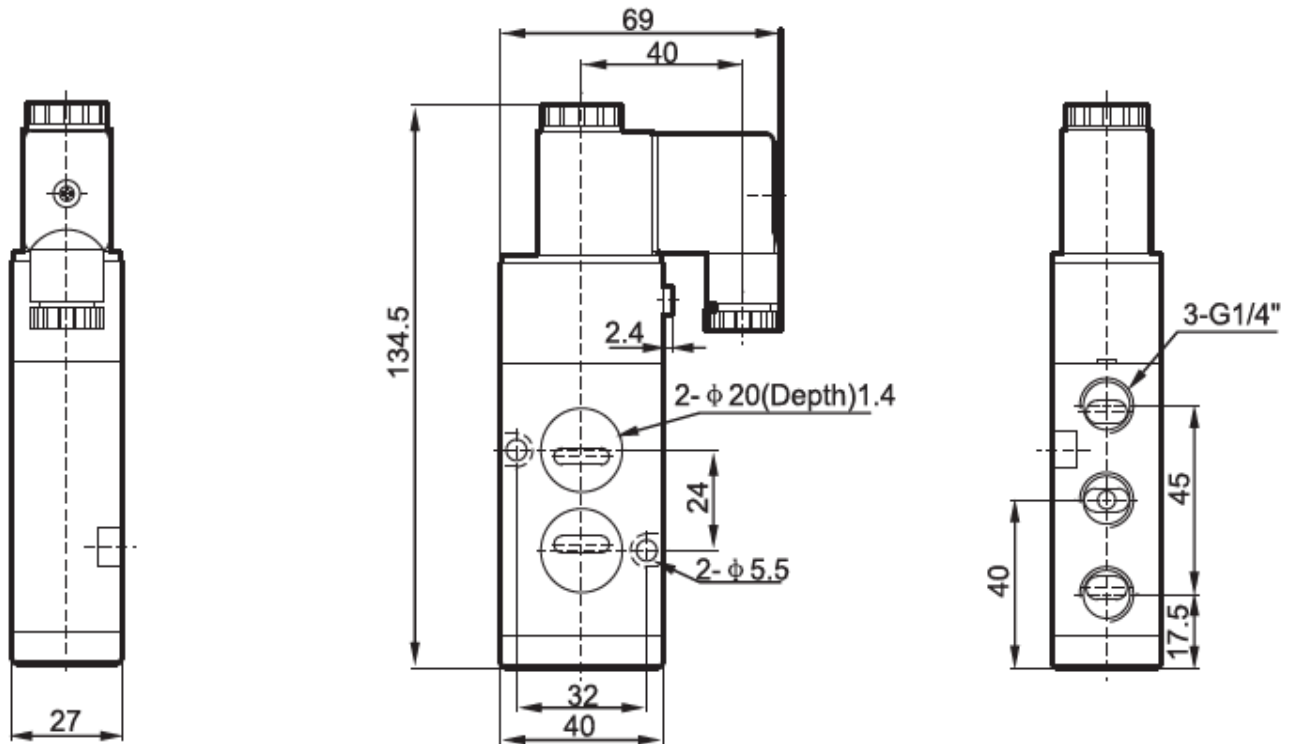
4M220-06



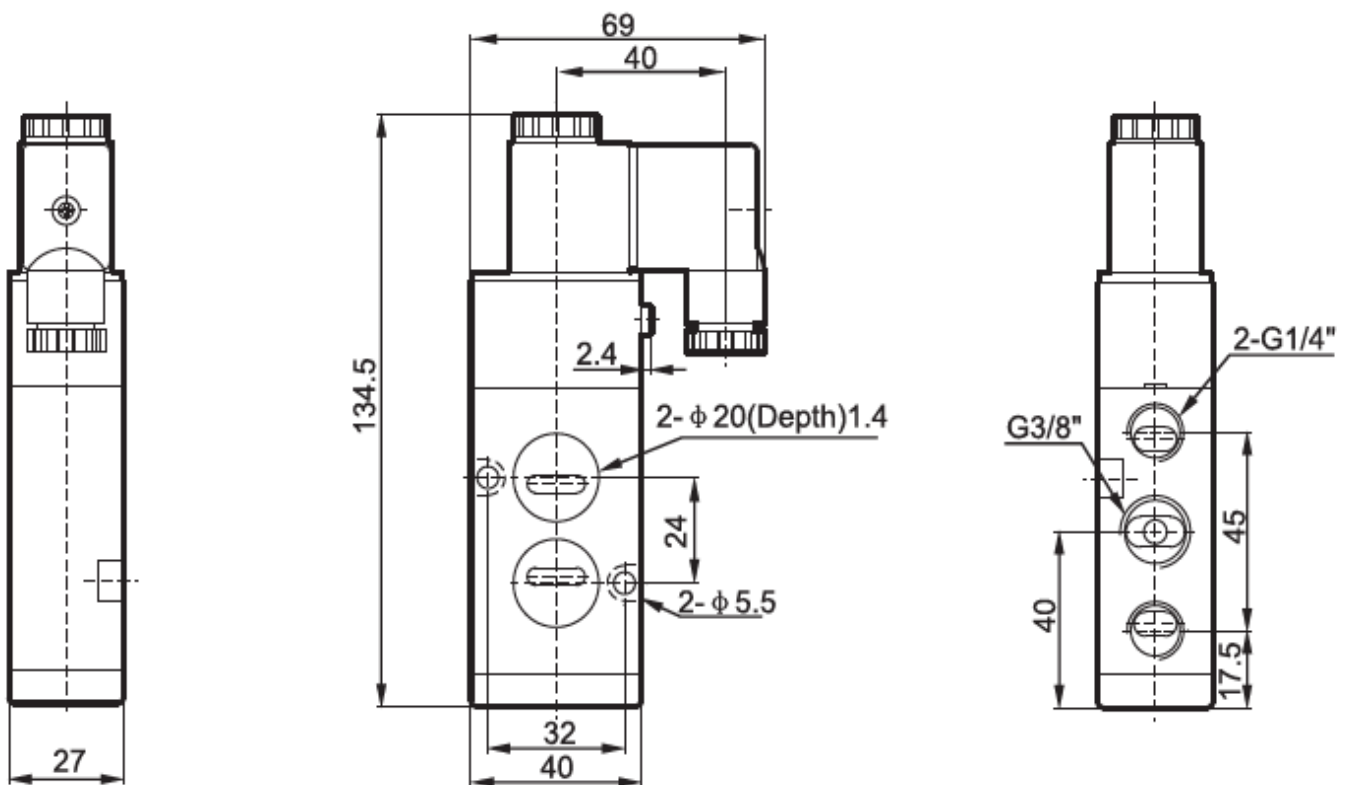
4M220-08



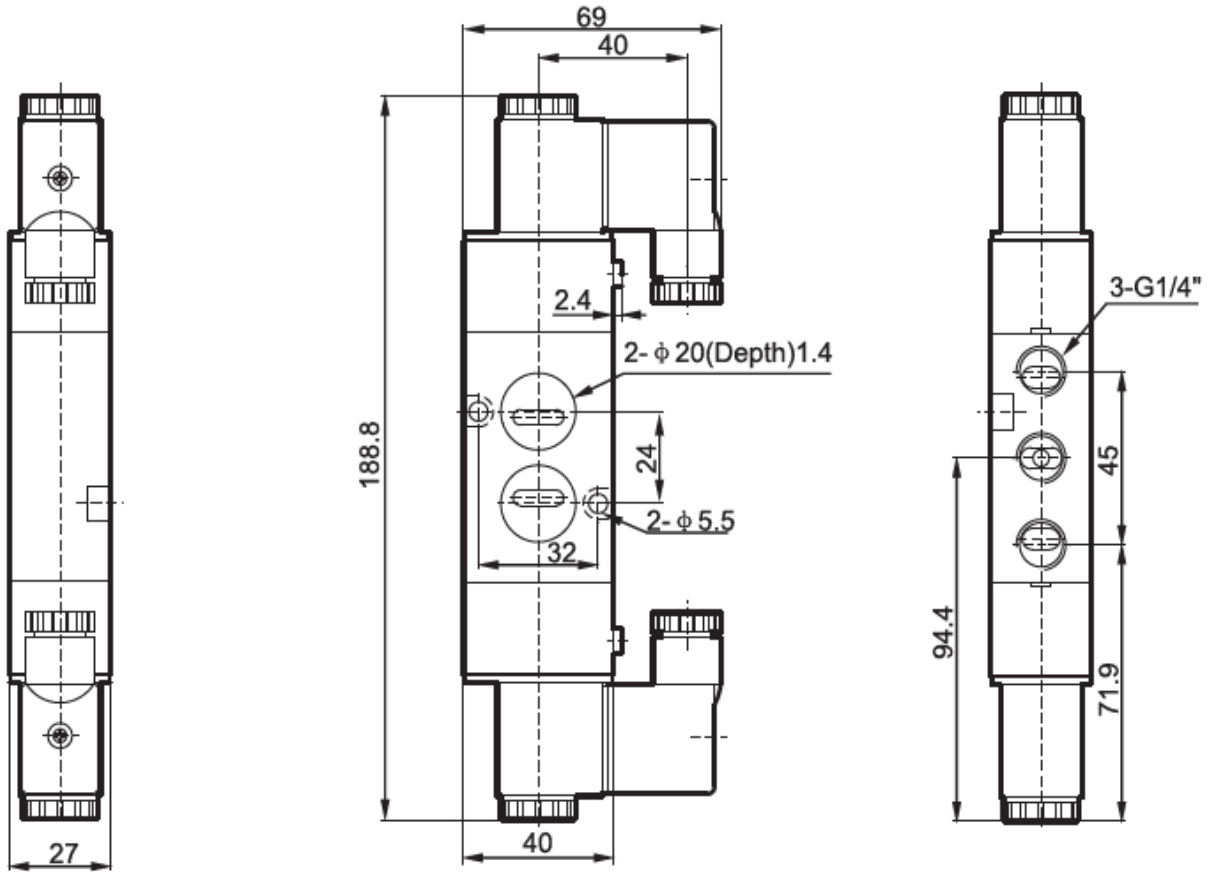
4M310-08



4M310-10



4M320-08



4M320-10

