

5VMP series Diaphragm Solenoid Valve:



5VMP-06



5VMP-08

1.Ordering Code :

5V

MP

- **06**

- **DC24V**

Solenoid Valve Type

5V: 2positions 4ways solenoid valve

Valve type

MP: Diaphragm valve

Connecting port size

06: G1/8

08: G1/4

15: G1/2

Voltage

DC12V

DC24V

2.Characteristics:

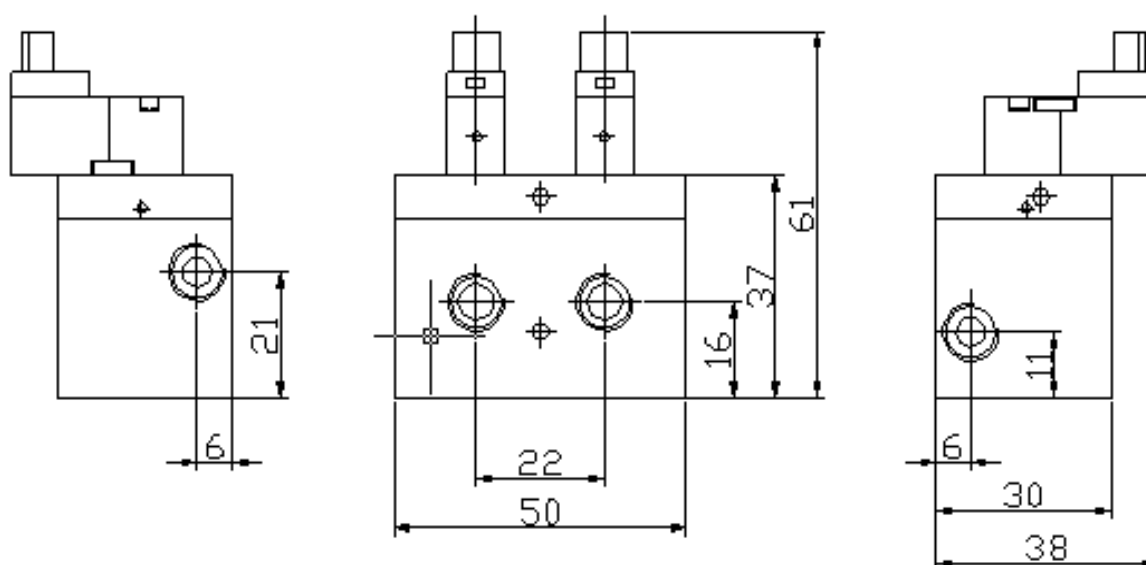
- 1) This 5V series diaphragm valves are with micro pilot head with longlife.
- 2) Sealing parts: Mitsubishi brand
- 3) Lubricating grease: Dowcorning 6169
- 4) Stem: With guide device
- 5) Low power consumption.
- 6) Pressure unit: $1\text{kgf/cm}^2=1\text{bar}=0.1\text{MPa}=100\text{KPa}=14.5\text{psi}$
- 7) Different thread types can be offered according to customers' requirements, e.g.: PT, NPT etc.

4.Specification:

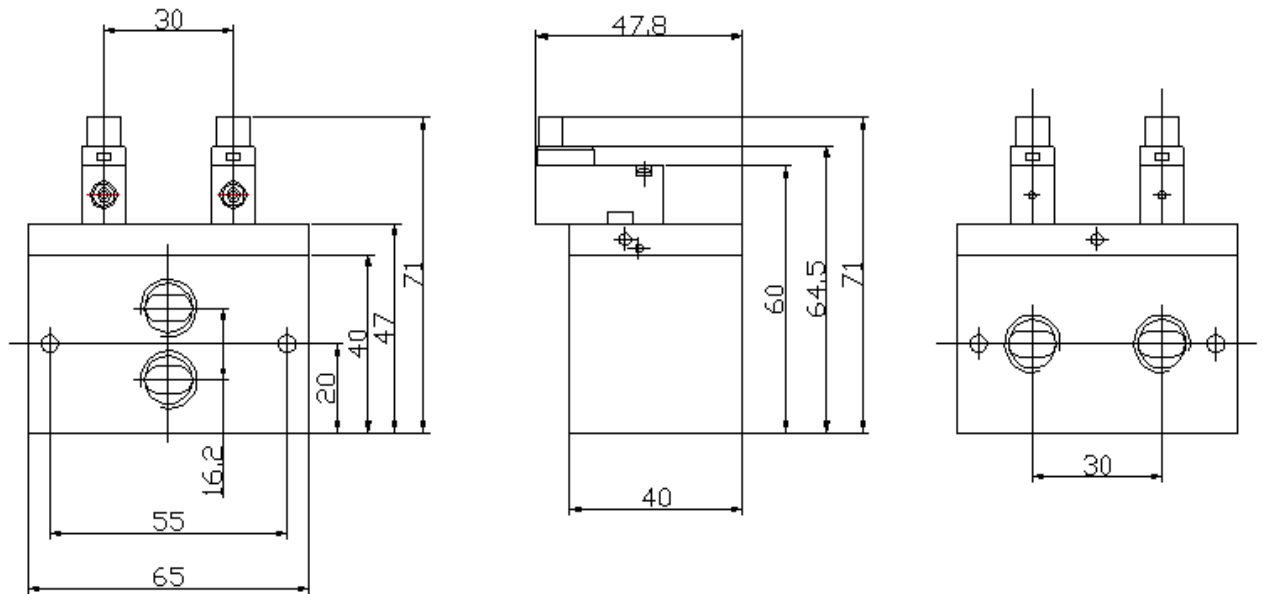
Model	5VMP-06	5VMP-08	5VMP-15
Applicable medium	5 μm Filtered Air		
Motion pattern	Pilot acting		
Valve type	2positions/4ways		
Working pressure	0.1~0.4 MPa		
Proof Pressure	0.5 MPa		
Temperature range	NBR: -15 $^{\circ}\text{C}$ ~80 $^{\circ}\text{C}$ (not frozen)		
Port size	G1/8	G1/4	G1/2
Available Voltage	DC12V,DC24V		
Power consumption	DC: 1.2W		
Voltage range	$\pm 15\%$		
Material of body	Aluminum alloy		
Min.excitation time	0.015 s		

5. Overall and Dimension Sheet:

5VMP-06



5VMP-08



5VMP-15D

