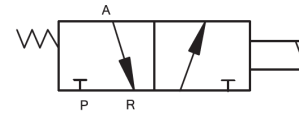


3V1 Series 2positions/3ways Solenoid Valve:



1.Ordering Code :

3V1 - **06** - - **DC24V**

Solenoid Valve Type

3V1: Two positions Three ways solenoid valve

Connecting port size

M5: M5x0.8 06: G1/8 08: G1/4

Connecting type

Blank: Thread connection type

B: Plate connection type

Voltage

DC5V AC24V 50/60Hz
 DC12V AC110V 50/60Hz
 DC24V AC220V 50/60Hz

2.Characteristics:

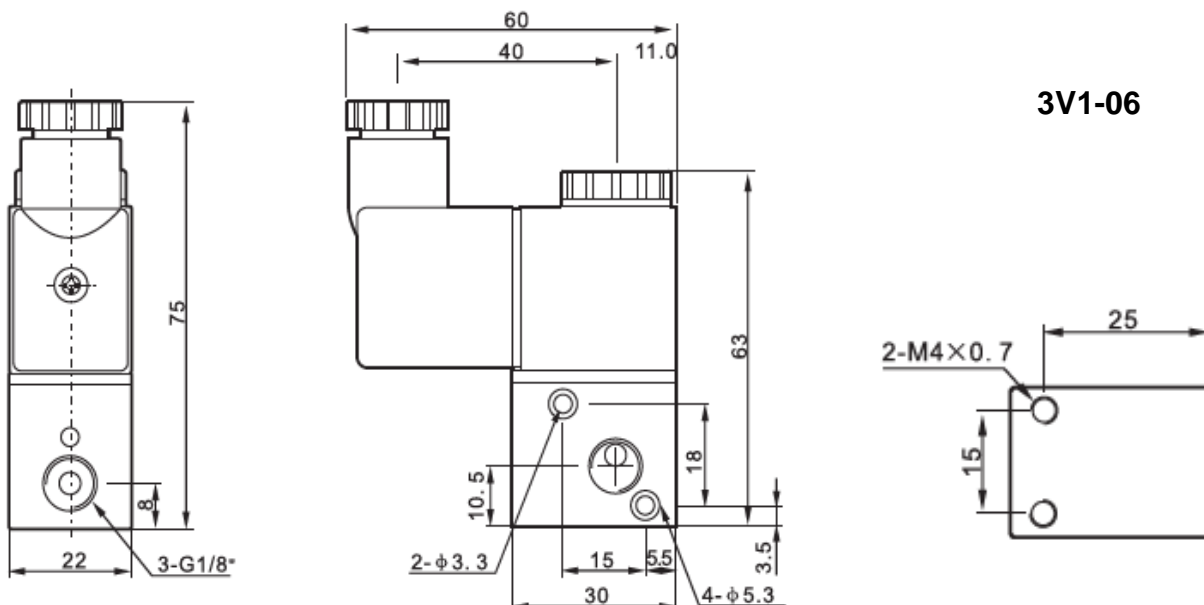
- 1) The protection grade for this series solenoid valve is IP65.
- 2) Different voltages are available for coils.
- 3) Pressure unit: 1kgf/cm²=1bar=0.1MPa=100KPa=14.5psi
- 4) Lead wire type is available, please remind when you order.
- 5) Different thread types can be offered according to customers' requirements, e.g.: PT, NPT etc.

4.Specification:

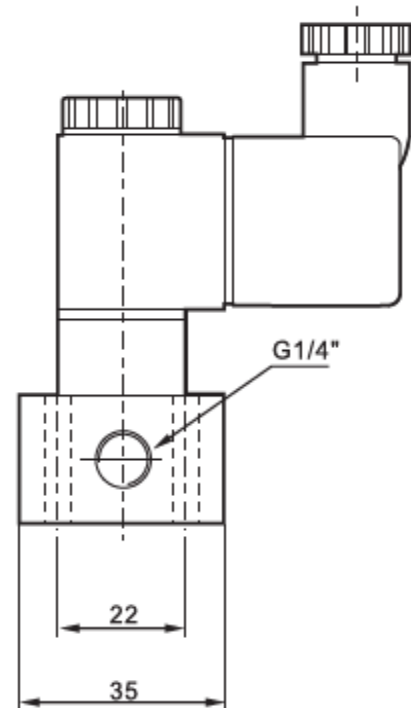
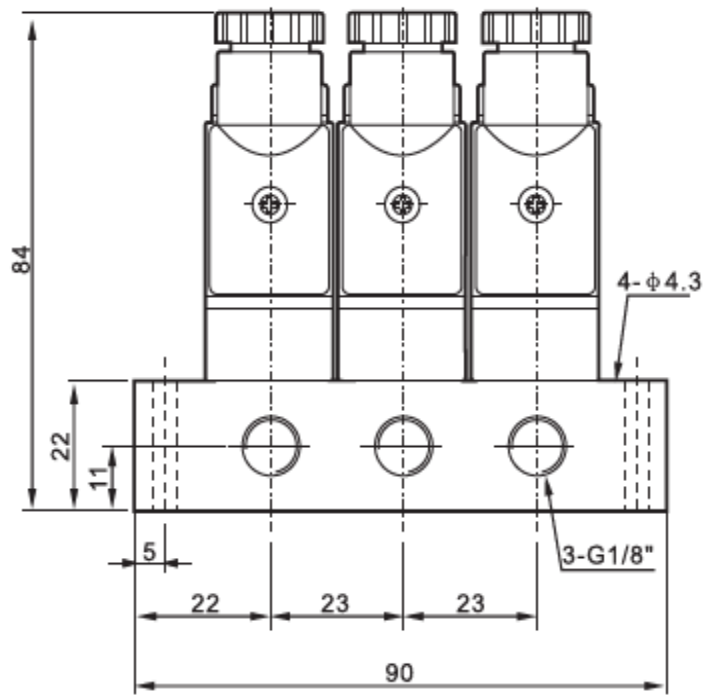
Model	3V1-M5	3V1-06	3V1-08
Applicable medium	≤40μ Filtered Air		
Motion pattern	Direct drive type		
Working pressure	0~0.8 MPa		
Proof Pressure	1.2MPa		
Temperature range	NBR: -10℃~60℃		
Orifice(mm)	1.2		
Port size	M5x0.8	G1/8	G1/4
IP grade	IP65		
Insulation grade	F		
Available Voltage	DC5, DC12V,DC24V,AC24V,AC36V,AC110V,AC220V,AC380V		
Power consumption	AC220V:2W, AC110V:2.5W,AC24V:3.5W,DC24V:3W,DC12V:2.5W		
Voltage range	±10%		
Material of body	Aluminum alloy		
Highest action frequency	10 cycles/second		
Shortest excitation time	0.05 s		
Sealing material	NBR or VITON		

* 1 kgf/cm² = 1 bar = 0.1 Mpa = 100KPa = 14.5psi

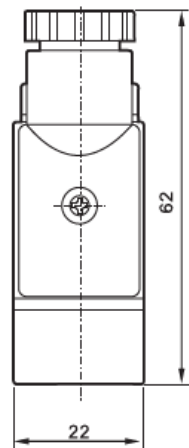
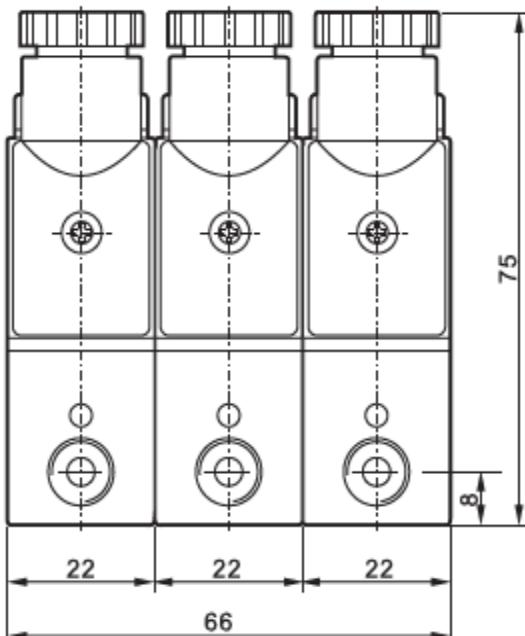
5. Overall and Dimension Sheet:



3V1-06B-3F



3V1-06-3F



3V1-06B

