

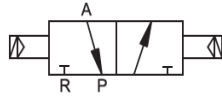
5V3120,5V3220,5V5120,5V5220 Series Solenoid Valve:



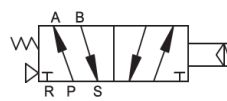
5V3120-M5



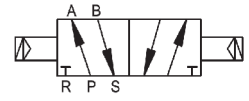
5V3220-M5



5V5120-06



5V5220-06



1.Ordering Code :

5V	3	120	-	M5	-	DC24V
Solenoid Valve Type						
5V: Two positions five ways solenoid valve						
Body size						
3: 300 series(M5)						
5: 500 series(G1/8)						
Coil and position						
120: Single-head (single coil) for two positions						
220: Double-head (double coils) for two positions						
Connecting port size						
M5: M5x0.8						
06: G1/8						
08: G1/4						
Voltage						
DC12V						
DC24V						
AC110V 50/60Hz						
AC220V 50/60Hz						

2.Characteristics:

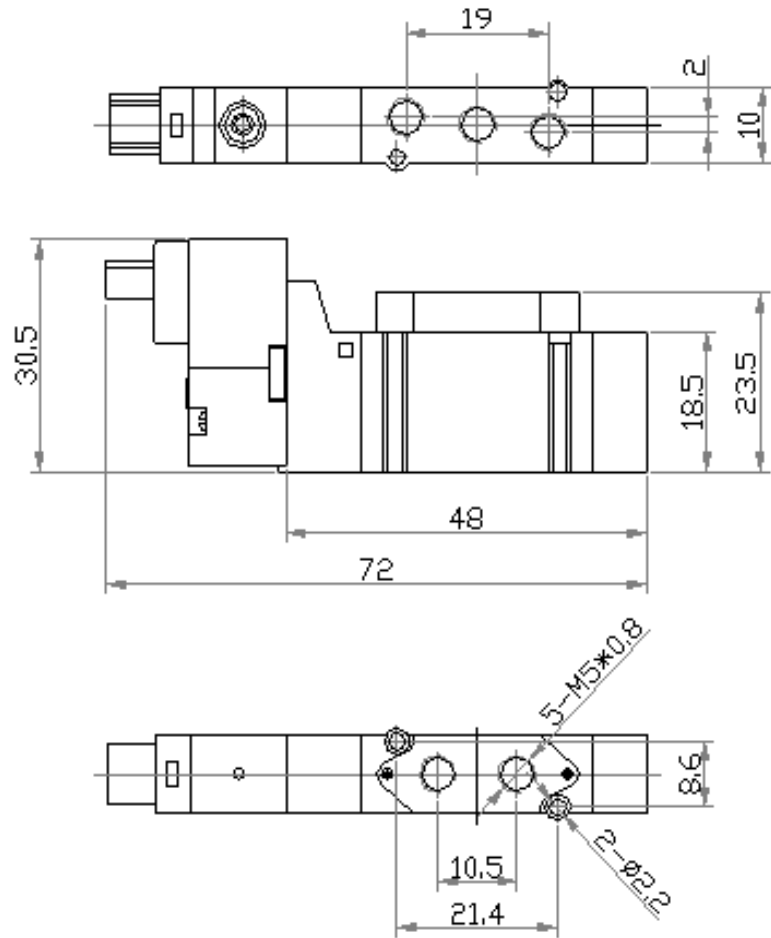
- 1) This 5V series solenoid valves are with micro pilot head with longlife.
- 2) Sealing parts: Mitsubishi brand
- 3) Lubricating grease: Dowcorning 6169
- 4) Stem: With guide device
- 5) Low power consumption.
- 6) Pressure unit: $1\text{kgf/cm}^2=1\text{bar}=0.1\text{MPa}=100\text{KPa}=14.5\text{psi}$
- 7) Different thread types can be offered according to customers' requirements, e.g.: PT, NPT etc.

4.Specification:

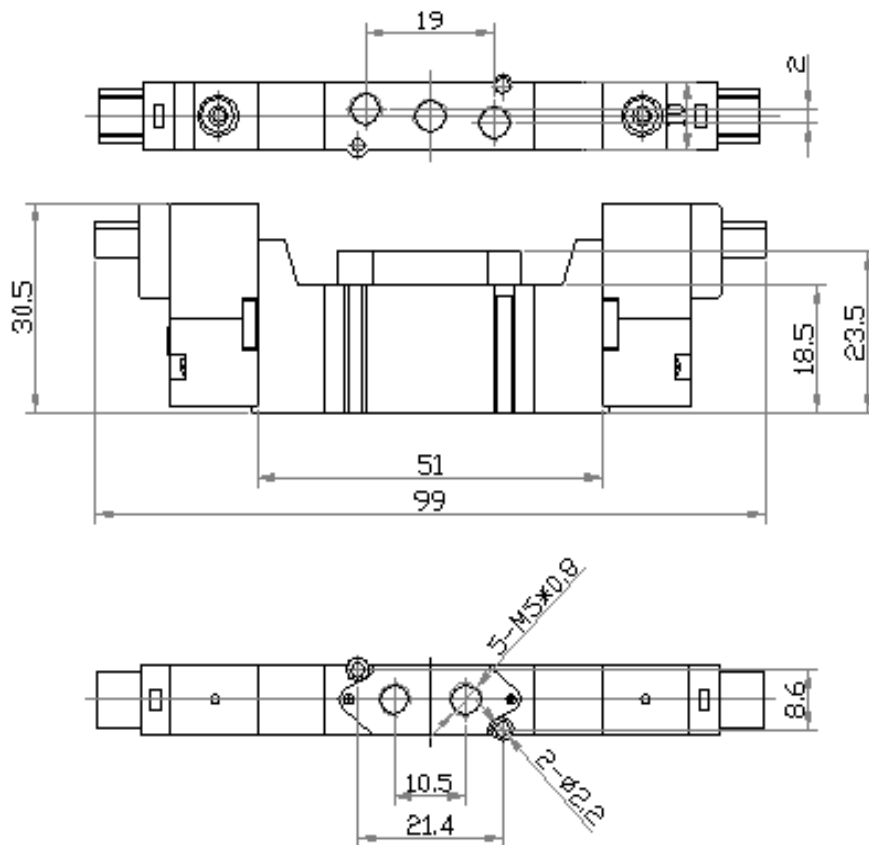
Model	5V3120-M5	5V3220-M5	5V5120-06	5V5220-06
Applicable medium	5 μ m Filtered Air			
Motion pattern	Pilot acting			
Valve type	2position/5way			
Working pressure	0.15~0.7 MPa			
Proof Pressure	0.8 MPa			
Temperature range	NBR: -10 $^{\circ}$ C ~60 $^{\circ}$ C			
Port size	M5x0.8		G1/8	
Cv Value	0.26	0.26	0.66	0.66
Available Voltage	DC12V,DC24V,AC110V,AC220V			
Power consumption	AC: 1.2W DC: 1.2W			
Voltage range	$\pm 15\%$			
Working life time	$\geq 30,000,000$			
Material of body	Aluminum alloy			
Min.excitation time	0.015 s			
Max.working frequency	10 cycles/second			

5. Overall and Dimension Sheet:

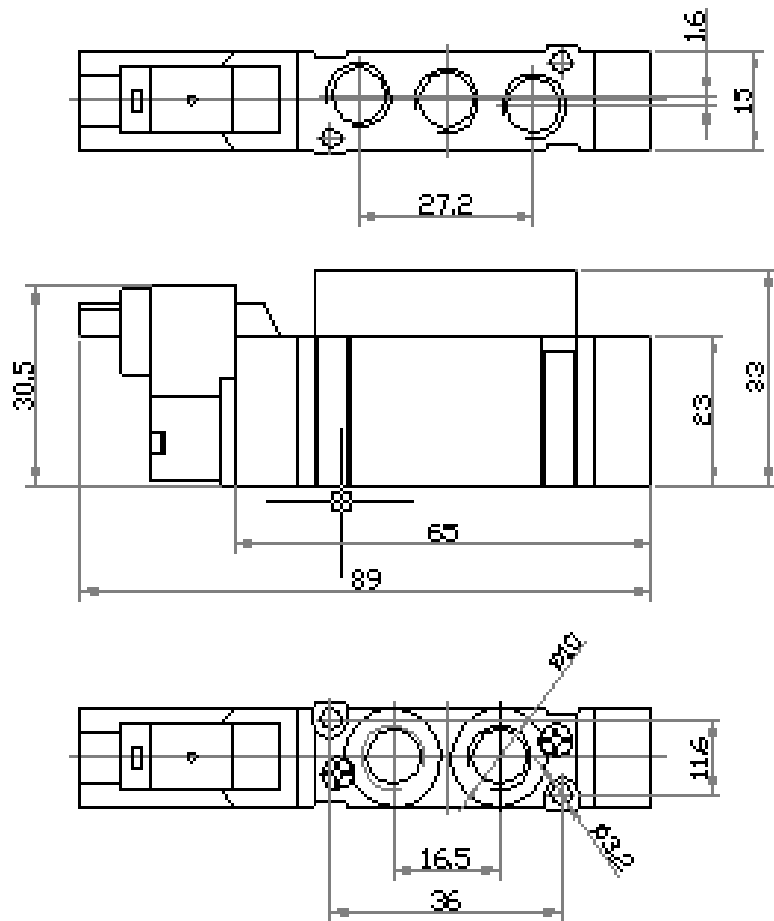
5V3120-M5



5V3220-M5



5V5120-06



5V5220-06

