

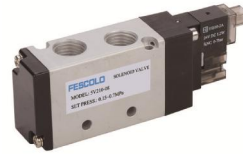
5V Series 2positions3ways or 2positions5ways Solenoid Valve:



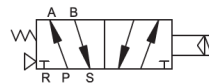
5V110-06



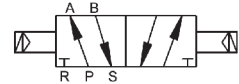
5V120-06



5V210-08



5V220-08



1.Ordering Code :

5V	2	10	-	08	-	DC24V	-	<input type="checkbox"/>
Solenoid Valve Type								
5V: Two positions five ways or Two positions three ways solenoid valve								
Body size								
1: 100 series(M5, G1/8)								
2: 200 series(G1/8,G1/4)								
Coil and position								
10: Single-head (single coil) for two positions								
20: Double-head (double coils) for two positions								
30C: Double-head (double coils) center close type for three positions								
30E: Double-head (double coils) center exhaust type for three positions								
30P: Double-head (double coils) center pressure type for three positions								
Connecting port size								
M5: M5x0.8								
06: G1/8								
08: G1/4								
Voltage								
DC12V								
DC24V								
AC110V 50/60Hz								
AC220V 50/60Hz								
AC380V 50/60Hz								
Normal close or Normal open								
Blank: Normal close								
NO: Normal open								

2.Characteristics:

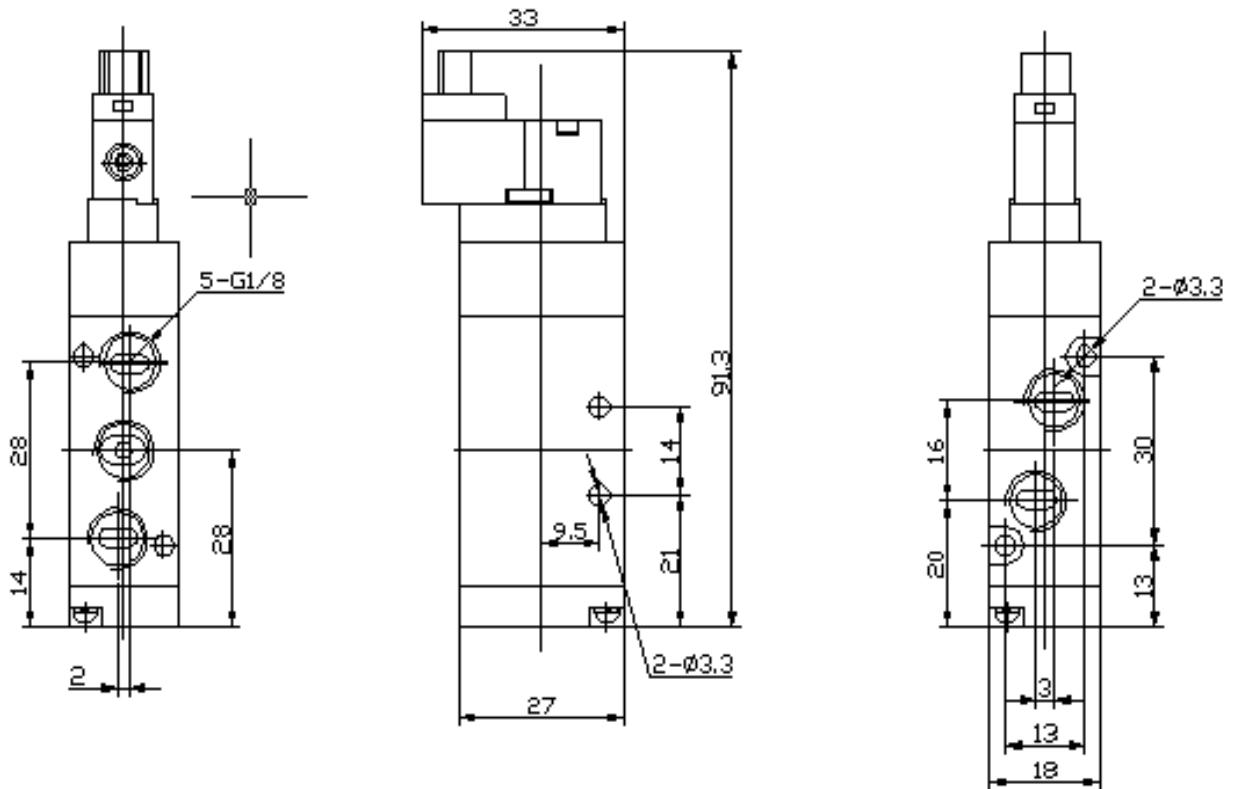
- 1) This 5V series solenoid valves are with micro pilot head with longlife.
- 2) Sealing parts: Mitsubishi brand
- 3) Lubricating grease: Dowcorning 6169
- 4) Stem: With guide device
- 5) Low power consumption.
- 6) Pressure unit: $1\text{kgf/cm}^2=1\text{bar}=0.1\text{MPa}=100\text{KPa}=14.5\text{psi}$
- 7) Different thread types can be offered according to customers' requirements, e.g.: PT, NPT etc.

4.Specification:

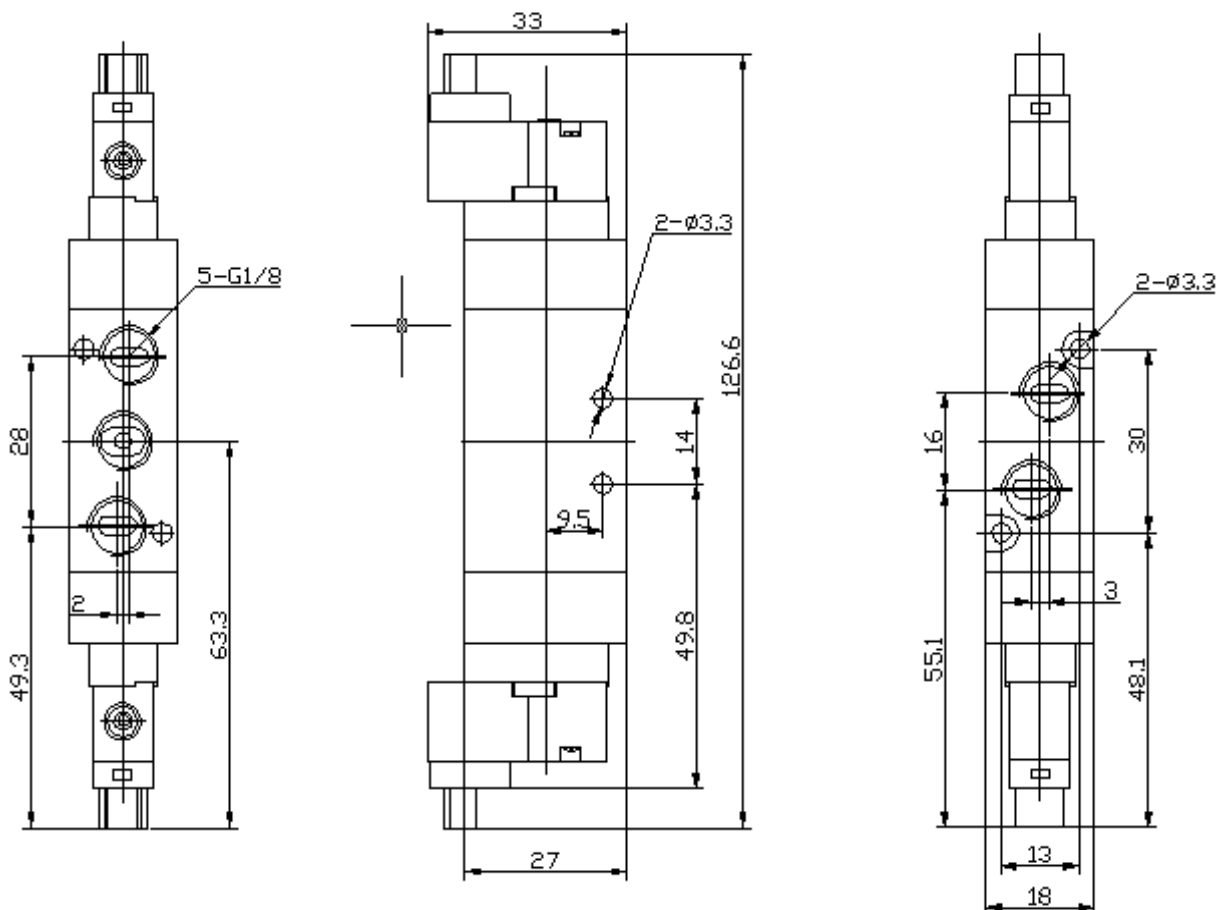
Model	5V110-06-NO	5V110-06	5V120-06	5V130-06	5V210-06-NO	5V210-08	5V220-08	5V230-08
Applicable medium	5 μ m Filtered Air							
Motion pattern	Pilot acting							
Valve type	2position/3way	2position/5way	3/5ways	2position/3way	2position/5way	3/5ways		
Normal open or close	Normal open				Normal open			
Working pressure	0.15~0.7 MPa							
Proof Pressure	0.8 MPa							
Temperature range	NBR: -10 $^{\circ}$ C~60 $^{\circ}$ C							
Port size	G1/8					G1/4		
Cv Value	0.67		0.5	0.89		0.67		
Available Voltage	DC12V,DC24V,AC110V,AC220V,AC380V							
Power consumption	AC: 1.2W DC: 1.2W							
Voltage range	$\pm 15\%$							
Working life time	$\geq 30,000,000$							
Material of body	Aluminum alloy							
Min.excitation time	0.015 s							
Max.working frequency	10 cycles/second							

5. Overall and Dimension Sheet:

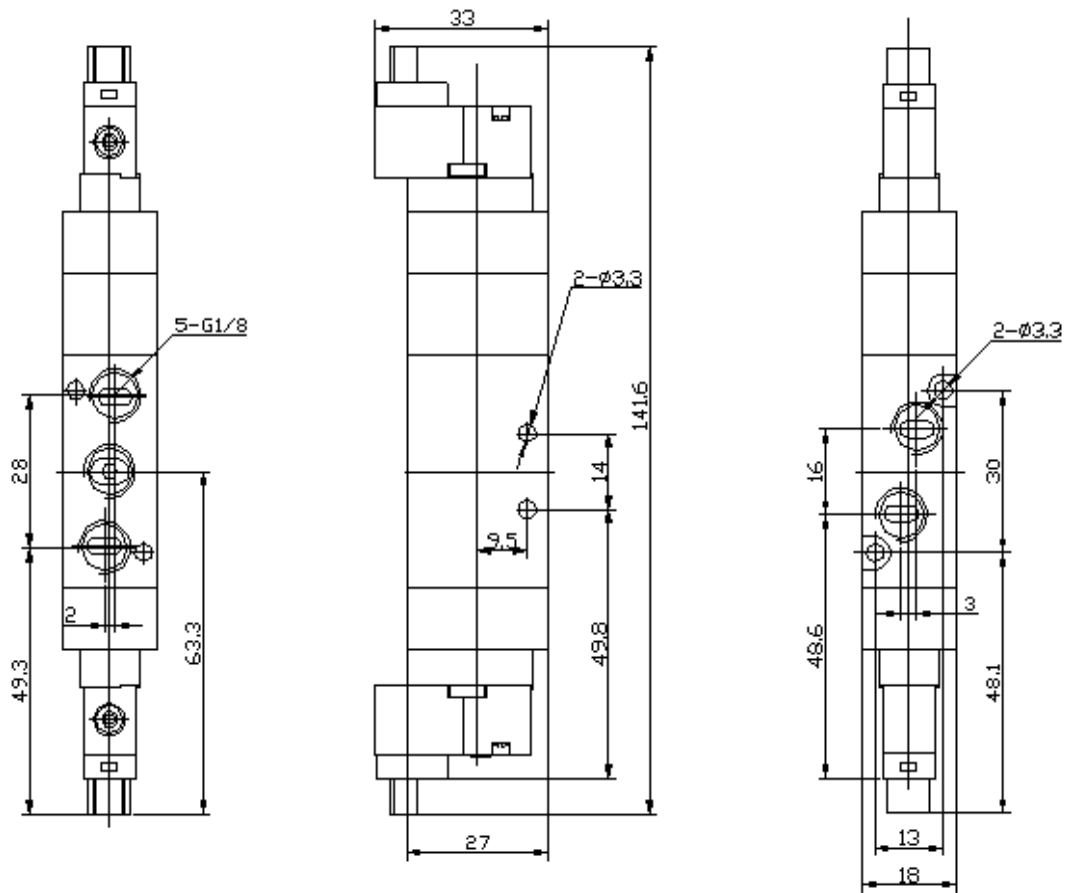
5V110-06



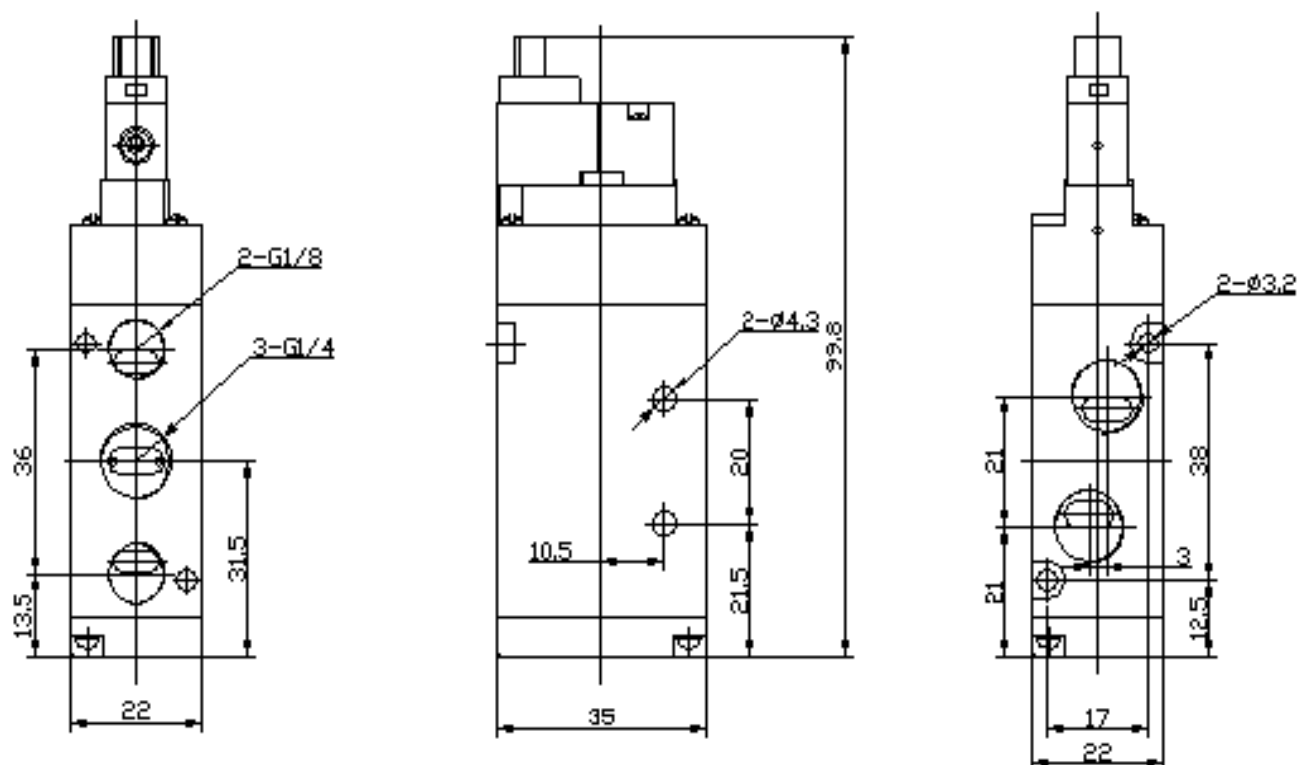
5V120-06



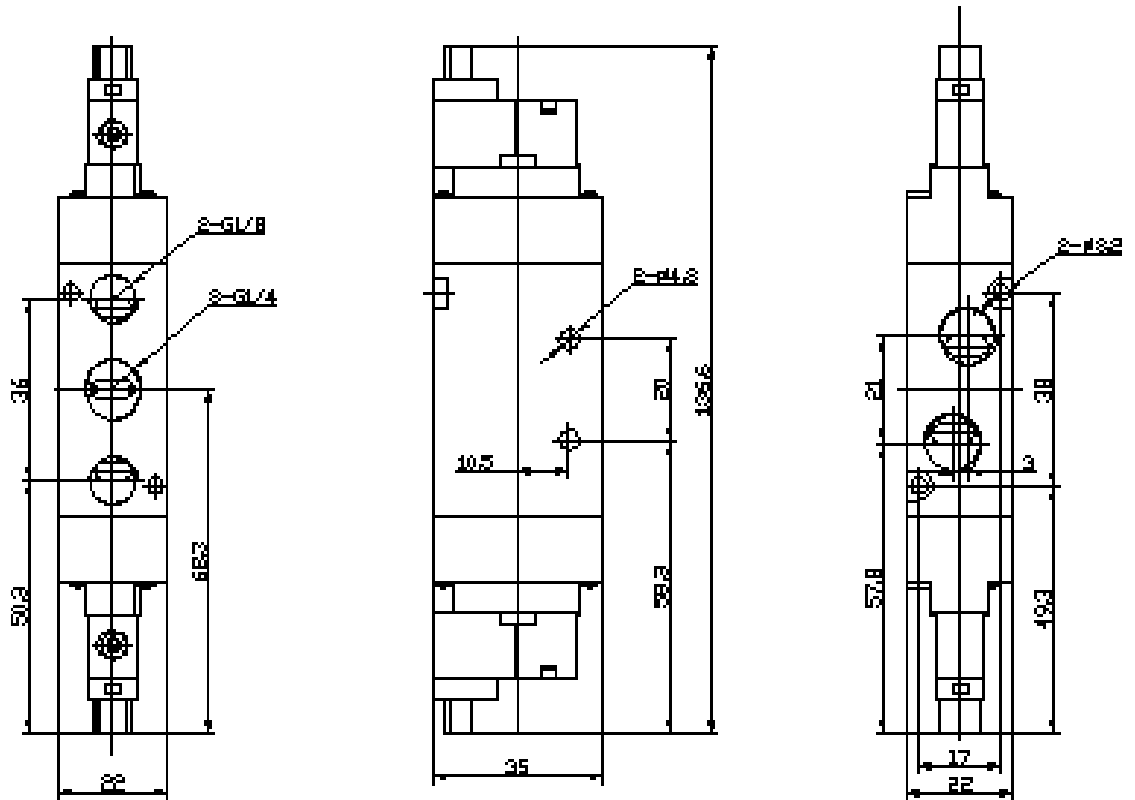
5V130-06



5V210-08



5V220-08



5V230-08

