

AF,BF Series Air Filter:



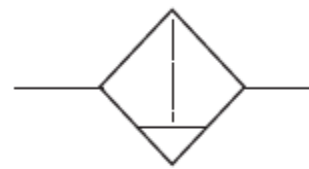
AF2000



BF3000

1.Ordering Code :

AF	2000	-	□
↑	↑		↑
Model	Body size		Blank: Manual
AF: Small size	1500: G1/8		D:With Autodrain
BF: Middle size	2000: G1/4		
	3000: G3/8		
	4000: G1/2		



Graphic Symbol

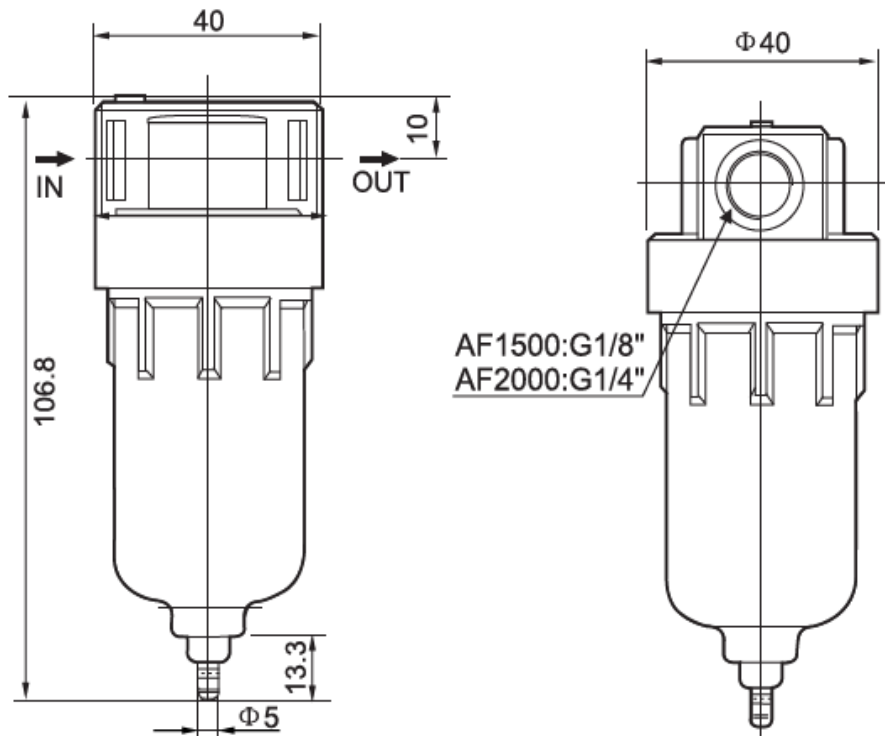
2.Characteristics:

- 1) The AF,BF with water separate cleans the compressed air of fluid oil,condensation and dirt particles.
- 2) Different thread type can be offered according to customers' requirements, e.g.: PT, NPT etc.

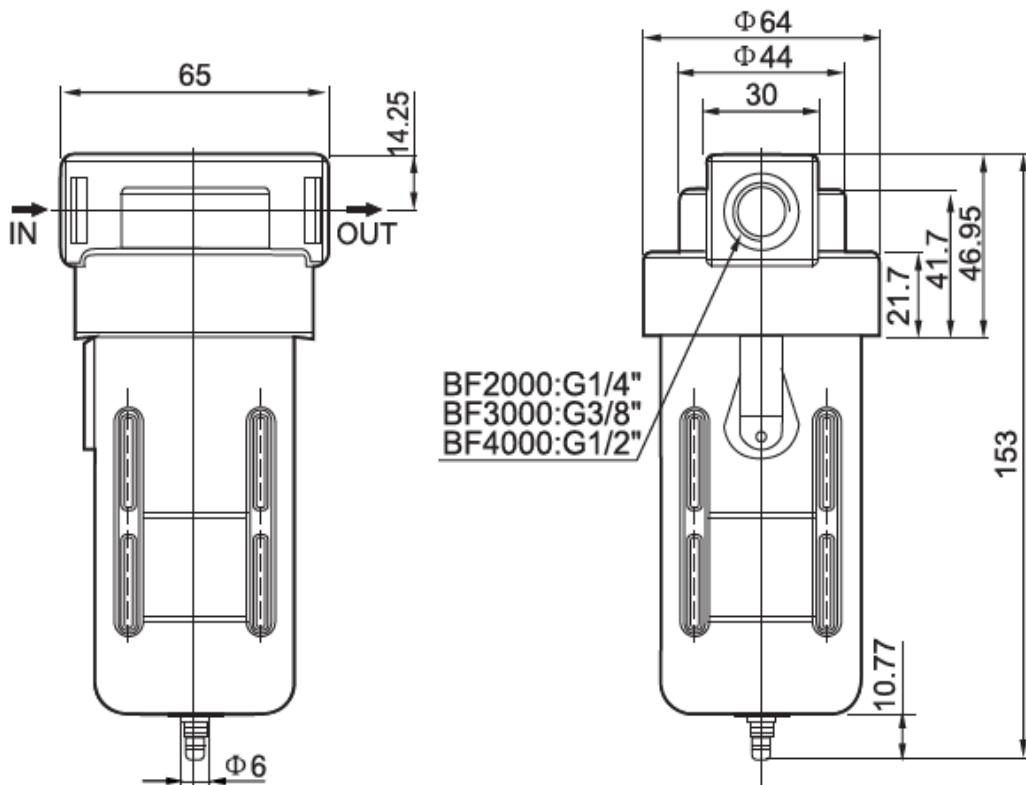
3.Specification:

Model	AF1500	AF2000	BF2000	BF3000	BF4000
Port size	G1/8	G1/4	G1/4	G3/8	G1/2
Applicable medium	Compressed Air				
Grade of filtration	40µm				
Working pressure range	0~1.0 MPa				
Proof pressure	1.5MPa				
Temperature range	5°C~60°C				
Capacity of Filter Cup	15ml		60ml		
Ccontainer Material	Polycarbonate				
Protective cover	Not available		Available		

4. Overall and Dimension Sheet:



AF1500~AF2000



BF2000~BF4000