

AFR,BFR Series Air Filter and Regulator:

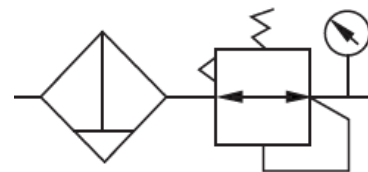


AFR2000

BFR3000

1.Ordering Code :

AFR	2000	-	□
↑	↑		↑
Model	Body size		Blank: Manual
AFR: Small size	1500: G1/8		D:With Autodrain
BFR: Middle size	2000: G1/4		
	3000: G3/8		
	4000: G1/2		



Graphic Symbol

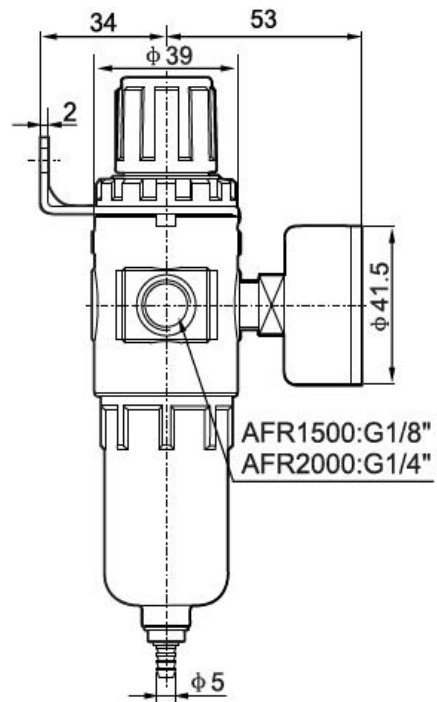
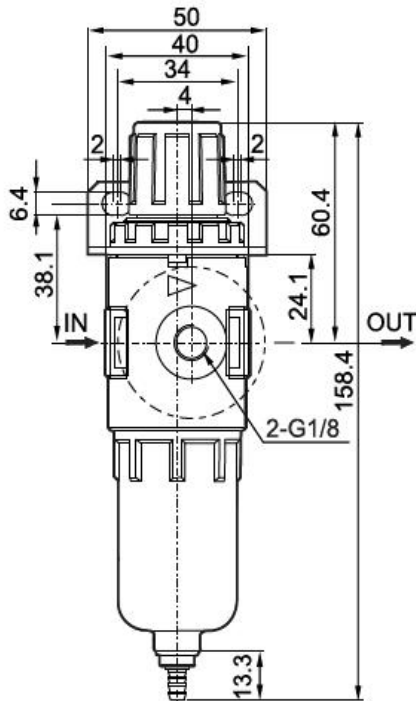
2.Characteristics:

- 1) AFR, BFR series filter®ulator conforms to AirTac standard.
and with water separate cleans the compressed air of fluid oil,condensation and dirt particles.
- 2) They maintain inputting constant operating pressure despite fluctuation in line pressure.
- 3) Different thread type can be offered according to customers' requirements, e.g.: PT, NPT etc.

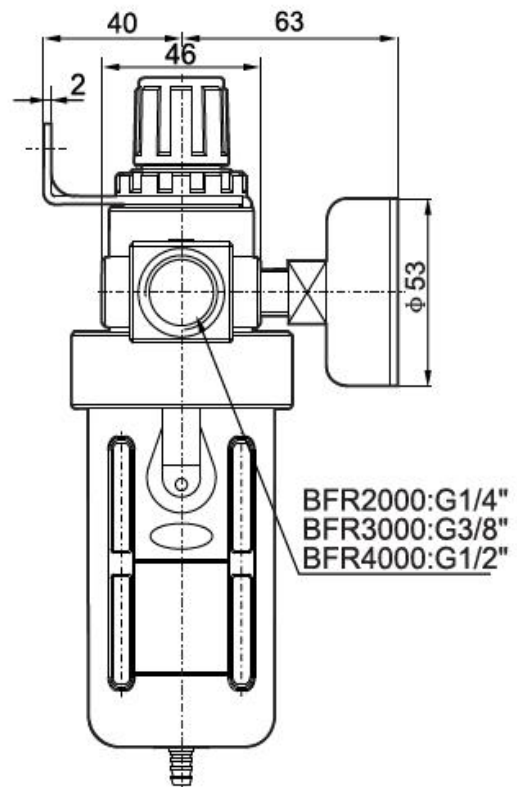
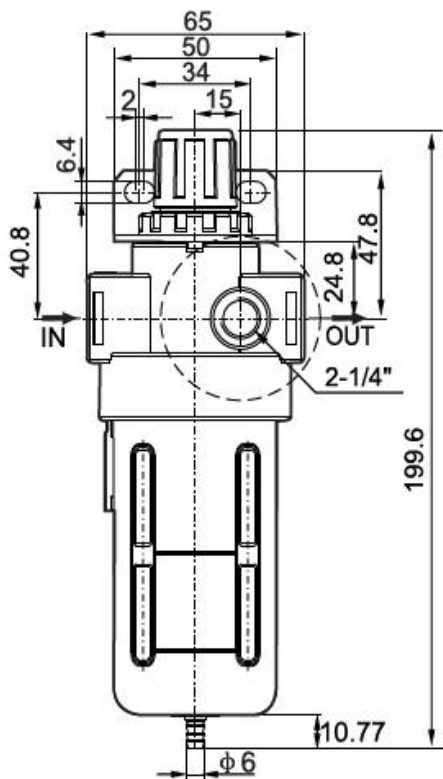
3.Specification:

Model	AFR1500	AFR2000	BFR2000	BFR3000	BFR4000
Port size	G1/8	G1/4	G1/4	G3/8	G1/2
Applicable medium	Compressed Air				
Grade of filtration	40µm				
Working pressure range	0.05~0.85 MPa				
Proof pressure	1.5MPa				
Temperature range	5°C~60°C				
Capacity of Filter Cup	15ml		60ml		
Ccontainer Material	Polycarbonate				
Protective cover	Not available		Available		

4. Overall and Dimension Sheet:



AFR1500~AFR2000



BFR2000~BFR4000