

## AC,BC Series F.R.L Combination:



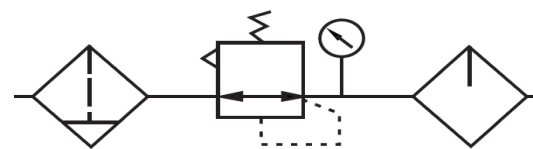
AC2000



BC3000

### 1.Ordering Code :

AC	2000	-	□
↑	↑		↑
Model	Body size		Blank: Manual D:With Autodrain
AC: Small size	1500: G1/8		
BC: Middle size	2000: G1/4		
	3000: G3/8		
	4000: G1/2		



Graphic Symbol

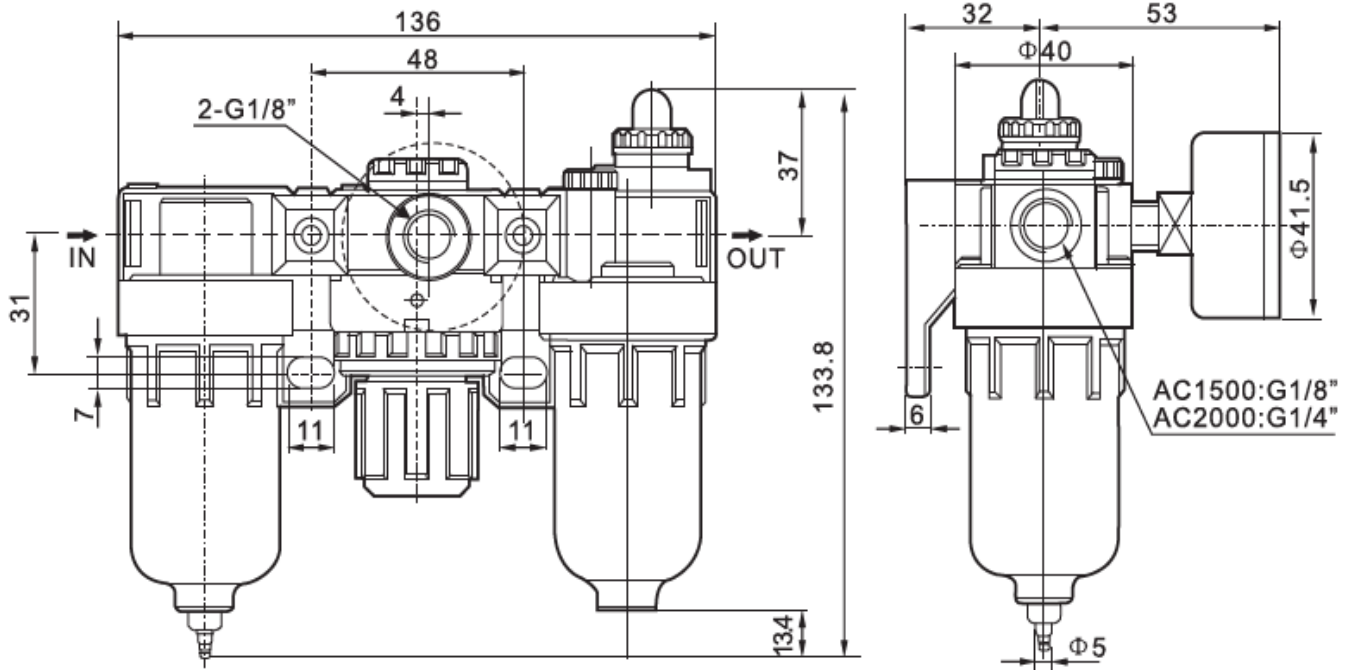
### 2.Characteristics:

- 1) The AC series is consisted of AF, AR,and AL , each unit can be ordered separately.
- 2) The BC series is consisted of BF, BR,and BL , each unit can be ordered separately.
- 3) AC, BC series F.R.L combination conforms to AirTac standard.
- 4) The AF,BF with water separate cleans the compressed air of fluid oil,condensation and dirt particles.
- 5) The AR,BR maintain inputting constant operating pressure despite fluctuation in line pressure.
- 6) The AL,BL proportional lubricator adds a regulated quantity of oil to the filtered air.
- 7) Different thread type can be offered according to customers' requirements, e.g.: PT, NPT etc.

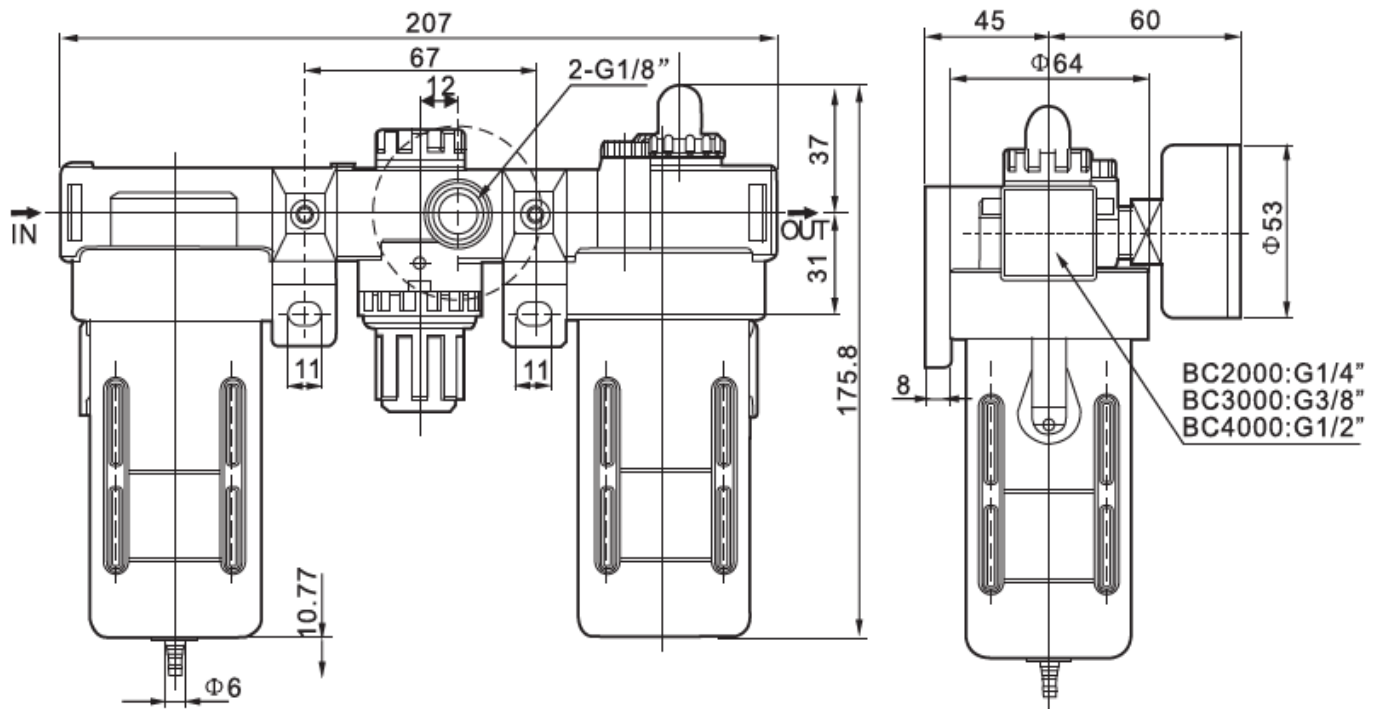
### 3.Specification:

Model	AC1500	AC2000	BC2000	BC3000	BC4000
Port size	G1/8	G1/4	G1/4	G3/8	G1/2
Applicable medium	Compressed Air				
Grade of filtration	40µm				
Working pressure range	0.05~0.85 MPa				
Proof pressure	1.5MPa				
Temperature range	5°C~60°C				
Capacity of Filter Cup	15ml		60ml		
Capacity of oil feed cup	25ml		90ml		
Recommended oil use	ISO VG32 or the same grade oil				
Ccontainer Material	Polycarbonate				
Protective cover	Not available		Available		

4. Overall and Dimension Sheet:



**AC1500~AC2000**



**BC2000~BC4000**