

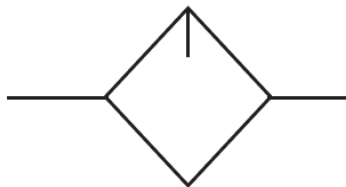
AL Series Lubricator:



1.Ordering Code :

AL	-	3000	-	03
↑		↑		↑
Model Lubricator		Body size		Port size
		1000		M5: M5X0.8
		2000		01: G1/8
		3000		02: G1/4
		4000		03: G3/8
		5000		04: G1/2
				06: G3/4
				10: G1

Graphic Symbol



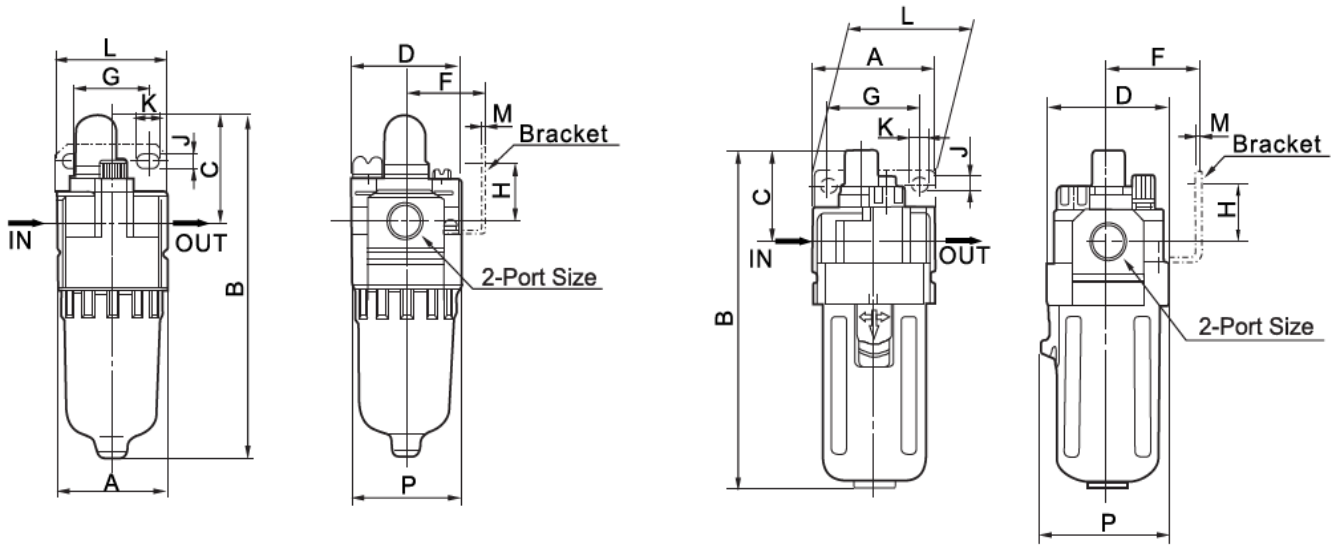
2.Characteristics:

- 1) The proportional lubricator adds a regulated quantity of oil to the filtered air.
 The oil-mist content proportional to the flow and oil can be added during operation.
 The oil drip rate is controlled by the adjustable bolt. Normally, 1 to 12 drops /1000L of the air is sufficient.
- 2) Different thread type can be offered according to customers' requirements, e.g.: PT, NPT etc.

3.Specification:

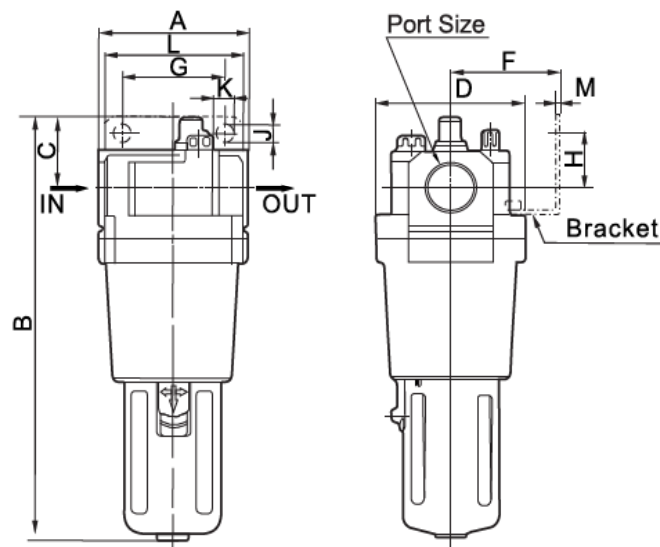
Model	AL2000-01	AL2000-02	AL3000-02	AL3000-03	AL4000-03	AL4000-04	AL4000-06	AL5000-06	AL5000-10
Port size	G1/8	G1/4	G1/4	G3/8	G3/8	G1/2	G3/4	G3/4	G1
Applicable medium	Compressed Air								
Working pressure range	0~1.0 MPa								
Proof pressure	1.5MPa								
Temperature range	0°C~60°C								
Nominal flow rate L/min	800	800	1700	1700	5000	5000	6300	7000	9000
Recommended oil use	ISO VG32 or the same grade oil								
Container Material	Polycarbonate								
Protective cover	Not available			Available					

4. Overall and Dimension Sheet:



AL1000~AL2000

AL3000~AL4000



AL5000

Model	Port Size (G)	A	B	C	D	F	G	H	J	K	L	M	P
AL1000	M5	25	81.5	25.5	25	-	-	-	-	-	-	-	27
AL2000	G1/8~G1/4	40	122	38	40	30	27	22	5.4	8.4	40	2.3	40
AL3000	G1/4~G3/8	53	142	38	53	41	40	23	6.5	8	53	2.3	56
AL4000	G3/8~1/2	70	177	41	70	50	54	26	8.5	10.5	70	2.3	73
AL4000-06	G3~4	75	177	39	70	50	54	25	8.5	10.5	70	2.3	73
AL5000	G3/4~G1	90	254	45	90	66.5	66	35	11	13	90	3.2	90