

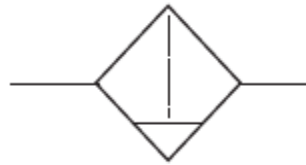
AF Series Air Filter:



1.Ordering Code :

AF	-	4000	-	04	-	□
↑		↑		↑		↑
Model Air Filter		Body size 1000 2000 3000 4000 5000		Port size M5: M5X0.8 01: G1/8 02: G1/4 03: G3/8 04: G1/2 06: G3/4 10: G1		Blank: Manual D:With Autodrain

Graphic Symbol



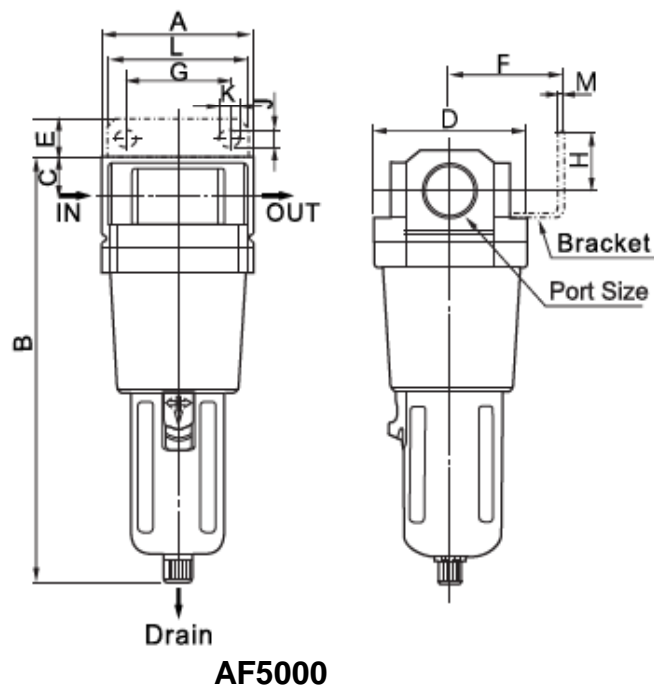
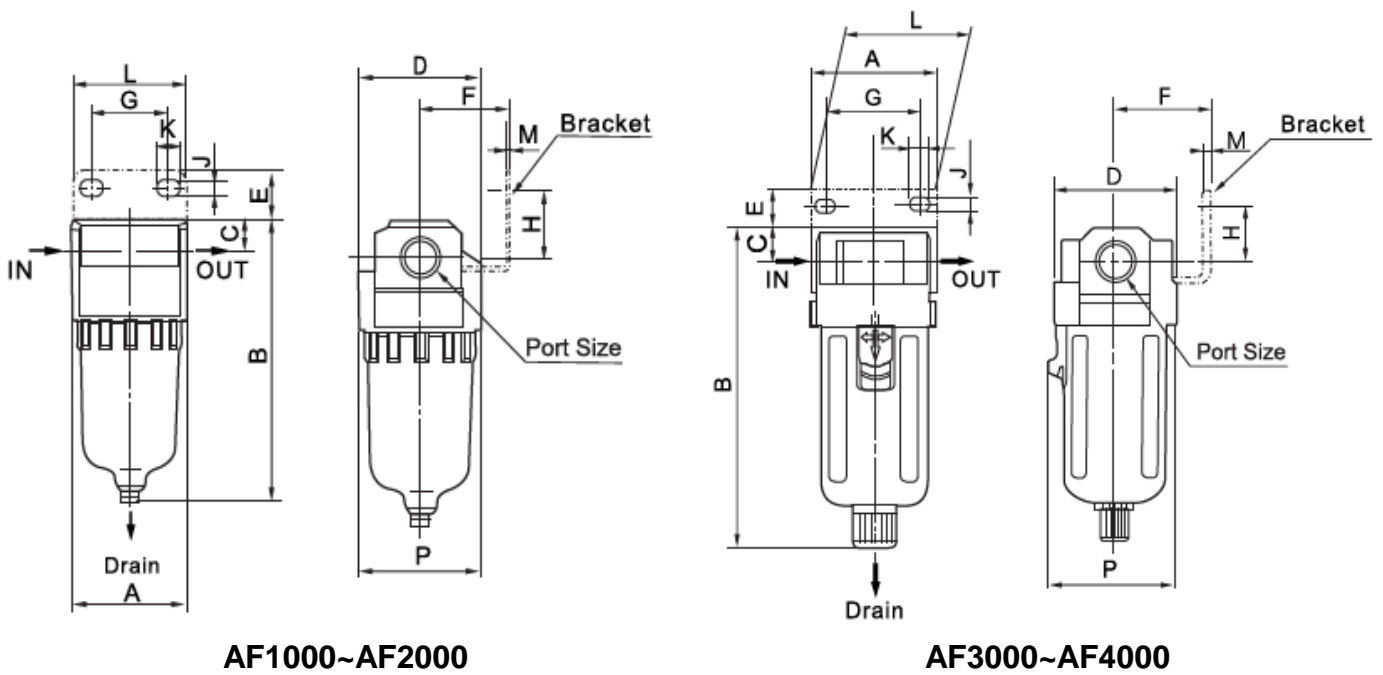
2.Characteristics:

- 1) The AF with water separate cleans the compressed air of fluid oil,condensation and dirt particles.
For special application,the standard 40µm filter element may easily be replaced by a 25µm or 5µm filter element.
- 2) Different thread type can be offered according to customers' requirements, e.g.: PT, NPT etc.

3.Specification:

Model	AF2000-01	AF2000-02	AF3000-02	AF3000-03	AF4000-03	AF4000-04	AF4000-06	AF5000-06	AF5000-10
Port size	G1/8	G1/4	G1/4	G3/8	G3/8	G1/2	G3/4	G3/4	G1
Applicable medium	Compressed Air								
Working pressure range	0~1.0 MPa								
Proof pressure	1.5MPa								
Temperature range	0°C~60°C								
Nominal flow rate L/min	750	750	1500	1500	4000	4000	6000	7000	7000
Grade of filtration	40µm(in default),25µm,5µm								
Ccontainer Material	Polycarbonate								
Protective cover	Not available		Available						
Drain Function	Differential drain		Differential drain or Automatic drain						

4. Overall and Dimension Sheet:



Model	Port Size(G)	A	B	C	D	E	F	G	H	J	K	L	M	P
AF1000	M5	25	66	7	25	-	-	-	-	-	-	-	-	26.5
AF2000	G1/8~G1/4	40	97.5	11	40	17	30	27	22	5.4	8.4	40	2.3	40
AF3000	G1/4~G3/8	53	132.5	14	53	16	41	40	23	6.5	8	53	2.3	56
AF4000	G3/8~1/2	70	168.5	18	70	17	50	54	26	8.5	10.5	70	2.3	73
AF4000-06	G3~4	75	172.5	20	70	14	50	54	25	8.5	10.5	70	2.3	73
AF5000	G3/4~G1	90	247.5	24	90	23	66.5	66	35	11	13	90	3.2	90