

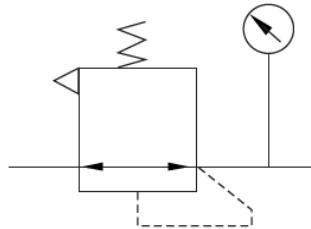
## AR Series Air Regulator:



### 1.Ordering Code :

AR	-	2000	-	02
↑		↑		↑
Model		Body size		Port size
Air Regulator		1000		M5: M5X0.8
		2000		01: G1/8
		3000		02: G1/4
		4000		03: G3/8
		5000		04: G1/2
				06: G3/4
				10: G1

Graphic Symbol



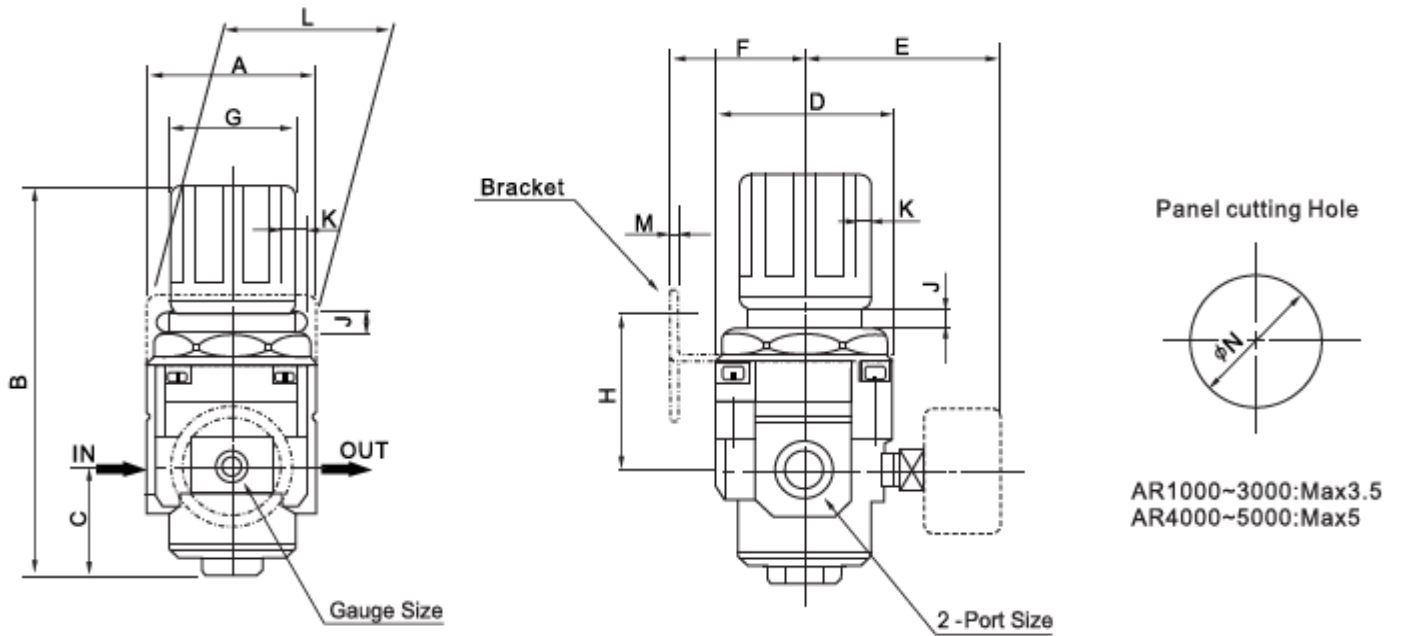
### 2.Characteristics:

- 1) The AR maintain inputting constant operating pressure despite fluctuation in line pressure&the amount of air consumed.
- 2) Different thread type can be offered according to customers' requirements, e.g.: PT, NPT etc.

### 3.Specification:

Model	AR2000-01	AR2000-02	AR3000-02	AR3000-03	AR4000-03	AR4000-04	AR4000-06	AR5000-06	AR5000-10
Port size	G1/8	G1/4	G1/4	G3/8	G3/8	G1/2	G3/4	G3/4	G1
Applicable medium	Compressed Air								
Working pressure range	0.05~0.85 MPa								
Proof pressure	1.5MPa								
Temperature range	0°C~60°C								
Nominal flow rate L/min	550	550	2500	2500	2500	6000	6000	8000	8000

## 4. Overall and Dimension Sheet:



Model	Port Size (G)	A	B	C	D	E	F	G	H	J	K	L	M	N
AR1000	M5	25	61.5	11	25	26	25	28	30	4.5	6.5	40	2	20.5
AR2000	G1/8~G1/4	40	95	17	40	56.8	30	34	44	5.4	15.4	55	2.3	33.5
AR3000	G1/4~G3/8	53	127.5	35	53	60.8	39	40	46	6.5	8	53	2.3	42.5
AR4000	G3/8~1/2	70	149.5	37.5	70	65.5	49.5	54	54	8.5	10.5	70	2.3	52.5
AR4000-06	G3~4	75	154	40.5	70	69.5	49.5	54	55.5	8.5	10.5	70	2.3	52.5
AR5000	G3/4~G1	90	168	48	90	75.5	49.5	54	62	8.5	10.5	70	2.3	52.5