

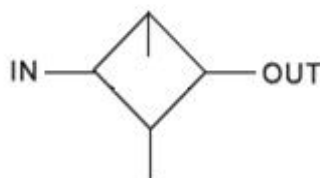
## OL Series Lubricator:



### 1. Ordering Code :

OL	-	MINI	-	1/4
↑		↑		↑
Model		Body size		Port size
Lubricator		MINI		1/8: G1/8
		MIDI		1/4: G1/4
		MAXI		3/8: G3/8
				1/2: G1/2
				3/4: G3/4
				1: G1

Graphic Symbol



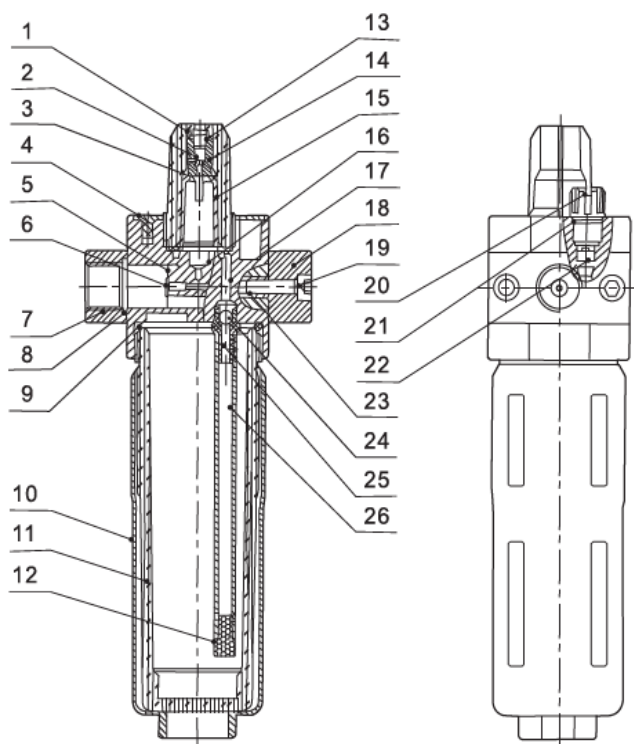
### 2.Characteristics:

- 1) The proportional lubricator adds a regulated quantity of oil to the filtered air.  
The oil-mist content proportional to the flow and oil can be added during operation.  
The oil drip rate is controlled by the adjustable bolt. Normally, 1 to 12 drops /1000L of the air is sufficient.
- 4) Different thread type can be offered according to customers' requirements, e.g.: PT, NPT etc.

### 3.Specification:

Boby size	MINI			MIDI			MAXI	
Model	OL-MINI-1/8	OL-MINI-1/4	OL-MINI-3/8	OL-MIDI-3/8	OL-MIDI-1/2	OL-MIDI-3/4	OL-MAXI-3/4	OL-MAXI-1
Applicable medium	Compressed Air							
Mounting type	Pipe mounting or foot mounting							
Assembly position	Vertical $\pm 5^\circ$							
Working pressure range	0~1.6 MPa							
Temperature range	0°C~60°C							
Nominal flow rate(40 $\mu$ m) L/min	1300	2300	2700	5500	6100	6300	8400	9000
Capacity of condensate fluid	22ml			43ml			80ml	
Min. Standard nominal flow rate	3L/min			6L/min			10L/min	
Recommmended oil	ISO VG32 or the same grade oil							
Port size	G1/8	G1/4	G3/8	G3/8	G1/2	G3/4	G3/4	G1

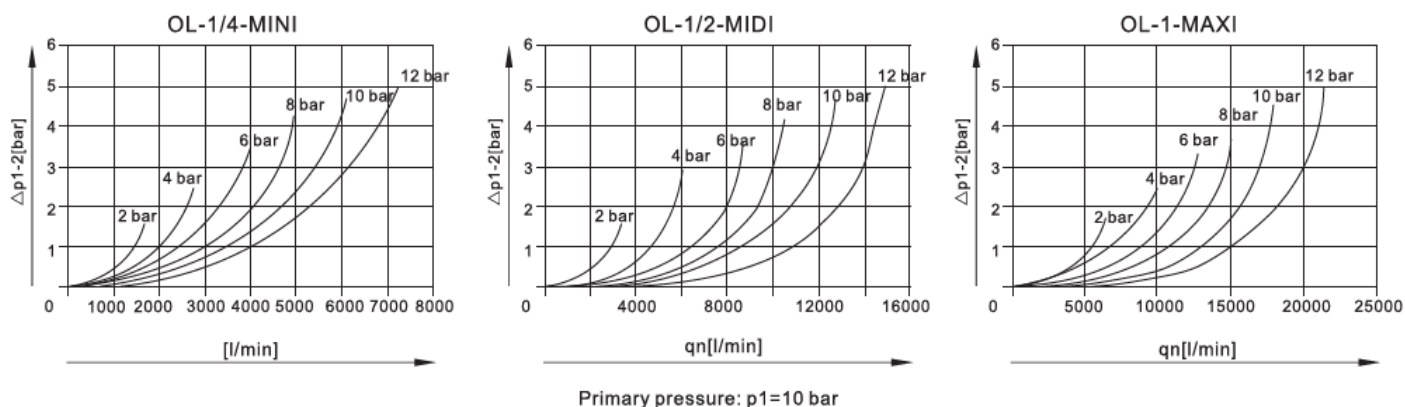
## 4. Internal Structure:



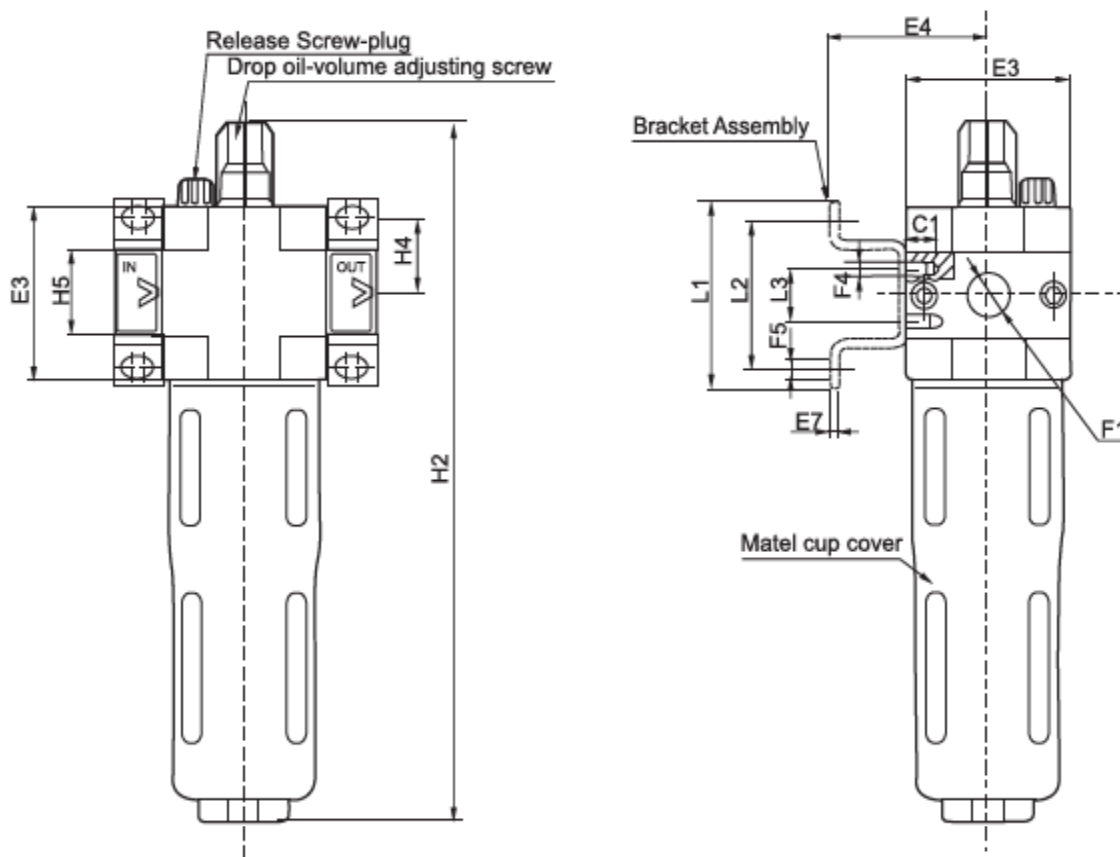
NO	Item	Material
1	Upper glass	PC
2	Adjust screw	Brass
3	O-ring	NBR
4	Ornament cover(circular)	PO
5	Windshield chip	NBR
6	Windshield base	Brass
7	Flange-IN	Zinc alloy
8	O-ring	NBR
9	O-ring	NBR
10	Metal bowl guard	Aluminium alloy
11	Lubricator bowl	PC
12	Oil-filter plup	Brass powder sintered
13	O-ring	NBR
14	Screw base	Brass
15	Oil dropping	PC
16	Seal piece	NBR
17	OL Body	Zinc alloy
18	Flange-OUT	Zinc alloy
19	Allen screw	S35C
20	Bleeder screw	POM
21	O-ring	NBR
22	Valve pin	Brass
23	Double-end bolt	SUS
24	Steel ball	SUS304
25	Oil tube connection	POM
26	Oil tube	PU

## 5. Flow rate diagram:

Standard flow rate  $q_n$  as a function of the output pressure  $p_2$ .



## 6. Overall and Dimension Sheet:



Model	E3	E4	E7	F1	F4	F5Φ	L1	L2	L3	H4	H5
OL-MINI	40	39	2	G1/8 ,G1/4 ,G3/8	M4	4.5	44	35	11	17.5	20
OL-MIDI	55	47	3	G1/8 ,G1/2 ,G3/4	M5	5.5	71	60	22	24.5	32
OL-MAXI	66	53	3	G3/4 ,G1	M5	5.5	71	60	22	24.5	32,40