

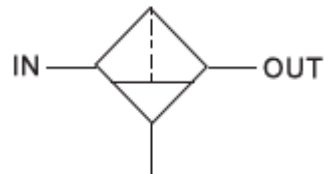
## OF Series Air Filter:



### 1. Ordering Code :

OF	-	MINI	-	1/4	-	□
↑		↑		↑		↑
Model		Body size		Port size		Blank: Manual
Air Filter		MINI		1/8: G1/8		D:With Autodrain
		MIDI		1/4: G1/4		
		MAXI		3/8: G3/8		
				1/2: G1/2		
				3/4: G3/4		
				1: G1		

Graphic Symbol



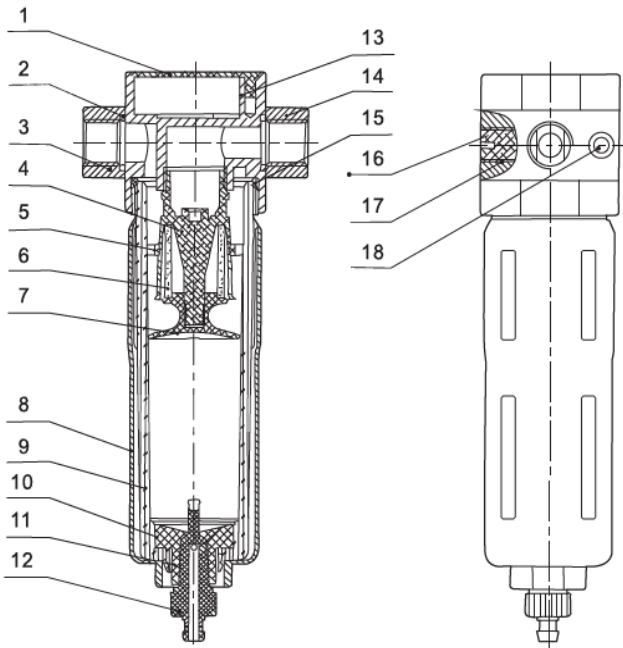
### 2.Characteristics:

- 1) The OF with water separate cleans the compressed air of fluid oil,condensation and dirt particles.  
For special application,the standard 40µm filter element may easily be replaced by a 5µm filter element.
- 2) Different thread type can be offered according to customers' requirements, e.g.: PT, NPT etc.

### 3.Specification:

Boby size	MINI			MIDI			MAXI	
	OF-MINI-1/8	OF-MINI-1/4	OF-MINI-3/8	OF-MIDI-3/8	OF-MIDI-1/2	OF-MIDI-3/4	OF-MAXI-3/4	OF-MAXI-1
Model								
Applicable medium	Compressed Air							
Mounting type	Pipe mounting or foot mounting							
Assembly position	Vertical ±5°							
Working pressure range	0~1.6 MPa							
Temperature range	0°C~60°C							
Nominal flow rate(40µm) L/min	1000	1200	1400	2700	3000	3000	5000	5300
Nominal flow rate(5µm) L/min	600	950	1100	1800	1900	1900	3200	3300
Grade of filtration	40µm/5µm							
Capacity of condensate fluid	22ml			43ml			80ml	
Min. Standard nominal flow rate	3L/min			6L/min			10L/min	
Port size	G1/8	G1/4	G3/8	G3/8	G1/2	G3/4	G3/4	G1

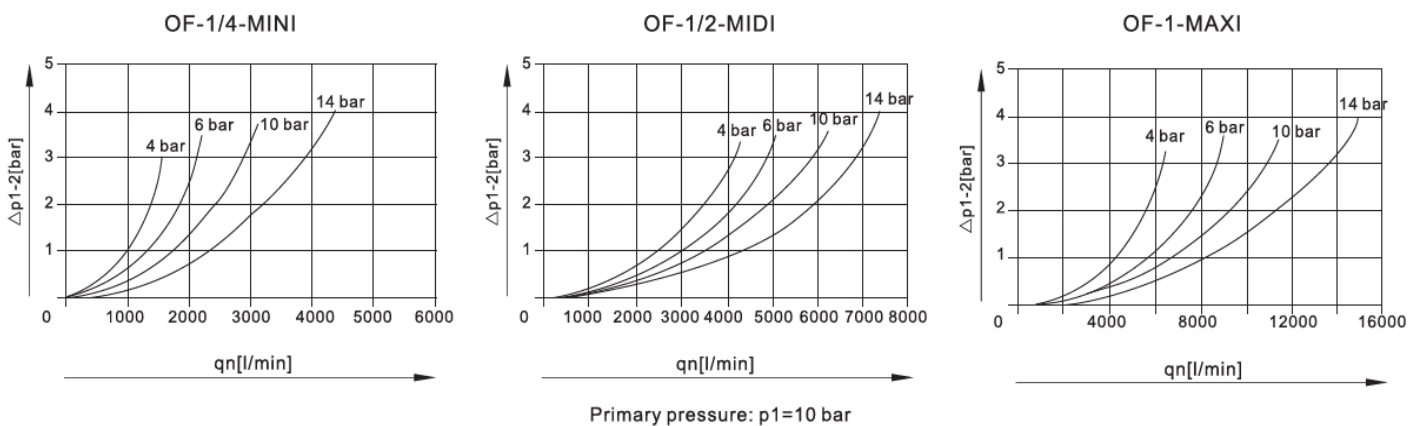
## 4. Internal Structure:



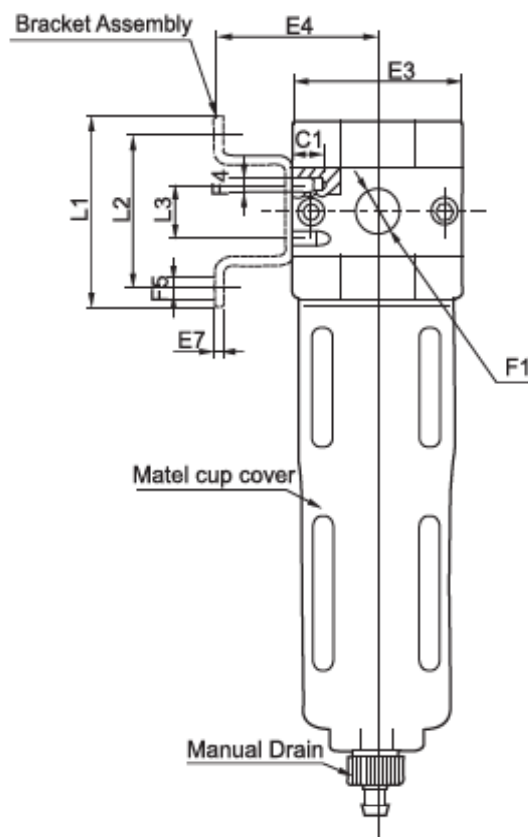
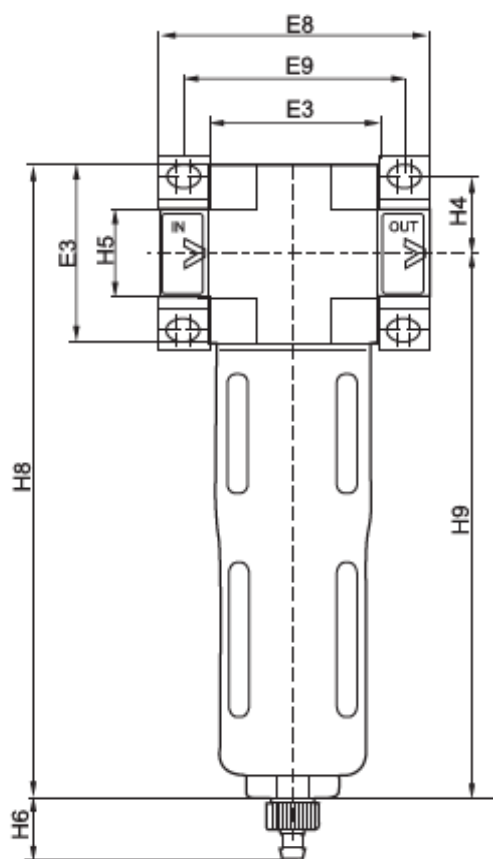
NO	Item	Material
1	Ornament cover(round)	POM
2	O-ring	NBR
3	Flange-IN	Zinc alloy
4	Filter element base	POM
5	Whirl wind imprller	POM
6	Filter element	PE
7	Manger	POM
8	Metal bowl guard	Aluminium alloy
9	Filter bowl	PC
10	O-ring	NBR
11	Inner joint	POM
12	Condensate drain	POM
13	OF Body	Zinc alloy
14	Flange-OUT	Zinc alloy
15	O-ring	NBR
16	Plug	POM
17	O-ring	NBR
18	Allen screw	S35C

## 5. Flow rate diagram:

Standard flow rate  $q_n$  as a function of the output pressure  $p_2$ .



## 6. Overall and Dimension Sheet:



Model	E3	E4	E7	E8	E9	F1	F4	F5φ	L1	L2	L3	H4	H5	H6	H8	H9
OF-MINI	40	39	2	64	52	G1/8 ,G1/4 ,G3/8	M4	4.5	44	35	11	17.5	20	15	144	129
OF-MIDI	55	47	3	85	70	G1/8 ,G1/2 ,G3/4	M5	5.5	71	60	22	24.5	32	15	179	156
OF-MAXI	66	53	3	96,116	80,91	G3/4 ,G1	M5	5.5	71	60	22	24.5	32,40	15	203	175