

# RSQ Series Stopper Cylinder:



## 1. Ordering Code:

RSQ	-	B	-	40	x	15	-	D		R
↑		↑		↑		↑		↑		↑
<b>Model</b>		<b>Installation</b>		<b>Bore</b>		<b>Stroke</b>		<b>Action</b>		<b>Rod end type</b>
RSQ: Normal type		B: hole		12mm		10~30mm		D: double action		Blank: round bar type(Φ20~Φ50)
RSDQ: with magnet inside		A: Internal thread on both ends		16mm				S: single action with spring return		K: chamfered type(Φ20~Φ50)
				20mm				T: single action with spring extent		L: level type with shock absorber (Φ32~Φ50)
				32mm						B: level type with adjustable shock absorber (Φ32~Φ50)
				40mm						C: level type with adjustable shock absorber, cancel cap (Φ32~Φ50)
				50mm						D: level type with adjustable shock absorber, lock mechanism(Φ32~Φ50)
										E: level type with adjustable shock absorber, cancel cap&lock(Φ32~Φ50)

## 2. Characteristics:

- 1) Small size and light weight.
- 2) Flexible and precision.
- 3) There are more mounting holes on the fixed board
- 4) Different thread type can be offered according to customers' requirements, e.g.:BSP, NPT etc.
- 5) Needn't lubricate on piston rod by oil

## 3. Specification:

Bore (mm)	12	16	20	32	40	50
<b>Motion Pattern</b>	Double Action, Single Action					
<b>Applicable medium</b>	Filered Air					
<b>Pressure range</b>	0.1~1.0 MPa					
<b>Proof pressure</b>	1.5 MPa					
<b>Temperature range</b>	-10℃~70℃ with auto switch No freezing +60℃					
<b>Lubrication</b>	Not required					
<b>Buffering</b>	Rubber bumper					
<b>Stroke tolerance</b>	0~1.4mm					
<b>Mounting</b>	Through-hole, Tapped common on both ends					
<b>Port size</b>	M5x0.8			1/8"PT		

## 4. Model instruction:

Bore size (mm)		12	16	20	32	40	50
Mounting	Through-hole	●*	●	●	●	●	●
	Both ends tapped style		●	●	●	●	●
Built-in magnet		●	●	●	●	●	●
Piping	Screw-in type	M5×0.8			Rc 1/8		
	Built-in One-touch fittings	-			φ 6/4		φ 8/6
Action		Double acting Single acting(Single extend),Double acting with spring loaded					
Rod end configuration	Round bar		●			●	
	Chamfered		●			●	
	Roller type		●			●	
	Lever type		-			●	

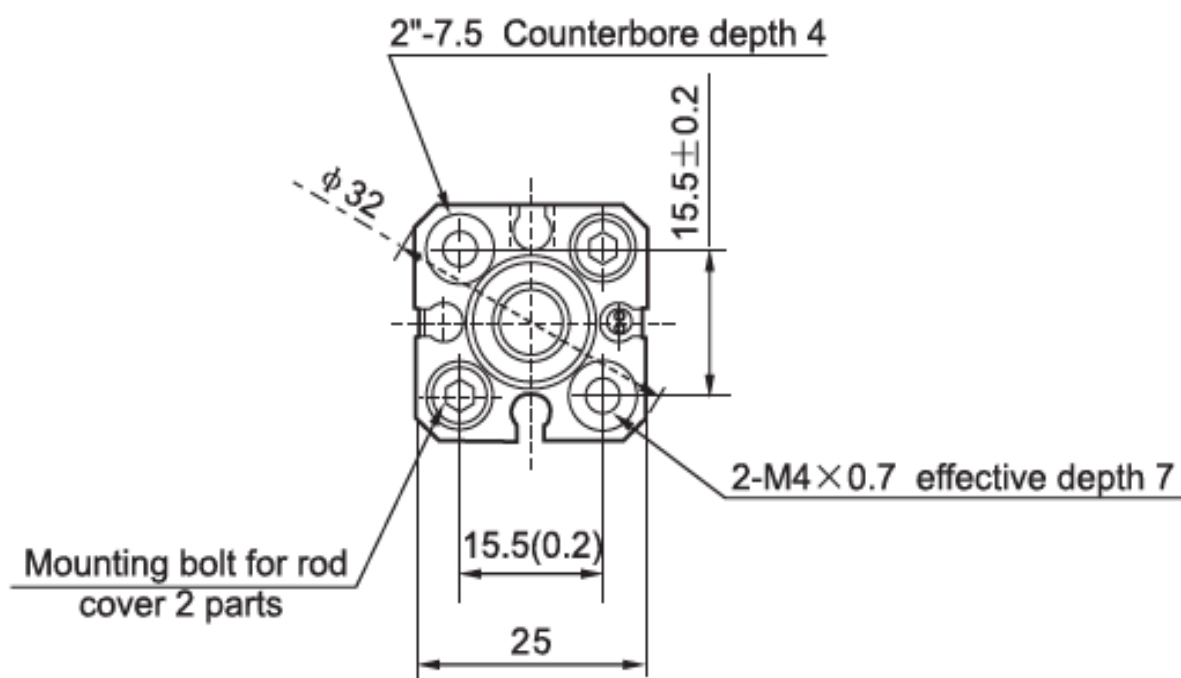
Φ 12 tubes can have both through-hole and tap mountings in the same tube.

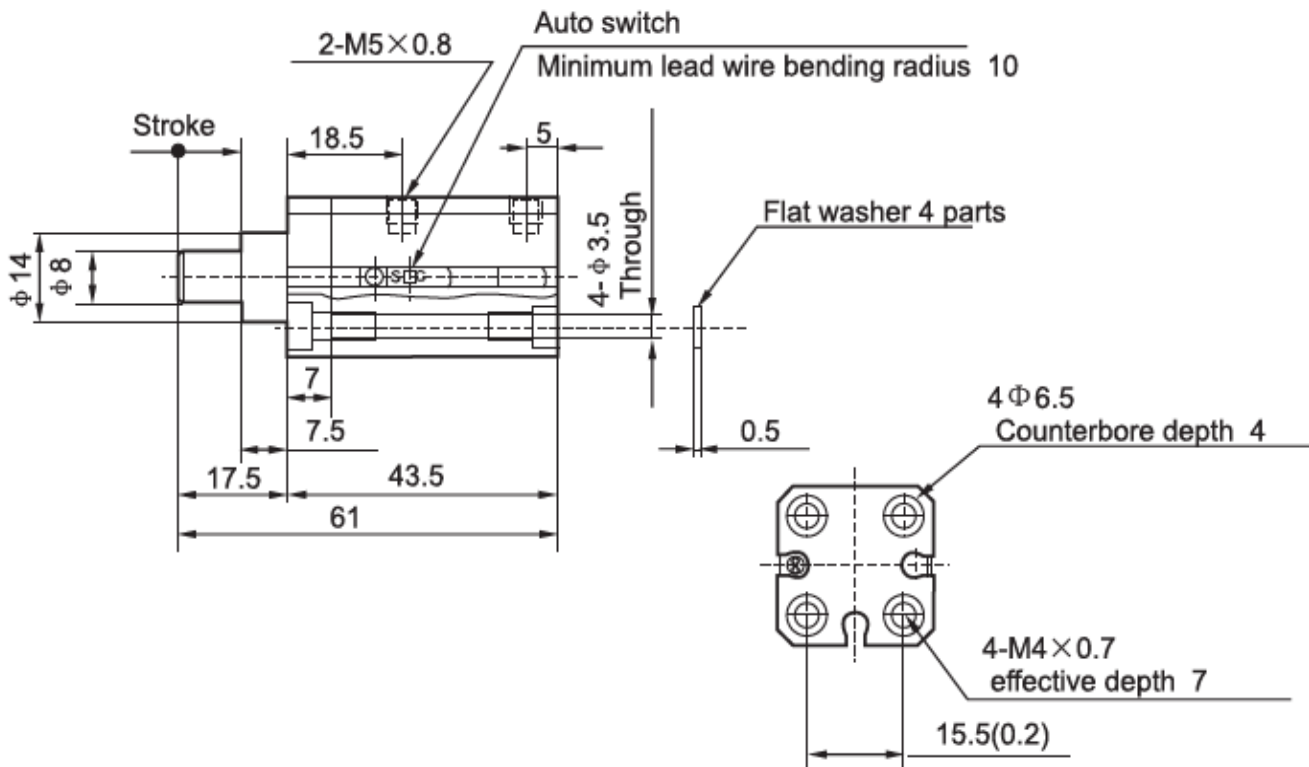
## 5. Standard Stroke:

Bore size (mm)	Rod end configuration		
	Round bar, Chamfered type	Roller type	Lever type with shock absorber
12	10	10	-
16	10,15	10,15	-
20	10,15,20	10,15,20	-
32			10,15,20
40	20,25,30	20,25,30	20,25,30
50			

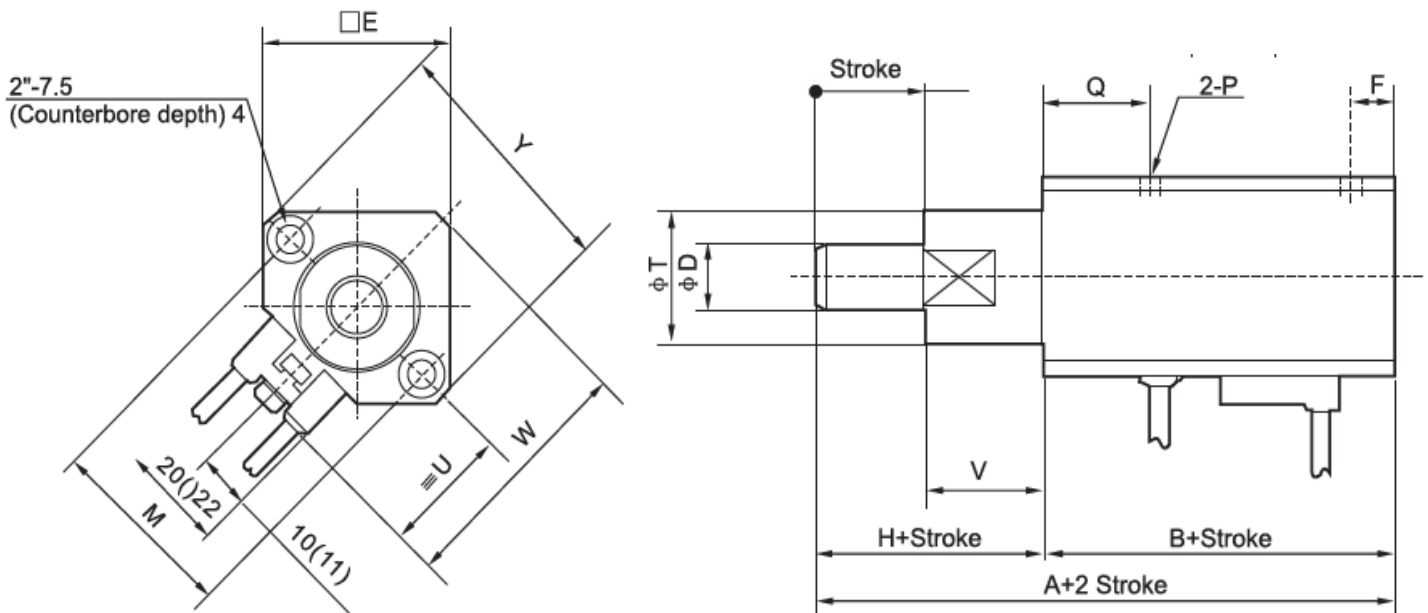
## 6. Overall and Dimension Sheet:

### 1) RSQB12-10□ (Bore: Φ12) Basic Type





## 2) RSQB16/20-□ (Bore: Φ16,Φ20) Basic Type



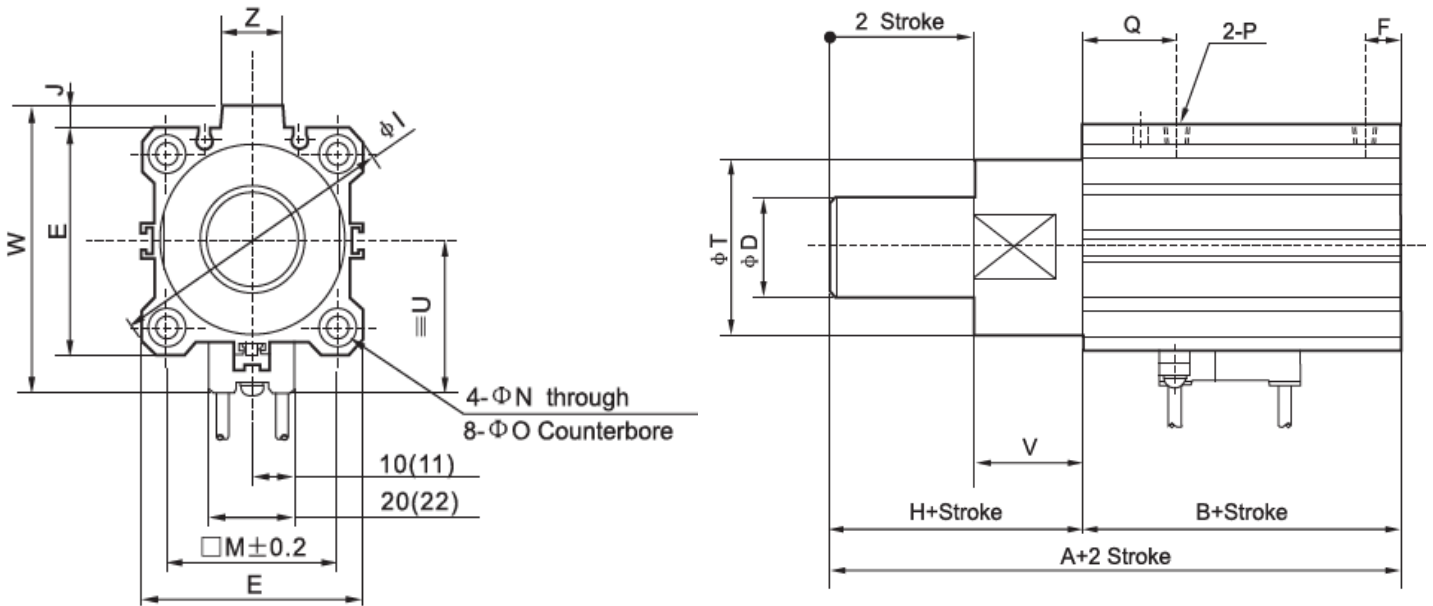
Bore size (mm)	A	B	D	E	F	G	H	I	M	N	O Counerbore	P	Q	T	U	V	W	Y	Z	
16	59.5	41.5	10	29	6	3	18	-	28	3.5	6.5 depth 4	M5×0.8	17	20	22.5	18	41.5	38	-	
20	67	45	12	36	8	4	22	-	36	5.5	9 depth 7	Rc 1/8	20	24	24.5	22	48	47	-	
32	68	48	20	45	7.5	8	20	60	4.5	34	5.5	9 depth 7	Rc 1/8	20	36	31.5	20	58.5	-	14
40	80.5	52.5	25	52	8	10	28	69	5	40	5.5	9 depth 7	Rc 1/8	24.5	44	35	28	66	-	14
50	82	54	25	64	8	10	28	86	7	50	6.6	11 depth 8	Rc 1/8	24.5	56	41	28	80	-	19

Note1)Dimensions without auto switch are the same as drawing above.

Note2)These figures show the dimensions when equipped with D-A 73 or D-A 80 auto switches.

Note3)These figures show the piston rod extended.

### 3) RSQB32/40/50-□ (Bore: Φ32,Φ40,Φ50) Basic Type



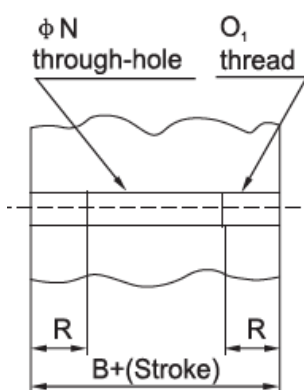
Bore size (mm)	A	B	D	E	F	G	H	I	M	N	O Counterbore	P	Q	T	U	V	W	Y	Z	
16	59.5	41.5	10	29	6	3	18	-	28	3.5	6.5 depth 4	M5×0.8	17	20	22.5	18	41.5	38	-	
20	67	45	12	36	8	4	22	-	36	5.5	9 depth 7	Rc 1/8	20	24	24.5	22	48	47	-	
32	68	48	20	45	7.5	8	20	60	4.5	34	5.5	9 depth 7	Rc 1/8	20	36	31.5	20	58.5	-	14
40	80.5	52.5	25	52	8	10	28	69	5	40	5.5	9 depth 7	Rc 1/8	24.5	44	35	28	66	-	14
50	82	54	25	64	8	10	28	86	7	50	6.6	11 depth 8	Rc 1/8	24.5	56	41	28	80	-	19

Note1)Dimensions without auto switch are the same as drawing above.

Note2)These figures show the dimensions when equipped with D-A 73 or D-A 80 auto switches.

Note3)These figures show the piston rod extended.

### 4) RSQA (Bore: Φ16,Φ20,Φ32,Φ40,Φ50) Internal thread on both ends type



Screw mounting style:Both ends tapped style (mm)

Modle	B	N	Q1	R
RS□QA16	41.5	3.5	M4×0.7	7
RS□QA20	45	5.5	M6×1	10
RS□QA32	48	5.5	M6×1	10
RS□QA40	52.5	5.5	M6×1	10
RS□QA50	54	6.6	M8×1.25	14