

## MBB Series Standard Cylinder (SMC standard):



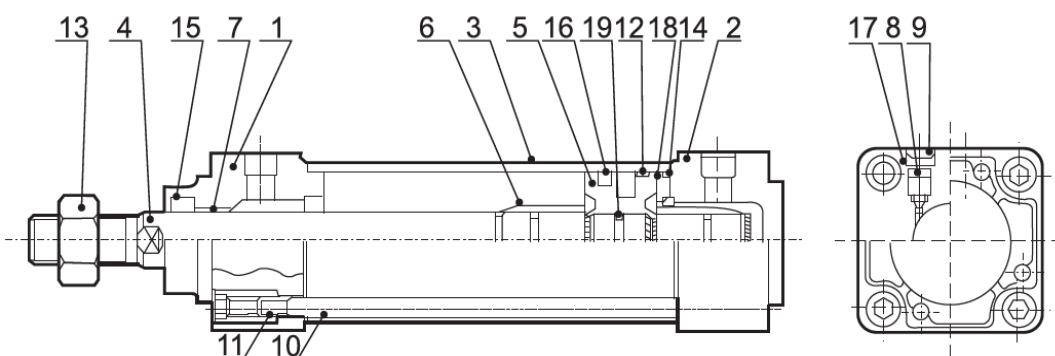
### 1. Ordering Code :

MBB	-	50	x	50	-	S
↑		↑		↑		↑
<b>Model</b>		<b>Bore</b>		<b>Stroke</b>		
Double action type		32mm		25~750mm		Blank: Without magnet
		40mm				S: With magnet inside
		50mm				
		63mm				
		80mm				
		100mm				

### 2.Characteristics:

- 1) This series of cylinder conforms to: SMC standard
- 2) There is an adjustable buffers at the terminals of the cylinder except for mounted cushion.
- 3) Different mounting type can be selected.
- 4) Different thread type can be offered according to customers' requirements, e.g.:BSP, NPT etc.
- 5) Needn't lubricate on piston rod by oil

### 3. Internal Structure:



NO	Designation	NO	Designation	NO	Designation
1	Front cover	6	Buffer ring	11	Tie rod nut
2	Back Cover	7	Bearing	12	Wear ring
3	Barrel	8	Cushion Screw	13	Piston rod nut
4	Piston rod	9	Cushion Seal	17	Buffer seal ring
5	Piston	10	Tie rod	19	Piston O-ring

## 4. Specification:

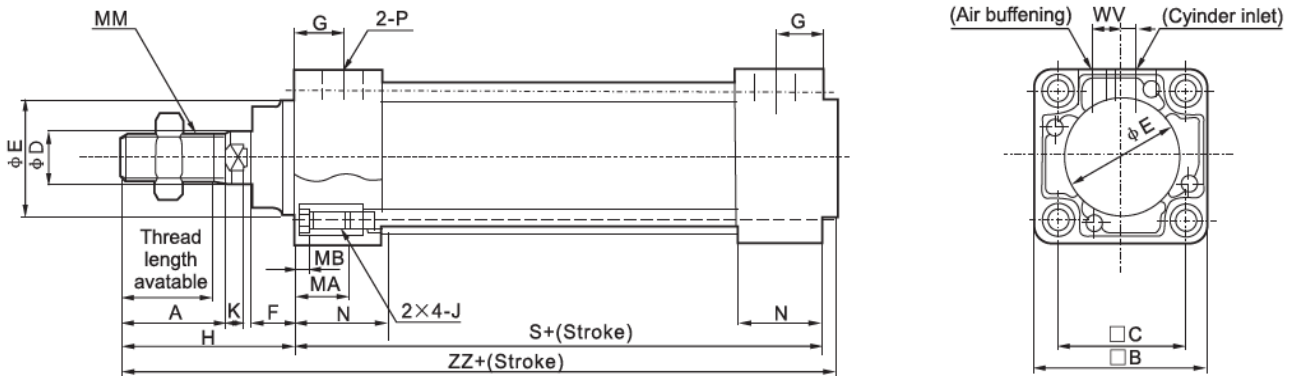
Bore (mm)	32	40	50	63	80	100
Action	Double Action					
Applicable medium	Filered Air					
Pressure range	0.1~1.0 MPa					
Proof pressure	1.5 MPa					
Temperature range	-5°C~70°C					
Speed range	50~1000 mm/s					
Cushion style	Adjustable Air Buffer					
Stroke tolerance	0~250 <sup>+10</sup> , 251~1000 <sup>+14</sup> , 1001~1500 <sup>+18</sup>					
Port size	G1/8	G1/4		G3/8		G1/2

## 5. Stroke:

Bore (mm)	Standard Stroke
32	25,50,75,100,125,150,175,200,250,300,350,400,450,500
40	25,50,75,100,125,150,175,200,250,300,350,400,450,500
50	25,50,75,100,125,150,175,200,250,300,350,400,450,500,600
63	25,50,75,100,125,150,175,200,250,300,350,400,450,500,600
80	25,50,75,100,125,150,175,200,250,300,350,400,450,500,600,700,750
100	25,50,75,100,125,150,175,200,250,300,350,400,450,500,600,700,750

## 6. Overall and Dimension Sheet:

Φ32~Φ100



Diameter	Stroke range	Thread length available	A	□B	□C	φD	φE	F	G	MA	MB	J	K	MM	N	P	S	V	W	H	ZZ
32	~500	19.5	22	46	32.5	12	30	13	13	16	4	M6×1.0	6	M10×1.25	27	1/8	84	4	6.5	47	135
40	~500	27	30	52	38	16	35	13	14	16	4	M6×1.0	6	M14×1.5	27	1/4	84	4	9	51	139
50	~600	32	35	65	46.5	20	40	14	15.5	16	5	M8×1.25	7	M18×1.5	31.5	1/4	94	5	10.5	58	156
63	~600	32	35	75	56.5	20	45	14	16.5	16	5	M8×1.25	7	M18×1.5	31.5	3/8	94	9	12	58	156
80	~750	37	40	95	72	25	45	20	19	16	5	M10×1.5	10	M22×1.5	38	3/8	114	11.5	14	72	190
100	~750	37	40	114	89	30	55	20	19	16	5	M10×1.5	10	M26×1.5	38	1/2	114	17	15	72	190