

STMB,STMS Series Slide Bearing Cylinder:



1.Ordering Code :

STM	B	-	16	x	50
↑	↑		↑		↑
Model	Mounting Type		Bore		Stroke
STM: Sliding type	B: Body fixed type S: Sliding Block fixed		10mm 16mm 20mm 25mm		0~250mm

2.Characteristics:

- 1) Double cylinder structure with high precision and dual output force.
- 2) No rotation.
- 3) Better performance against side loads.
- 4) Different thread type can be offered according to customers' requirements, e.g.:BSP, NPT etc.
- 5) Needn't lubricate on piston rod by oil

3.Specification:

Bore(mm)	10	16	20	25
Motion Pattern	Double action			
Working Medium	Air			
Operating Temperature Range	-5~+70℃			
Operating Voltage Range	1.0~9.0kgf/cm ²			
Ensured Pressure Resistance	13.5Mpa			
Operating Speed Range	50~200mm/s			
Buffer Type	Shock Absorter			
Lubrication	NO			
Non-rotating Precision	±0.1°		±0.05°	
Port size	M5×0.8			G1/8"

4. Stroke:

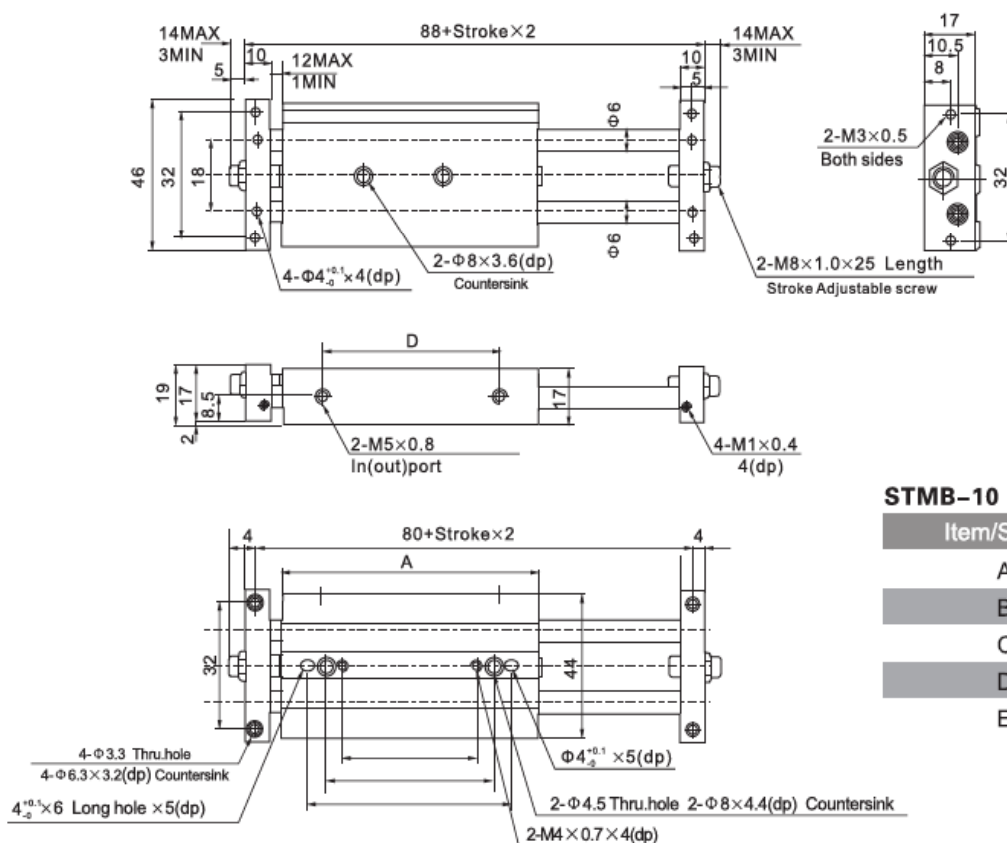
Bore size (mm)	Standard stroke (mm)									
10	25	50	75	100						
16	25	50	75	100	125	150	175	200		
20	25	50	75	100	125	150	175	200	250	
25	25	50	75	100	125	150	175	200	250	

5. Theoretical thrust:

Bore size	Rod size (mm)	Pressure area (cm ²)	Operating pressure(Kgf/mm ²)								
			1	2	3	4	5	6	7	8	9
10mm	6	0.50	0.48	0.95	1.43	1.9	2.38	2.85	3.43	3.8	4.28
16mm	8	1.51	1.43	2.87	4.30	5.74	7.17	8.61	10.04	11.48	12.91
20mm	10	2.36	2.24	4.48	6.73	8.97	11.21	13.45	15.69	17.94	20.18
25mm	12	3.78	3.51	7.18	10.77	14.36	17.96	21.55	25.14	28.73	32.32

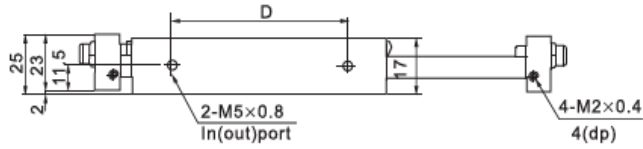
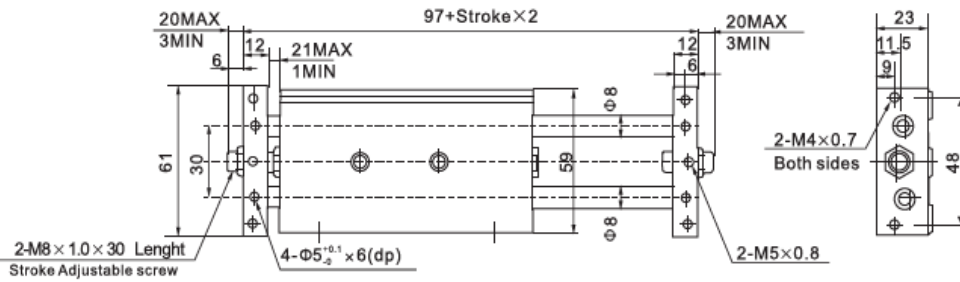
6. Overall and Dimension Sheet:

1) STMB (Body Fixed Type)



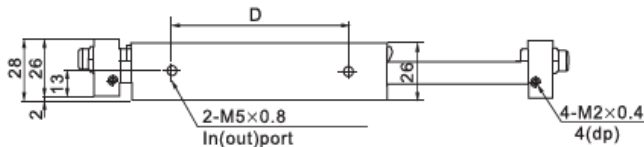
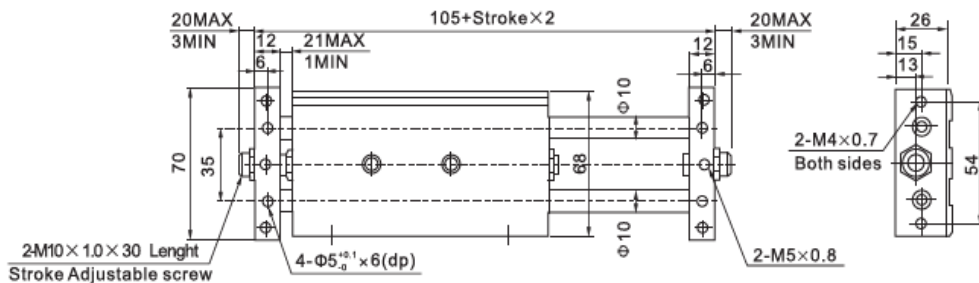
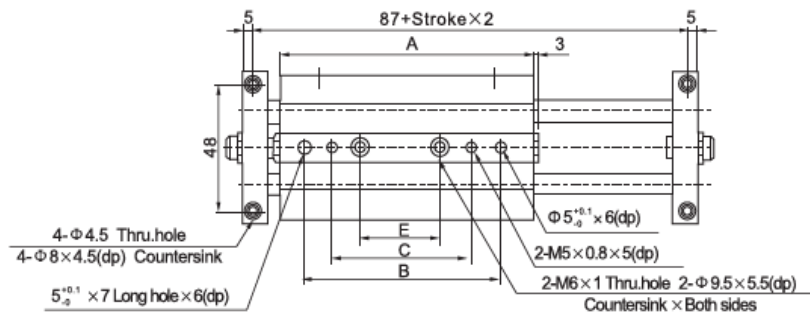
STMB-10

Item/Stroke	25	50	75	100
A	81	106	131	156
B	65	85	85	85
C	35	60	60	60
D	46	71	96	121
E	15	40	40	40



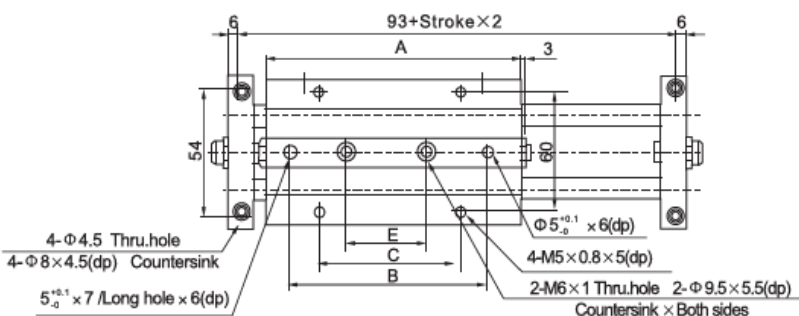
STMB-16

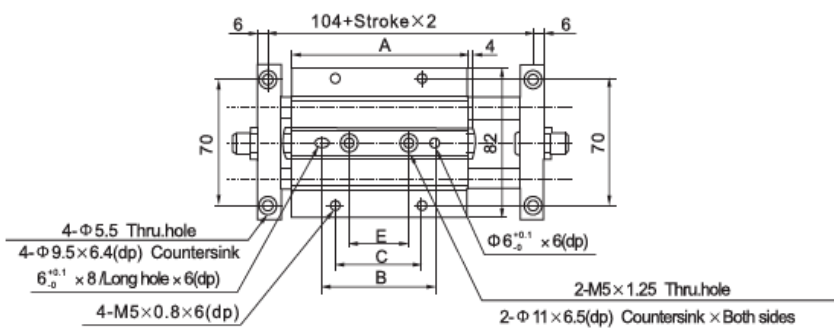
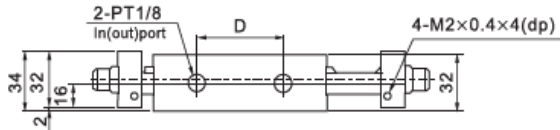
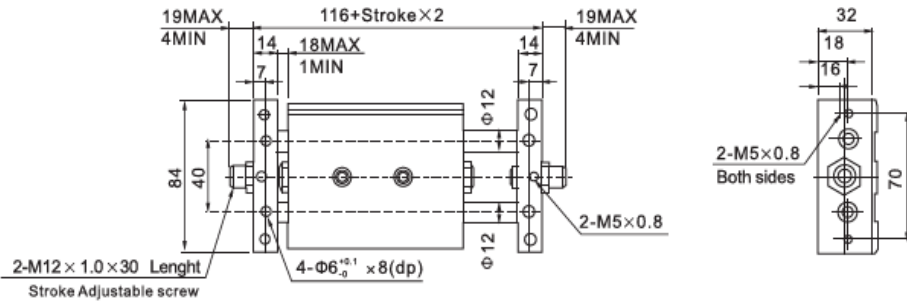
Item/ Stroke	25	50	75	100	125	150	175	200
A	86	111	136	161	186	211	236	261
B	55	70	105	130	150	150	150	150
C	-	-	75	100	120	120	120	120
D	48	73	98	123	148	173	198	223
E	25	50	45	70	90	90	90	90



STMB-20

Item/ Stroke	25	50	75	100	125	150	175	200	250
A	94	119	144	169	194	219	244	269	319
B	60	85	110	135	150	150	150	150	150
C	50	50	75	100	120	120	120	120	120
D	53	78	103	128	153	178	203	228	278
E	35	45	45	70	90	90	90	90	90

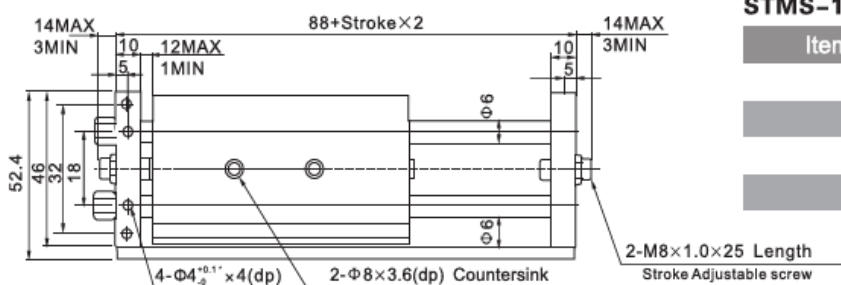
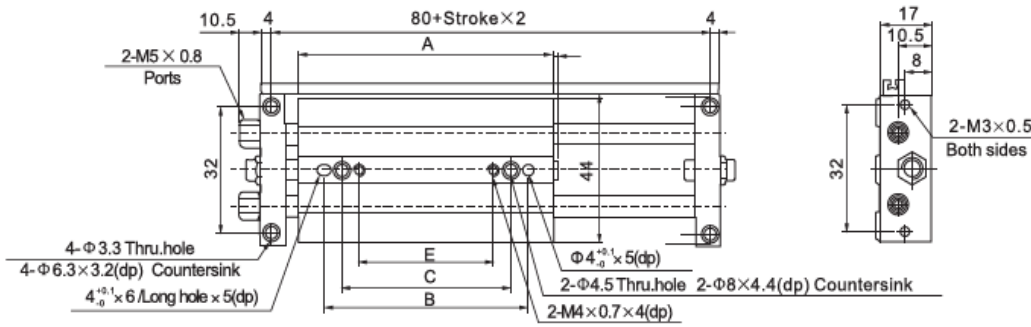




STMB-25

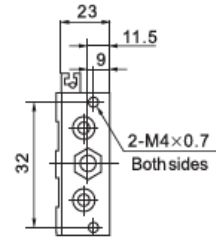
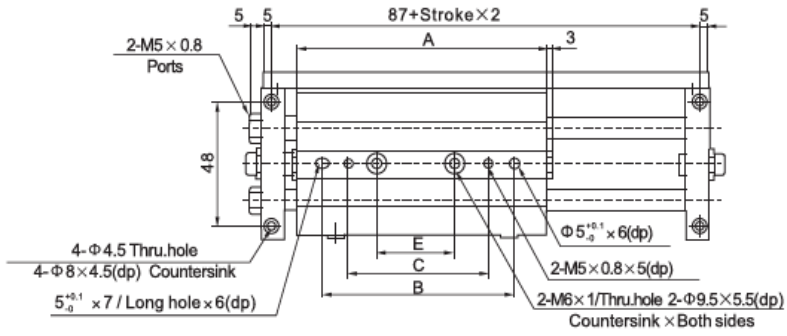
Item/ Stroke	25	50	75	100	125	150	175	200	250
A	101	126	151	176	201	226	251	276	326
B	65	90	115	140	140	140	140	140	140
C	50	50	75	100	100	100	100	100	100
D	50	75	100	125	150	175	200	225	175
E	35	45	45	70	95	100	100	100	100

2) STMS (Sliding Block Fixed Type)



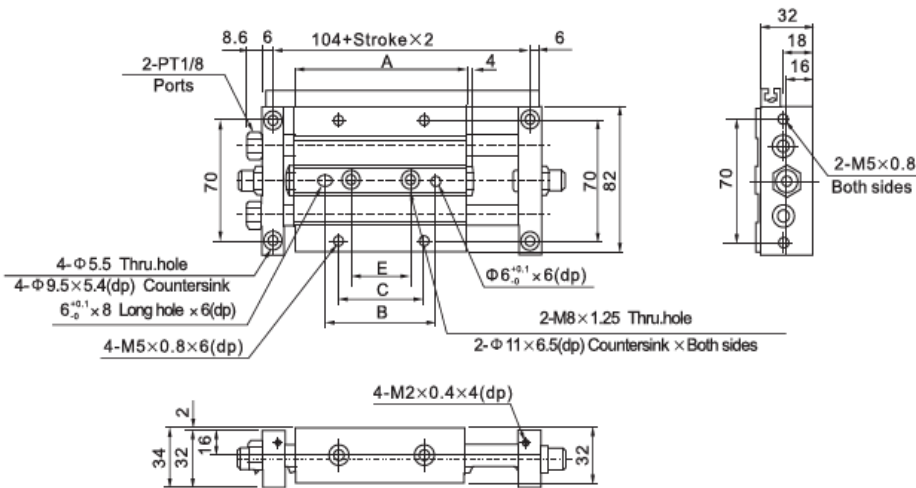
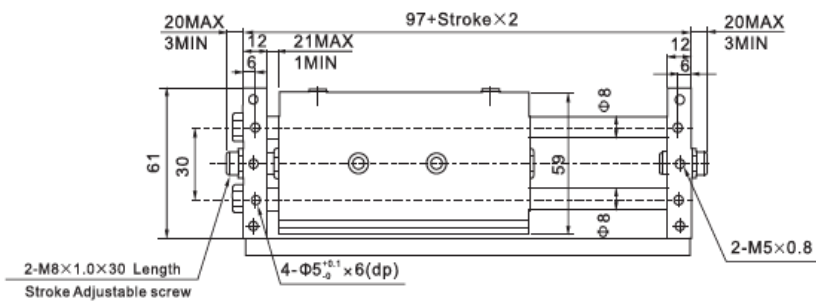
STMS-10

Item/Stroke	25	50	75	100
A	81	106	131	156
B	65	85	85	85
C	35	60	60	121
E	15	40	40	40



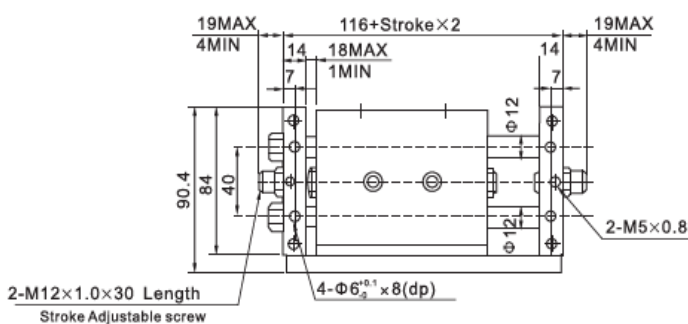
STMS-16

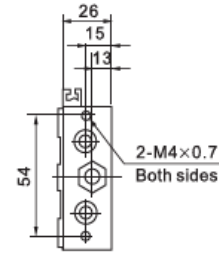
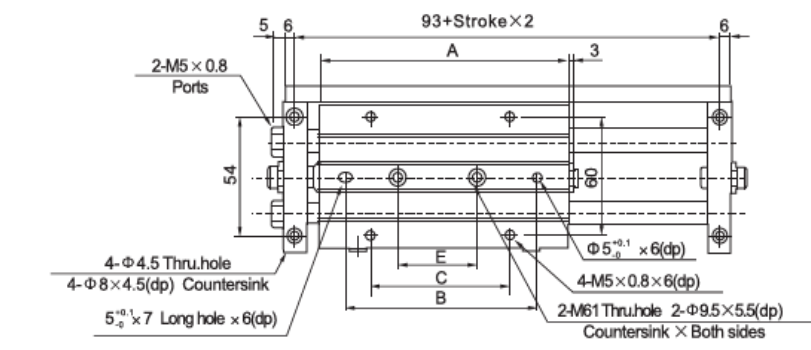
Item/Stroke	25	50	75	100	125	150	175	200
A	86	111	136	161	186	211	236	261
B	55	70	105	130	150	150	150	150
C	-	-	75	100	120	120	120	120
E	25	50	45	70	90	90	90	90



STMS-20

Item/Stroke	25	50	75	100	125	150	175	200	250
A	94	119	144	169	194	219	244	269	319
B	60	85	110	135	150	150	150	150	150
C	50	50	75	100	120	120	120	120	120
E	35	45	45	70	90	90	90	90	90





STMS-25

Item/ Stroke	25	50	75	100	125	150	175	200	250
A	101	126	151	176	201	226	251	276	326
B	65	90	115	140	140	140	140	140	140
C	50	50	75	100	100	100	100	100	100
E	35	45	45	70	95	100	100	100	100

