

# DNC Series ISO6431 Standard Cylinder:



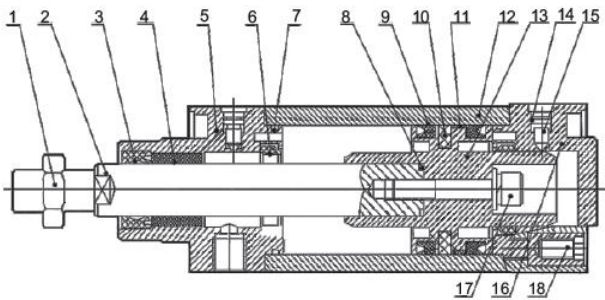
## 1. Ordering Code :

DNC	-	63	X	50	-	25	-	S	-	LB
↑		↑		↑		↑		↑		↑
Model		Bore size		Stroke		Adjust stroke		S:with magnet		Fixed type
DNC: Double action type						25:25mm		Blank: without magnet		Blank: Basic type
DNCD: Two axis double action type						50:50mm				LB:Foot mounting type
DNCJ: Two axis double action type with stroke adjustable						75:75mm				FA:front flange mounting type
										FB:rear-Flange mounting type
										CA:male single Earring type
										CB:female double earring type
										SDB: Back cover fixed type
										TC:Trunnion type

## 2.Characteristics:

- 1) This series of cylinder conforms to: ISO6431 standard
- 2) There is an adjustable buffers at the terminals of the cylinder except for mounted cushion.
- 3) We can offer different kinds of mounting style according to ISO 6431 standard, like Foot mounting, Front flange mounting, Rear-flange mounting, and so on.
- 4) Different thread type can be offered according to customers' requirements, e.g.:BSP, NPT etc.
- 5) Needn't lubricate on piston rod by oil

## 3.Internal Structure:



NO.	Designation	NO.	Designation
1	Piston Rod Nut	2	Piston Rod
3	Front Cover Seal Ring	4	Bearing
5	Front Cover	6	Buffering O-Ring
7	O-Ring	8	Piston rod O-Ring
9	Piston O-Ring	10	Magnet(Optional)
11	Wear Ring	12	Barrel
13	Piston	14	Cushion Seal
15	Cushion Needle	16	Back Over
17	Hex Socket Screw	18	Profile Bolt

## 4.Specification:

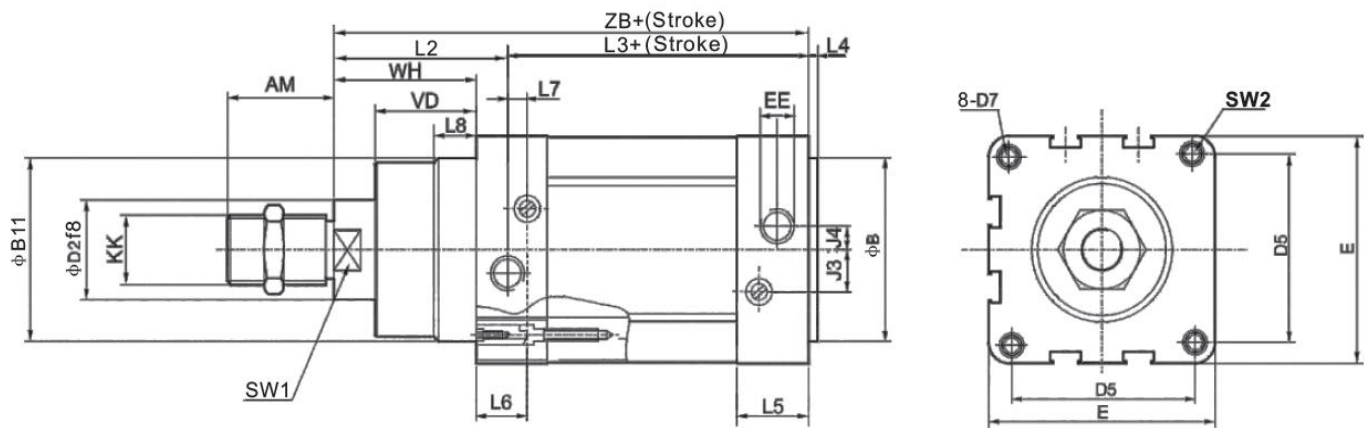
Bore (mm)	32	40	50	63	80	100	125
Action	Double Action						
Applicable medium	Filered Air						
Pressure range	0.1~0.9 MPa						
Proof pressure	1.35 MPa						
Temperature range	-5°C~70°C						
Speed range	50~800 mm/s						
Cushion style	Adjustable Air Buffer						
Cushion stroke	24 mm				32 mm		
Port size	G1/8	G1/4		G3/8		G1/2	

## 5. Stroke:

Bore	Standard Stroke	Buffer Stroke	Stroke Range
32	25 40 50 80 100 125 160 200 250 320 400 500	20	10~2000
40			
50			
63			
80			
100			
125		35	

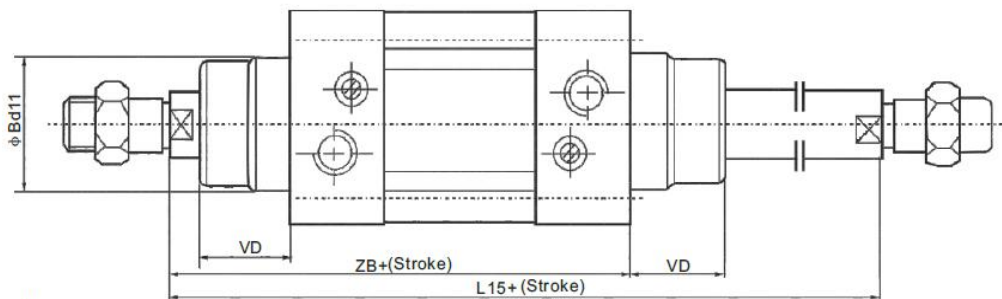
## 6. Overall and Dimension Sheet:

Normal type:



Bore	AM	B	D2	D5	D7	E	EE(G)	J3	J4	KK	L2	L3	L4	L5	L6	L7	L8	SW1	SW2	VD	WH	ZB
32	22	30	12	32.5	M6	45	1/8	6	5.2	M10×1.25	41.6	62.8	4	26	16	3.3	8	10	6	16	26	120
40	24	35	16	38	M6	54	1/4	8	6	M12×1.25	44	77	4	29.5	16	3.6	10	13	6	20	30	135
50	32	40	20	46.5	M8	64	1/4	10	8.5	M16×1.5	51	78	4	30	17	5.1	10	17	8	27	37	144
63	32	45	20	56.5	M8	75	3/8	12.4	10	M16×1.5	54	87	4	35.5	17	6.6	10	17	8	27	37	157.5
80	40	45	25	72	M10	93	3/8	12.5	8	M20×1.5	62.4	95.2	4	36	17	10.5	10	22	10	34.5	46	173.5
100	40	55	25	89	M10	110	1/2	11.8	10	M20×1.5	69.8	100.4	4	39	17	8	12.5	22	10	38	51	189
125	54	60	32	110	M12	134	1/2	13	8	M27×2	83	124	6	44.7	22	14	10	28	12	46	65	225

Double Axis Type:



Bore	32	40	50	63	80	100
B	30	35	40	45	45	55
L15	46	165	180	195	220	240
VD	16	20	27	27	34.5	38
ZB	120	135	143	158	174	189